



Relays & Contactors > Electromechanical Relays > DC Current Sensor



Relay & Contactor Type: **Protective Relay**

Contact Arrangement: **SPST NC**

Current Type: **DC**

Contact Current Rating: **.25 A**

Coil Voltage Rating: **28 VDC**

[All DC Current Sensor \(10\)](#)

Features

Product Type Features

Relay & Contactor Type	Protective Relay
------------------------	------------------

Configuration Features

Contact Number of Poles	1
Contact Arrangement	SPST NC

Electrical Characteristics

Contact Switching Voltage (Max)	28 VDC
Contact Current Rating	.25 A
Coil Voltage Rating	28 VDC

Body Features

Enclosure Type	Environmentally Sealed
----------------	------------------------

Termination Features

Main Termination & Connection Type	6-32 UNC-2A Stud
Coil Termination & Connection Type	6-32 UNC-2A Stud

Mechanical Attachment

Torque (Main)	7.5 in-lbs
Product Mounting Feature Type	Mounting Plate
Torque (Coil)	7.5 in-lbs



Product Mount Type

Chassis Mount

Operation/Application

Current Type

DC

Other

Contact Current Class

≤2 A

Product Compliance

For compliance documentation, visit the product page on [TE.com](https://www.te.com)>

EU RoHS Directive 2011/65/EU

Not Compliant

EU ELV Directive 2000/53/EC

Not Compliant

China RoHS 2 Directive MIIT Order No 32, 2016

有害物质含量超出标准 Restricted Substance(s) Above Threshold

EU REACH Regulation (EC) No. 1907/2006

Current ECHA Candidate List: JUNE 2025 (250)
 Candidate List Declared Against: JAN 2025 (247)
 SVHC > Threshold:
 Decamethylcyclopentasiloxane (D5) (.13% in Component Part)
 Pb (.27% in Component Part)

Article Safe Usage Statements:

Do not eat, drink or smoke when using this product. Wash thoroughly after handling. Recycle if possible and dispose of the article by following all applicable governmental regulations relevant to your geographic location.

Halogen Content

Not Yet Reviewed for halogen content

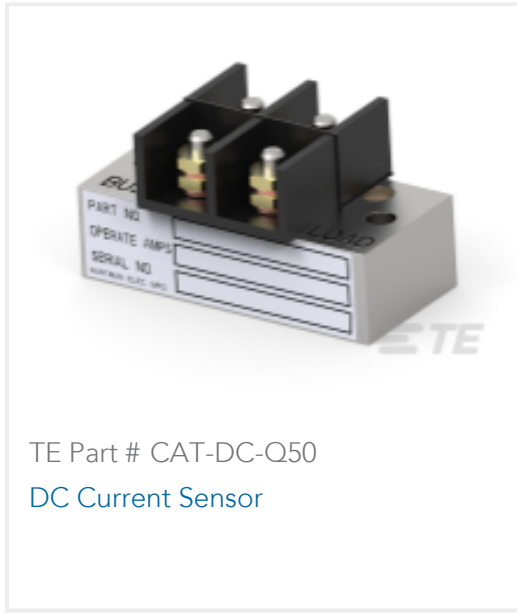
Solder Process Capability

Not applicable for solder process capability

Product Compliance Disclaimer

This information is provided based on reasonable inquiry of our suppliers and represents our current actual knowledge based on the information they provided. This information is subject to change. The part numbers that TE has identified as EU RoHS compliant have a maximum concentration of 0.1% by weight in homogenous materials for lead, hexavalent chromium, mercury, PBB, PBDE, DBP, BBP, DEHP, DIBP, and 0.01% for cadmium, or qualify for an exemption to these limits as defined in the Annexes of Directive 2011/65/EU (RoHS2). Finished electrical and electronic equipment products will be CE marked as required by Directive 2011/65/EU. Components may not be CE marked. Additionally, the part numbers that TE has identified as EU ELV compliant have a maximum concentration of 0.1% by weight in homogenous materials for lead, hexavalent chromium, and mercury, and 0.01% for cadmium, or qualify for an exemption to these limits as defined in the Annexes of Directive 2000/53/EC (ELV). Regarding the REACH Regulation, the information TE provides on SVHC in articles for this part number is based on the latest European Chemicals Agency (ECHA) 'Guidance on requirements for substances in articles' posted at this URL: <https://echa.europa.eu/guidance-documents/guidance-on-reach>

Compatible Parts



TE Part # CAT-DC-Q50
DC Current Sensor

Customers Also Bought



TE Part #CAT-D48-ST273
DEUTSCH Connector Solid Contacts



TE Part #DT06-2S
PLG, 2P, GRY, N



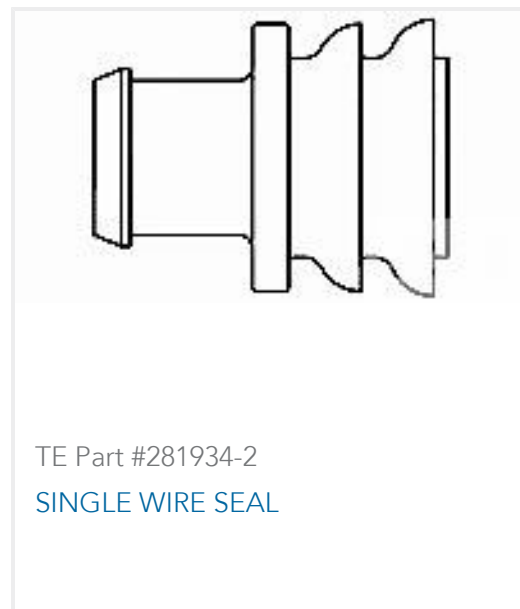
TE Part #CAT-D487-W416
Wedgelocks: DEUTSCH DT



TE Part #DT04-2P
REC, 2P, GRY, N



TE Part #114017-ZZ
SEALING PLUG, SIZE 12/16, WHT



TE Part #281934-2
SINGLE WIRE SEAL



TE Part #CAT-AM71-CH8172
AMP SUPERSEAL 1.5MM,
CONNECTOR HOUSING

Documents

[Product Drawings](#)
[Q50S \(FAA/PMA\)=RELAY](#)

English