

1572.42 to 1578.42 MHz, Marine Grade GPS Active Antenna, 28 dBi, SMA Connector, White, ABS Radome, RHCP Polarization



LCMARGPS1000

Features

- Ship Marine Waterproof GPS Antenna
- RHCP Polarization
- 1"-14 Female Threads
- 10 Meter RG58
- ABS material
- SMA-Male Connector
- 28 dBi LNA Gain
- IP67 rated antenna

Applications

- Boat Ship Marine GPS Navigation systems
- Modem Receiver
- Search and Rescue
- Geotagging
- GPS L1 Band

Description

The L-com LCMARGPS1000 is a single band marine grade GPS active antenna that ships on the same day as ordered. Our RHCP polarized antenna with 1572.42 to 1578.42 MHz frequency range has a SMA connector. This antenna with a white radome made of ABS has an overall length of 3.79 inch, a width of 3.79 inch and a weight of 1.54 lbs.

L-com's LCMARGPS1000 is a single band antenna operating from 1572.42 to 1578.42 MHz with 28 dBi gain. The antenna has a maximum input VSWR of 1.5:1.

L-com has one of the largest in-stock collections of marine grade GPS active antennas with our wide selection of superior quality RF parts, that ship same day. Make your online purchase right now to take advantage of our same-day shipping. For further information on similar products, our expert technical support and knowledgeable sales team can help you get the ideal single band GPS active antenna as per your requirement.

Configuration

Design	GPS Active
Band Type	Single
Radiation Pattern	Omni Directional
Polarization	RHCP
Connector Type	SMA
Number of Ports	1

Electrical Specifications

Description	Minimum	Typical	Maximum	Units
Frequency Range	1,572.42		1,578.42	MHz
Input VSWR			1.5:1	
Impedance		50		Ohms
Gain	25	28	31	dBi
Input Power			5	Watts

Click the following link (or enter part number in "SEARCH" on website) to obtain additional part information including price, inventory and certifications:
[1572.42 to 1578.42 MHz, Marine Grade GPS Active Antenna, 28 dBi, SMA Connector, White, ABS Radome, RHCP Polarization LCMARGPS1000](#)

1572.42 to 1578.42 MHz, Marine Grade GPS Active Antenna, 28 dBi, SMA Connector, White, ABS Radome, RHCP Polarization



LCMARGPS1000

Mechanical Specifications

Radome Material	ABS
Size	
Length	3.79 in [96.27 mm]
Width	3.79 in [96.27 mm]
Height	5.12 in [130.05 mm]
Weight	1.54 lbs [698.53 g]

Environmental Specifications

Temperature	
Operating Range	-40 to +80 deg C

Compliance Certifications (see [product page](#) for current document)

Plotted and Other Data

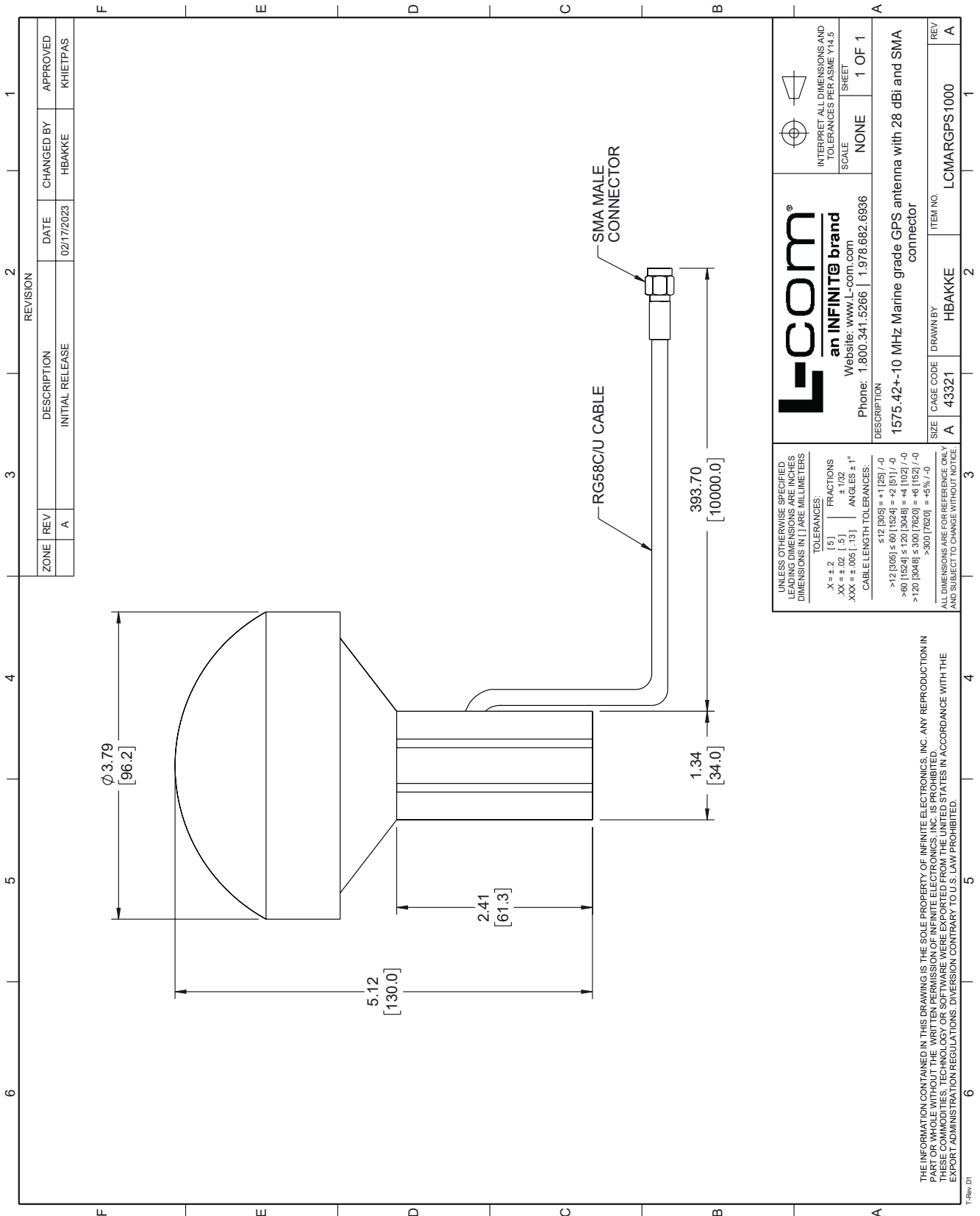
Notes:

1572.42 to 1578.42 MHz, Marine Grade GPS Active Antenna, 28 dBi, SMA Connector, White, ABS Radome, RHCP Polarization from L-com has same day shipment for domestic and International orders. Our portfolio includes coaxial cable assemblies, connectors, adapters and custom products as well as lightning and surge protectors, NEMA rated enclosures, and an RF product line which includes antennas, amplifiers, passive, and active components.

The information contained within this document is accurate to the best of our knowledge and representative of the part described herein. It may be necessary to make modifications to the part and/or the documentation of the part in order to impliment improvements. L-com reserves the right to make such changes as required. Unless otherwise stated, all specifications are nominal. L-com does not make any representation or warranty regarding the suitability of the part described herein for any particular purpose, and L-com does not assume liability arising out of the use of any part or document.

1572.42 to 1578.42 MHz, Marine Grade GPS Active Antenna, 28 dBi,
SMA Connector, White, ABS Radome, RHCP Polarization

L-com CAD Drawing



ZONE		REV		DESCRIPTION		DATE		CHANGED BY		APPROVED	
	A			INITIAL RELEASE		02/17/2023	HBAKKE		KHIETPAS		

L-com
an INFINITE brand
Website: www.L-com.com
Phone: 1.800.341.5266 | 1.978.682.6936

INTERPRET ALL DIMENSIONS AND TOLERANCES PER ASME Y14.5
SCALE NONE
SHEET 1 OF 1

DESCRIPTION
1575.42+-10 MHz Marine grade GPS antenna with 28 dBi and SMA connector

ITEM NO. LCMARGPS1000
DRAWN BY HBAKKE

UNLESS OTHERWISE SPECIFIED, LEADING DIMENSIONS ARE INCHES DIMENSIONS IN [] ARE MILLIMETERS
TOLERANCES:
X = +.2 [5] FRACTIONS
XX = +.02 [.5] ANGLES ±1°
XXX = ±.005 [.13]
CABLE LENGTH TOLERANCES:
<12 [305] ±.1 [25] / -0
>12 [305] ±.60 [1524] = +2 [51] / -0
>60 [1524] ±1.20 [3048] = +4 [102] / -0
>120 [3048] ±3.00 [7620] = +6 [152] / -0
>300 [7620] = +5% / -0
ALL DIMENSIONS ARE FOR REFERENCE ONLY AND SUBJECT TO CHANGE WITHOUT NOTICE

THE INFORMATION CONTAINED IN THIS DRAWING IS THE SOLE PROPERTY OF INFINITE ELECTRONICS, INC. ANY REPRODUCTION IN PART OR WHOLE WITHOUT THE WRITTEN PERMISSION OF INFINITE ELECTRONICS, INC. IS PROHIBITED. THESE COMMODITIES, TECHNOLOGY OR SOFTWARE WERE EXPORTED FROM THE UNITED STATES IN ACCORDANCE WITH THE EXPORT ADMINISTRATION REGULATIONS. DIVERSION CONTRARY TO U.S. LAW PROHIBITED.