

The history of revision change for the specification

Document	REV.	Modified date	Description
CYNVF-19Z-005	A0	2019.12.18	New Approval
CYNVF-19Z-005	A1	2020.2.5	1. Dec., 2019 -> Feb., 2020 2. Add Marking, Packaging
CYNVF-19Z-005	A2	2020.2.13	1. Add Impedance VS. Frequency Characteristic 2. Add No polarity on Schematic
CYNVF-19Z-005	A3	2020.3.26	1. Feb. -> Mar. 2. Add notice "AEC-Q200 qualified" in Features 3. Add "AEC-Q200" logo
CYNVF-19Z-005	A4	2021.4.8	1. Mar., 2020 -> Apr., 2021 2. Add the coplanarity in the dimensions 3. Year code 2020 = 0 -> 2021 = 1 4. Add Specifications Note6 For Flex Ray applications, DCR change to be $< 2\Omega$ at 125°C
CYNVF-19Z-005	A5	2023.12.07	1. Apr., 2021 -> Dec., 2023 2. Year code 2021 = 1 -> 2023 = 3 3. Add Specifications Note7: We do not recommend the use of conformal coating, please discuss with us if you have this requirement.

AEC-Q200

Wire-wound Common Mode Choke VFB3225 Series

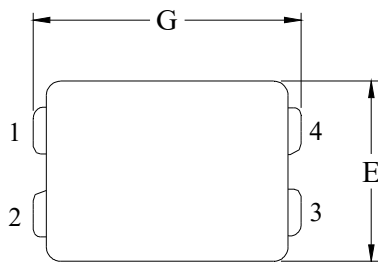
■ Features

Operating temperature -55°C~150°C
 Suitable for lead-free reflow soldering
 Compliance with RoHS and Halogen Free
 Bifilar winding
 AEC-Q200 qualified

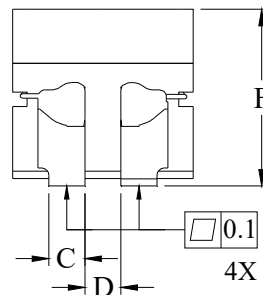
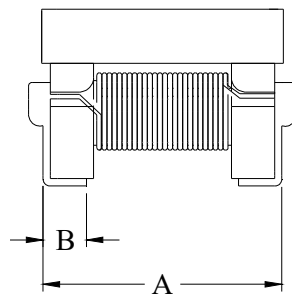
■ Application

Used radiation noise suppression for automotive CAN-BUS / CAN-FD / Flex Ray systems
 Used for Industrial field bus systems

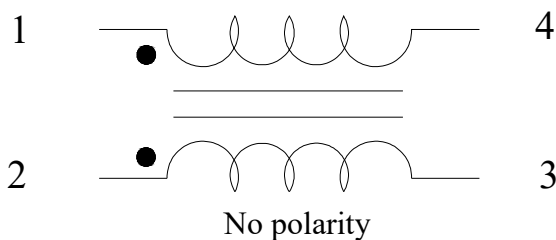
■ Outline Dimensions



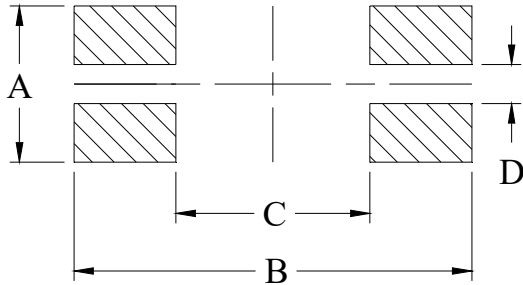
Code	Dimensions (mm)
A	3.4 Max.
B	0.6 ± 0.1
C	0.5 ± 0.1
D	0.5 ± 0.1
E	2.5 ± 0.2
F	2.6 Max.
G	4.0 Max.



■ Schematic



■ Recommend Land Pattern Dimensions



A	1.6
B	4.1
C	2.0
D	0.4

Unit : mm

■ Marking and Date Code

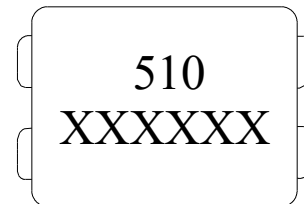
(1) Marking

The inductor is marked with a 3-digit code

Example -- 51 μ H → 510

(2) Date Code

X XX XXX
 (1) (2) (3)



Where (1) Year Code

Ex : 2023 = 3

(2) Weekly Code

Serial number : 01 ~ 53

(3) Taping No.

Serial number : 001 ~ ZZZ

Specifications

Part Number	Common Mode Inductance (μ H) Note2 \diamond	Stray Inductance (μ H) Note2	Common Mode Impedance (Ω) Note3		DCR (Ω) \diamond	Rated current (mA)	Rated Voltage (Vdc)	Insulation Resistance (M Ω)
		Typ.	Min.	Typ.	Max.	Max.	Max.	Min.
VFB3225-510	51	0.09	1000	2600	0.7	200	80	10
VFB3225-101	100	0.13	2200	5100	1.5 ^{Note6}	150	80	10

\diamond : Significant Characteristic

*Inductance Tolerance : -30% / +50%

Note 1. : All test data is referenced to 25°C ambient.

Note 2. : Test Condition:100KHz, 0.1Vrms

Note 3. : Test Condition:10MHz, 0.1Vrms

Note 4. : Operating Temperature Range -55°C to +150°C

Note 5. : Cleaning Process Note

(a) If this power choke is dipped in the cleaning agent, such as toluene, xylene, ketone, and other system, there is a possibility that the performance decreases greatly

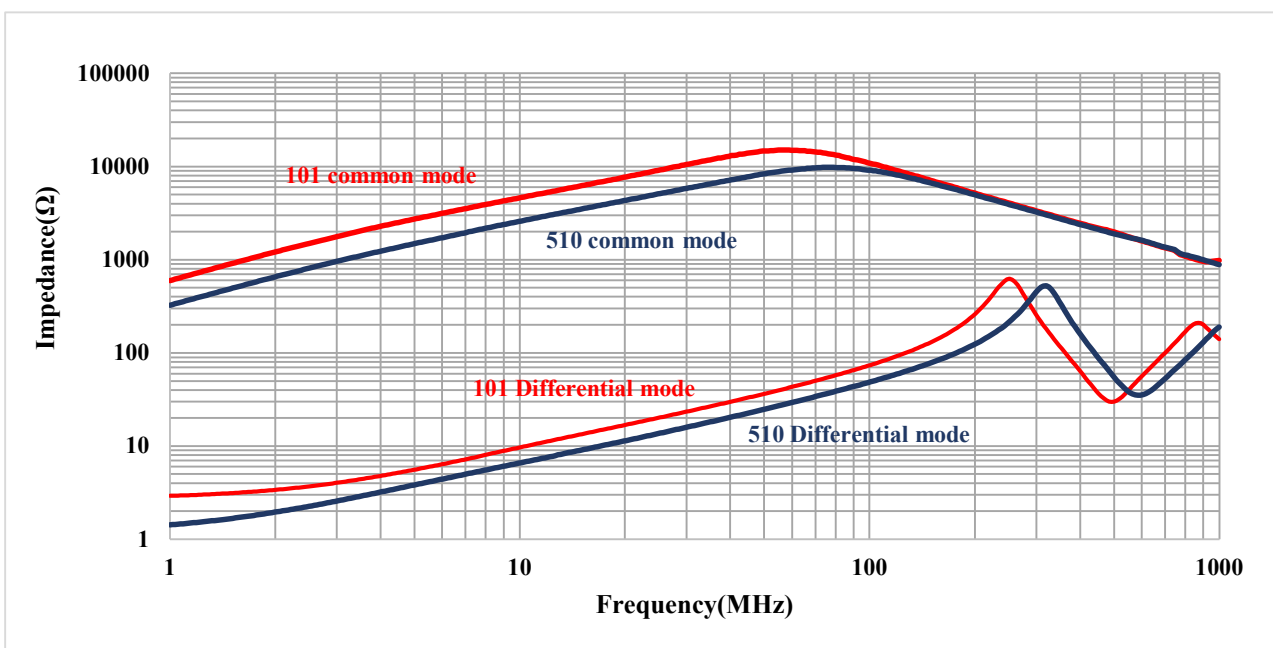
(b) The high power ultrasonic washing may damage the choke body.

(c) Please contact us if you need the cleaning via the above agents or ultrasonic washing.

Note 6. : For Flex Ray applications, DCR change to be $< 2\Omega$ at 125°C

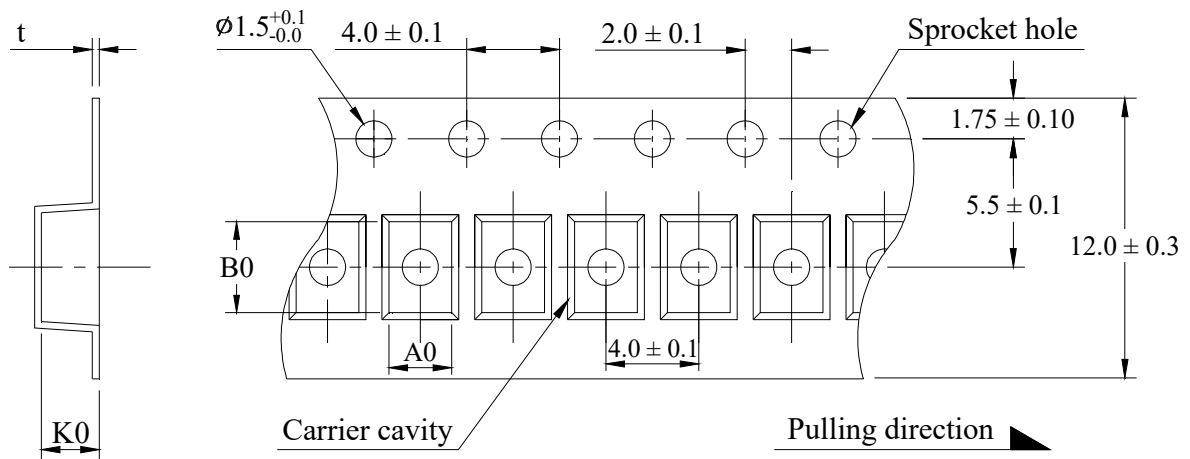
Note 7. : We do not recommend the use of conformal coating, please discuss with us if you have this requirement.

Impedance VS. Frequency Characteristic



■ Packaging

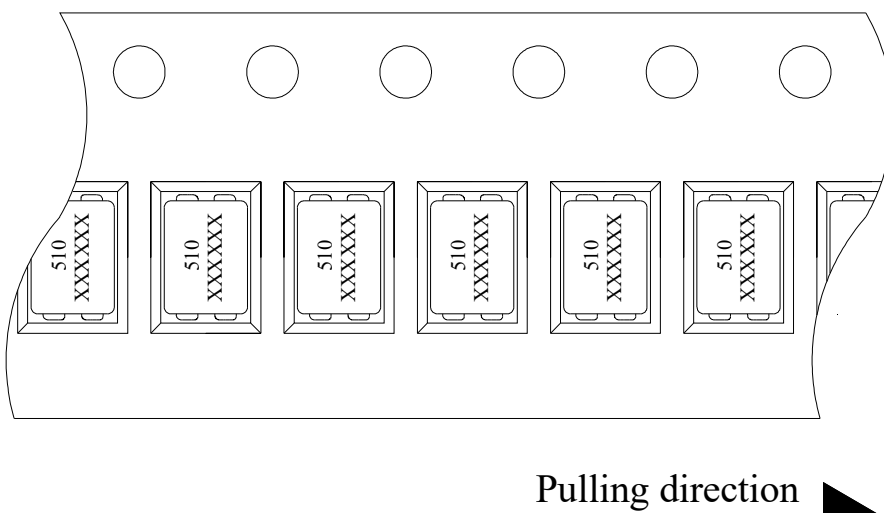
(1) Tape packaging dimensions



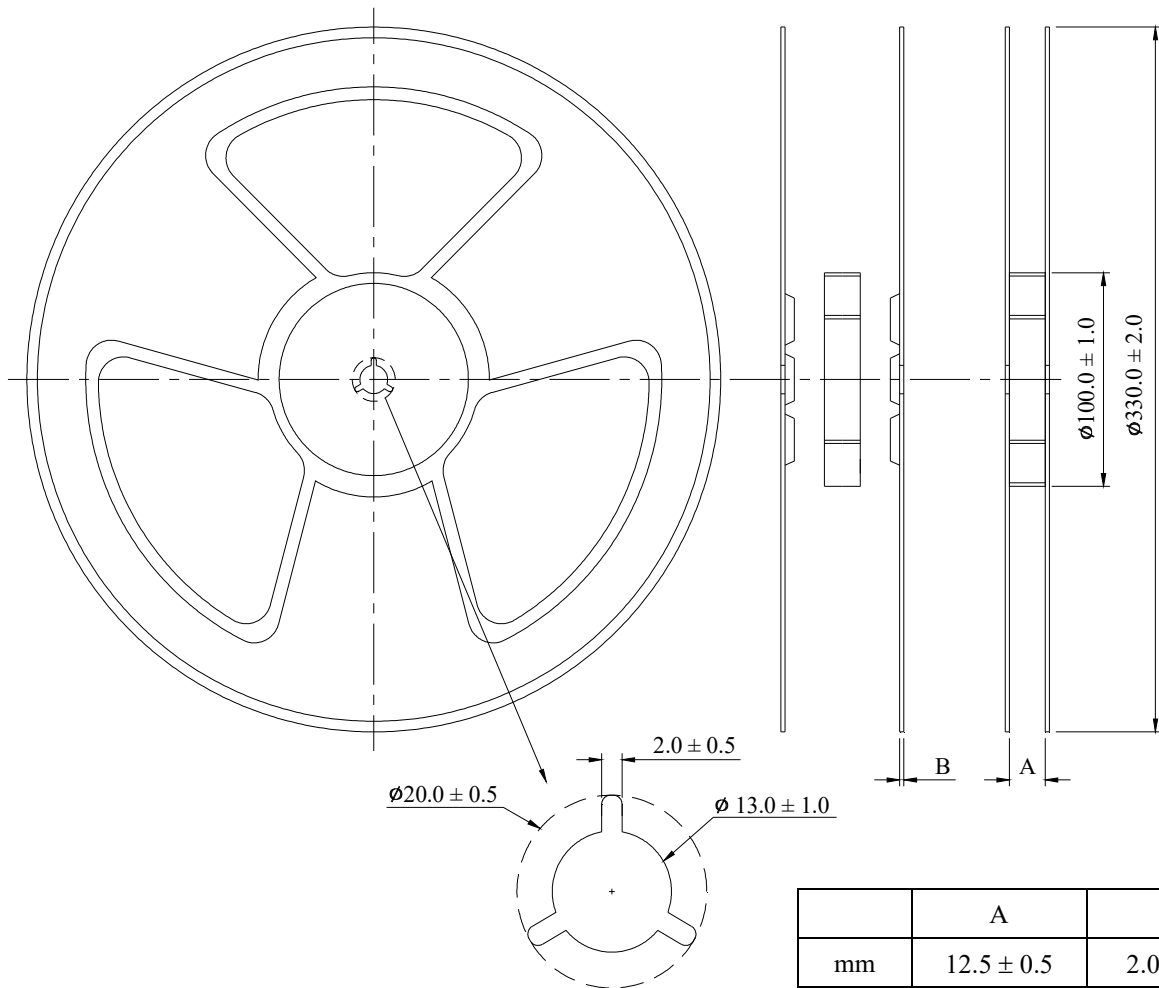
Dimensions Code (mm)				UNITS/REEL
A0	B0	K0	t	
2.7 ± 0.1	3.9 ± 0.1	2.8 ± 0.1	0.35 ± 0.10	5,000

(2) Tape direction

The direction shall be seen from the top cover tape side.



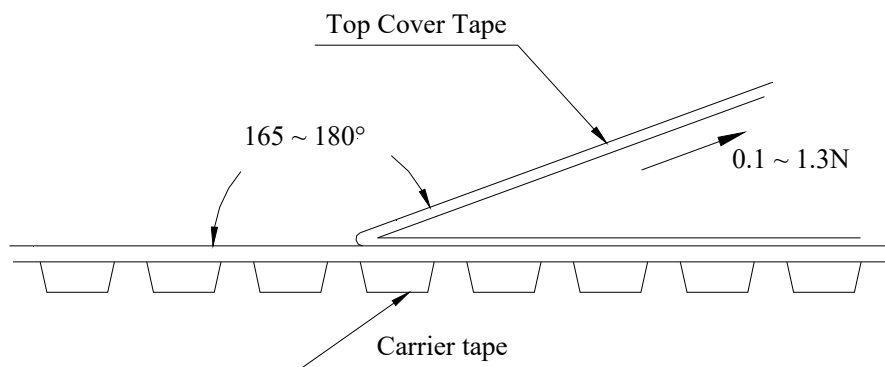
(3) Reel dimensions



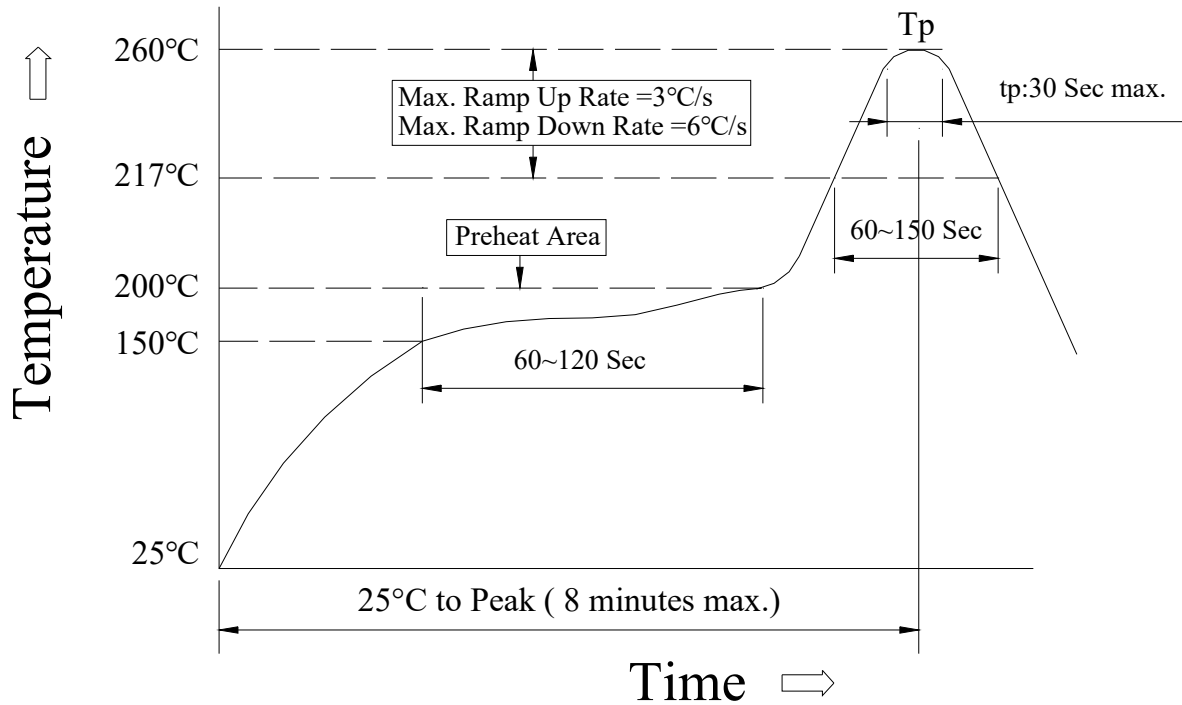
(4) Peel force of top cover tape

The peel speed shall be about 300 mm/minute.

The peel force of top cover tape shall be between 0.1 to 1.3N.



■ Reflow profile



(1) Reflow Soldering Method :

Reflow Soldering	Tp:255~260°C	Max.30 seconds (tp)
	≥ 217°C	60~150 seconds
Pre-Heat	150 ~ 200°C	60~120 seconds
Time 25°C to peak temperature	8 minutes max.	

(2) Soldering iron Method : 350 ± 5°C max.3 seconds