

FEATURES:

- High Density Fully Integration Module
- 1000mA Output Current
- Input Voltage Range from 4.5 V to 16 V
- Fixed Output Voltage :3.3V
- 88% Peak Efficiency at 12 VIN to 3.3 VOUT
- Force PWM mode
- Enable Function
- Protections (UVLO, OCP: Non-latching)
- Internal Soft Start
- Compact Size: 3.9mm*2.6mm*1.7mm
- Pb-free for RoHS compliant
- MSL 2, 260C Reflow

APPLICATIONS:

- DSL Modem / LCD TV
- Portable TV / Access Point Router

GENERAL DESCRIPTION:

The MUN123C01-SGB is non-isolated dc-dc converters. The PWM switching regulator, high frequency power inductor, and most of components are integrated in one hybrid package.

Other features include remote enable function, internal soft-start, non-latching over current protection, and input under voltage locked-out capability.

The low profile and compact size package (3.9mm × 2.6mm × 1.7mm) is suitable for automated assembly by standard surface mount equipment. The MUN123C01-SGB is Pb-free and RoHS compliance.

TYPICAL APPLICATION CIRCUIT & PACKAGE SIZE:

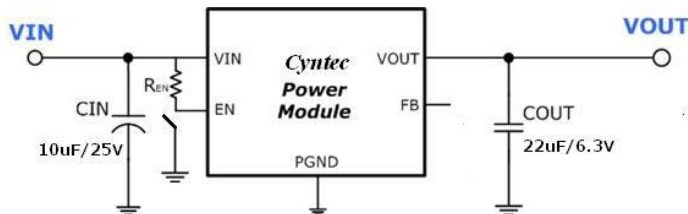


FIGURE.1 TYPICAL APPLICATION CIRCUIT

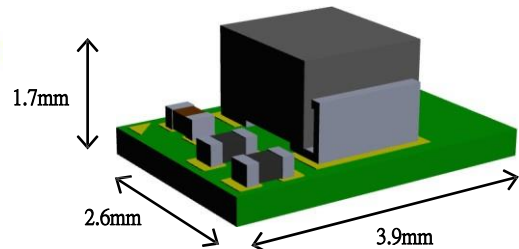
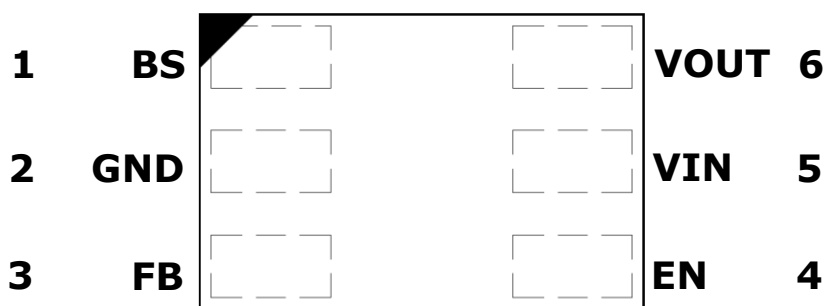


FIGURE.2 HIGH DENSITY uPOL MODULE

ORDER INFORMATION:

Part Number	Ambient Temp. Range (°C)	Package (Pb-Free)	MSL	Note
MUN123C01-SGB	-40 ~ +85	DFN	Level 2	-

Order Code	Packing	Quantity
MUN123C01-SGB	Tape and reel	1000

PIN CONFIGURATION:

TOP VIEW

Symbol	Pin No.	Description
BS	1	Boot-strap pin. No need connection.
GND	2	Power ground pin for signal, input, and output return path. This pin needs to connect to one or more ground planes directly.
FB	3	Feedback input.
EN	4	On/Off control pin for module.
VIN	5	Input pin. Decouple this pin to GND pin with 10uF ceramic cap
VOUT	6	Power output pin. Connect to output for the load.

ELECTRICAL SPECIFICATIONS:

CAUTION: Do not operate at or near absolute maximum rating listed for extended periods of time. This stress may adversely impact product reliability and result in failures not covered by warranty.

Parameter	Description	Min.	Typ.	Max.	Unit
■ Absolute Maximum Ratings					
VIN to GND	(Note 3)	-	-	+20	V
EN to GND	(Note 1)	-	-	VIN+0.3	V
Tc	Case Temperature of Inductor (Note 2)	-40	-	+125	°C
Tj	Junction Temperature, Main IC(Note 2)	-40	-	+150	°C
Tstg	Storage Temperature	-40	-	+125	°C
Ta	Ambient Temperature (Note 2)	-40	-	+105	°C
■ Recommendation Operating Ratings					
VIN	Input Supply Voltage	+4.5	-	+16	V
VOUT	Adjusted Output Voltage	-	3.3	-	V
Ta	Ambient Temperature	-40	-	+85	°C
Tc	Case Temperature of Inductor	-40	-	+110	°C
Tj	Junction Temperature, Main IC	-40	-	+125	°C
■ Thermal Information					
Rth(jchoke-a)	Thermal resistance from junction to ambient. (Note 1)	-	50	-	°C/W

NOTES:

1. Rth(jchoke-a) is measured with the component mounted on an effective thermal conductivity test board on 0 LFM condition. The test board size is 30mm×30mm×1.6mm with 4 layers 2oz. The test condition is complied with JEDEC EIJ/JESD 51 Standards.
2. Only for over stress test, the normal operation condition bases on recommendation operating ratings. Need to consider the thermal de-rating depend on application
3. Absolute maximum rating of VIN is from IC datasheet, please consider to set de-rating for your application.

ELECTRICAL SPECIFICATIONS: (Cont.)

Conditions: $T_A = 25\text{ }^\circ\text{C}$, unless otherwise specified. Test Board Information: 30mm×30mm×1.6mm, 4 layers 2oz. The output ripple and transient response measurement is short loop probing and 20MHz bandwidth limited. $V_{IN} = 12\text{V}$, $V_{OUT} = 3.3\text{V}$, $C_{in} = 10\mu\text{F}/25\text{V}/1210/\text{X7R}$, $C_{out} = 22\mu\text{F}/10\text{V}/1210/\text{X7R}$.

Symbol	Parameter	Conditions	Min.	Typ.	Max.	Unit
Switching Frequency				1.2		MHz
■ Input Characteristics						
$I_{Q(IN)}$	Input supply bias current	$V_{IN} = 12\text{V}$, $I_{OUT} = 0\text{A}$ EN = With pull-up $100\text{k}\Omega$ to V_{IN} $V_{OUT} = 3.3\text{V}$	-	10	-	mA
$I_{S(IN)}$	Input supply current	$I_{OUT} = 5\text{mA}$ $V_{OUT} = 3.3\text{V}$	-	11	-	mA
		$I_{OUT} = 100\text{mA}$ $V_{OUT} = 3.3\text{V}$	-	37	-	mA
		$I_{OUT} = 1000\text{mA}$ $V_{OUT} = 3.3\text{V}$	-	320	-	mA
■ Output Characteristics						
$I_{OUT(DC)}$	Output continuous current range	$V_{IN}=12\text{V}$, $V_{OUT}=3.3\text{V}$	0	-	1000	mA
V_O	Fixed Output voltage 3.3V	$V_{IN}=12\text{V}$, $T_a=25^\circ\text{C}$, $I_{OUT}=10\text{mA}$	-1.0	-	+1.0	% $V_{O(SET)}$
$\frac{\Delta V_{OUT}}{\Delta V_{IN}}$	Line regulation accuracy	$V_{IN} = 12\text{V}$ to 5V $V_{OUT} = 3.3\text{V}$, $I_{OUT} = 1000\text{mA}$		0.2		% $V_{O(SET)}$
$\frac{\Delta V_{OUT}}{\Delta I_{OUT}}$	Load regulation accuracy	$I_{OUT} = 0\text{A}$ to 1000mA $V_{IN} = 12\text{V}$, $V_{OUT} = 3.3\text{V}$		0.5		% $V_{O(SET)}$
$V_{OUT(AC)}$	Output ripple voltage	$V_{IN} = 5\text{V}$, $V_{OUT} = 3.3\text{V}$ $I_{OUT} = 1000\text{mA}$		9		mVp-p
		$V_{IN} = 12\text{V}$, $V_{OUT} = 3.3\text{V}$ $I_{OUT} = 1000\text{mA}$		13		mVp-p

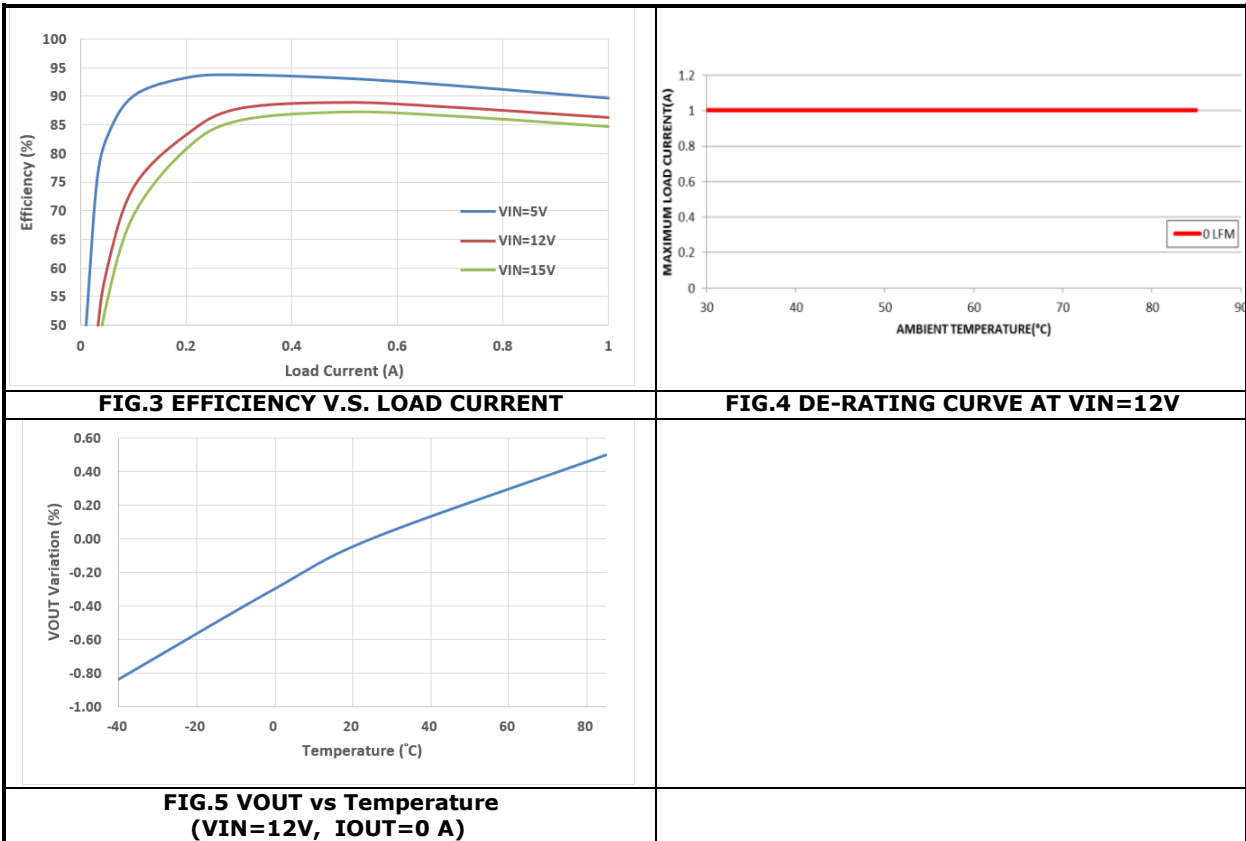
ELECTRICAL SPECIFICATIONS: (Cont.)

Conditions: $T_A = 25\text{ }^\circ\text{C}$, unless otherwise specified. Test Board Information: 30mm×30mm×1.6mm, 4 layers 2oz. The output ripple and transient response measurement is short loop probing and 20MHz bandwidth limited. $V_{IN} = 12\text{V}$, $V_{OUT} = 3.3\text{V}$, $C_{in} = 10\mu\text{F}/25\text{V}/1210/\text{X7R}$, $C_{out} = 22\mu\text{F}/10\text{V}/1210/\text{X7R}$.

Symbol	Parameter	Conditions	Min.	Typ.	Max.	Unit
■ Control Characteristics						
V_{EN_TH}	Rising threshold voltage		1.5			V
	Falling threshold voltage				0.4	V
■ Fault Protection						
V_{UVLO_TH}	Input under voltage lockout threshold	Falling	-		4.5	V
T_{OTP}	Over temp protection		-	150		$^\circ\text{C}$
I_{LIMIT_TH}	Current limit threshold	Peak value of inductor current	1.8	-	3.0	A
I_{SCP}	Short circuit protection	Auto-recovery	-	-	-	-

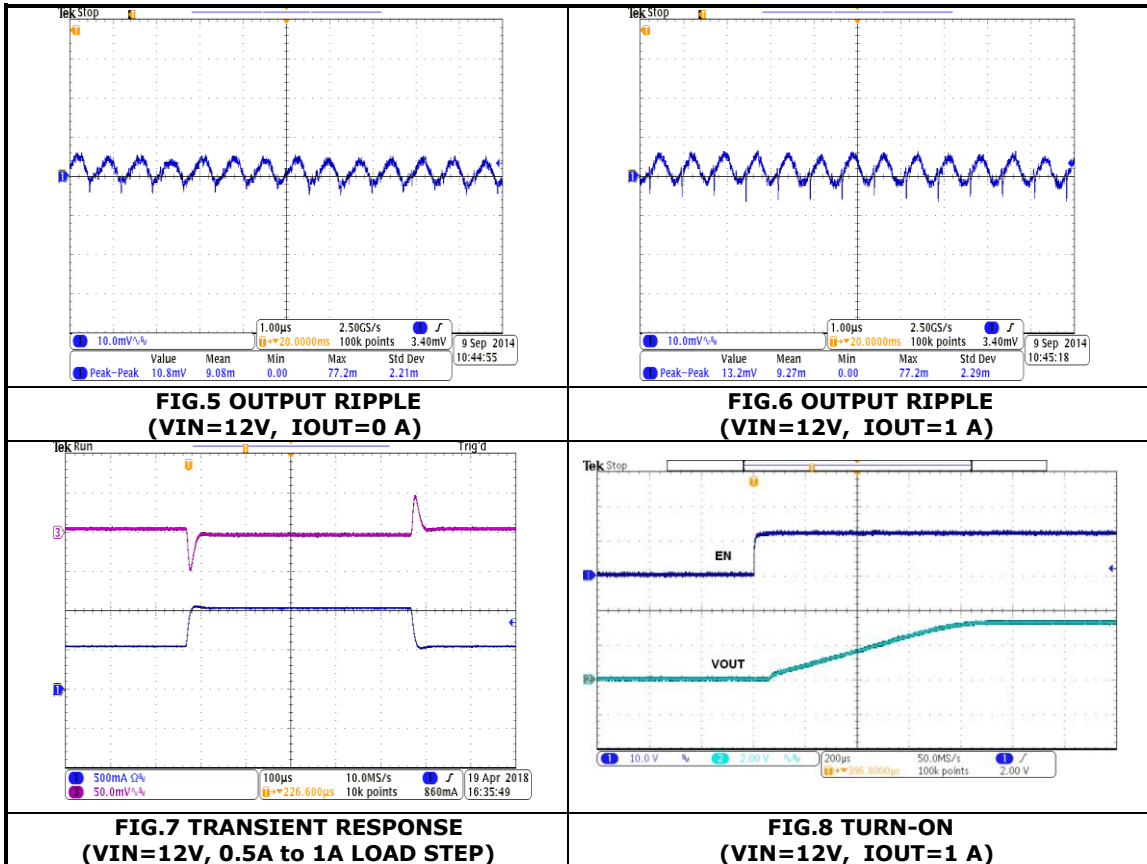
TYPICAL PERFORMANCE CHARACTERISTICS:

Conditions: $T_A = 25\text{ }^\circ\text{C}$, unless otherwise specified. Test Board Information: 30mm×30mm×1.6mm, 4 layers 2oz. The output ripple and transient response measurement is short loop probing and 20MHz bandwidth limited. $C_{in} = 10\mu\text{F}/25\text{V}/1210/\text{X}7\text{R}$, $C_{out} = 22\mu\text{F}/10\text{V}/1210/\text{X}7\text{R}$. The following figures provide the typical characteristic curves at $V_{OUT}=3.3\text{V}$.



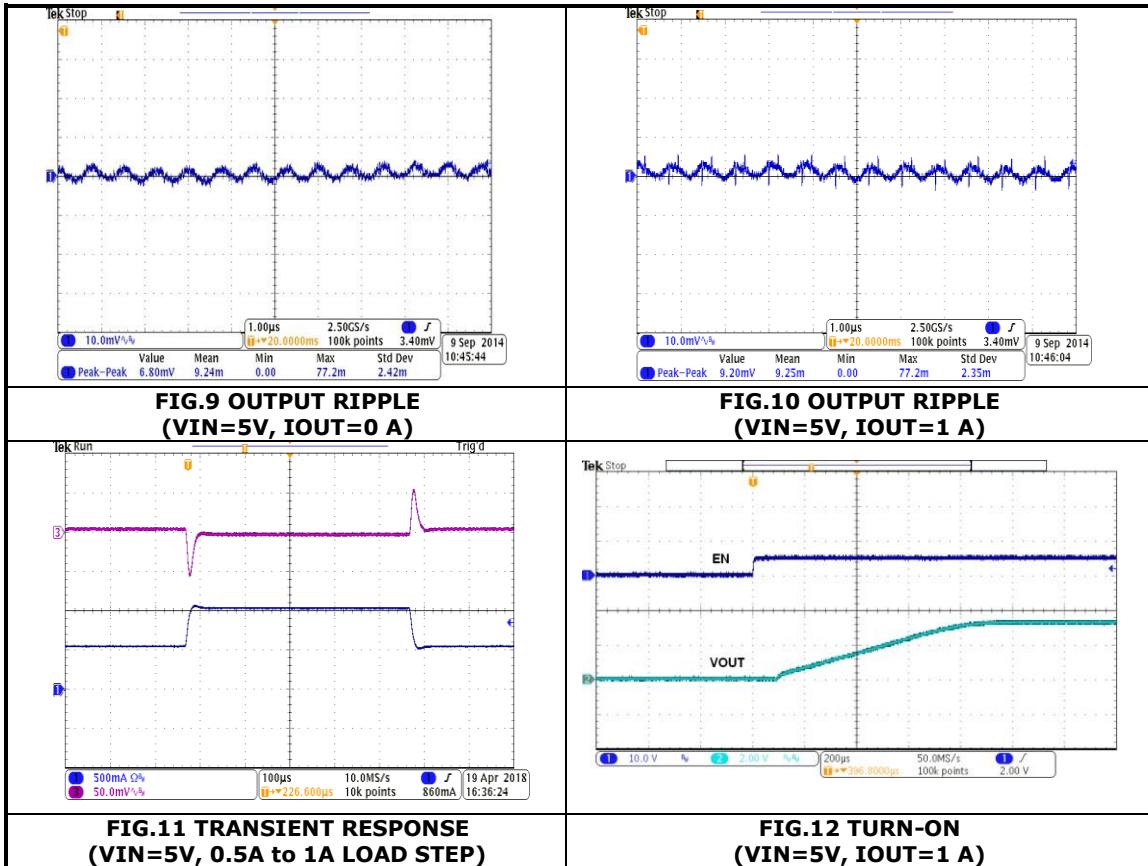
TYPICAL PERFORMANCE CHARACTERISTICS:

Conditions: $T_A = 25\text{ }^\circ\text{C}$, unless otherwise specified. Test Board Information: 30mm×30mm×1.6mm, 4 layers 2oz. The output ripple and transient response measurement is short loop probing and 20MHz bandwidth limited. $C_{in} = 10\mu\text{F}/25\text{V}/1210/\text{X7R}$, $C_{out} = 22\mu\text{F}/10\text{V}/1210/\text{X7R}$. The following figures provide the typical characteristic curves at $V_{OUT}=3.3\text{V}$.



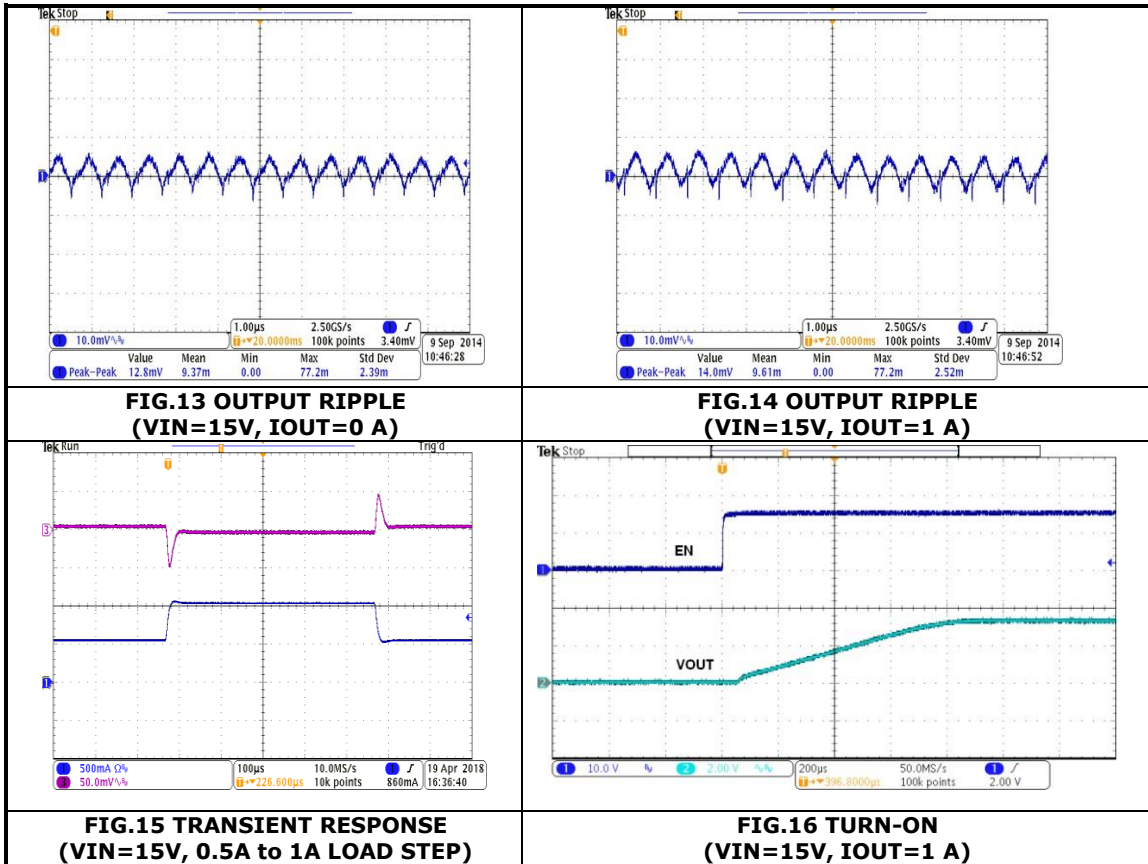
TYPICAL PERFORMANCE CHARACTERISTICS:

Conditions: $T_A = 25\text{ }^\circ\text{C}$, unless otherwise specified. Test Board Information: 30mm×30mm×1.6mm, 4 layers 2oz. The output ripple and transient response measurement is short loop probing and 20MHz bandwidth limited. $C_{in} = 10\mu\text{F}/25\text{V}/1210/\text{X7R}$, $C_{out} = 22\mu\text{F}/10\text{V}/1210/\text{X7R}$. The following figures provide the typical characteristic curves at $V_{OUT}=3.3\text{V}$.



TYPICAL PERFORMANCE CHARACTERISTICS:

Conditions: $T_A = 25\text{ }^\circ\text{C}$, unless otherwise specified. Test Board Information: 30mm×30mm×1.6mm, 4 layers 2oz. The output ripple and transient response measurement is short loop probing and 20MHz bandwidth limited. $C_{in} = 10\mu\text{F}/25\text{V}/1210/\text{X7R}$, $C_{out} = 22\mu\text{F}/10\text{V}/1210/\text{X7R}$. The following figures provide the typical characteristic curves at $V_{OUT}=3.3\text{V}$.



APPLICATIONS INFORMATION:**SAFETY CONSIDERATIONS:**

Certain applications and/or safety agencies may require fuses at the inputs of power conversion components. Fuses should also be used when there is the possibility of sustained input voltage reversal which is not current limited. For greatest safety, we recommend a fast blow fuse installed in the ungrounded input supply line. The installer must observe all relevant safety standards and regulations. For safety agency approvals, install the converter in compliance with the end-user safety standard.

INPUT FILTERING:

The module should be connected source with low AC impedance source supply and a highly inductive in which line inductance can affect the stability of the module. It need to place an input capacitance directly to the input pin of the module, to minimize input ripple voltage and ensure module stability.

OUTPUT FILTERING:

To reduce output ripple and improve the dynamic response as step load changes. It is need the additional capacitor. Low ESR polymer and ceramic capacitors are recommended to improve the output ripple and dynamic response of the module.

APPLICATIONS INFORMATION: (Cont.)
LOAD TRANSIENT CONSIDERATIONS:

The MUN123C01-SGB integrates the compensation components to achieve good stability and fast transient responses. In some applications, adding a 100pF ceramic cap between VOUT and FB may further speed up the load transient responses and is thus recommended for applications with large load transient step requirements.

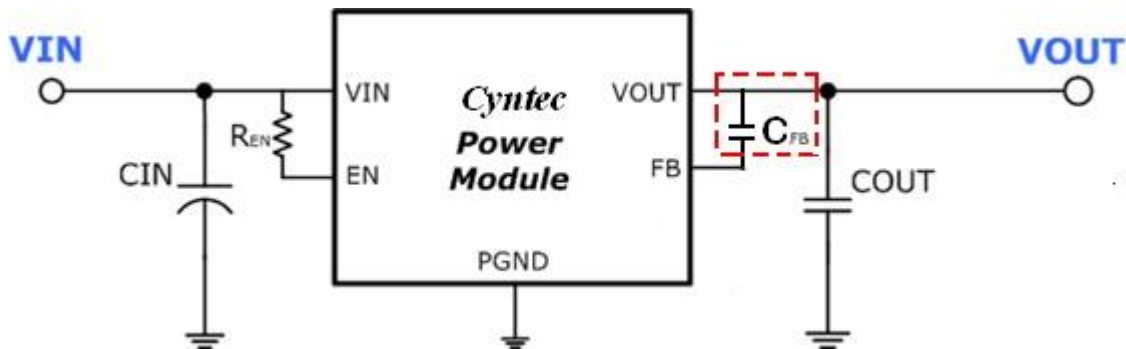
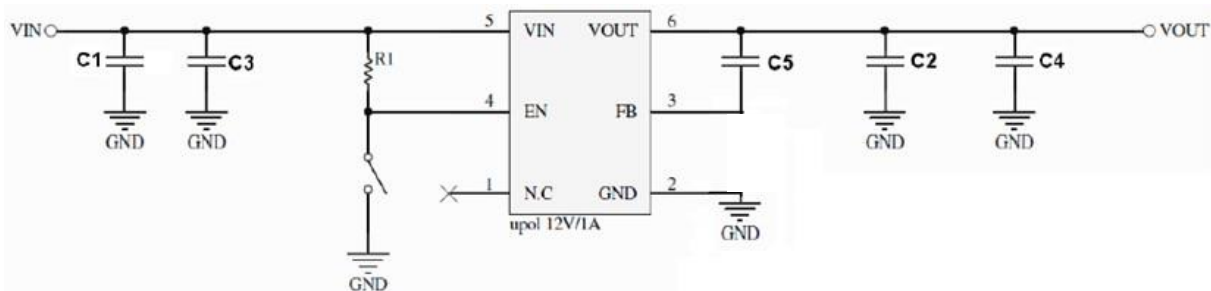

FIG.17 TRANSIENT RESPONSES APPLICATION
REFERENCE CIRCUIT FOR GENERAL APPLICATION:

Figure 18 shows the module application schematics for input voltage +12V and turn on by input voltage directly through enable resistor (R1).


FIG.18 REFERENCE CIRCUIT FOR GENERAL APPLICATION

APPLICATIONS INFORMATION: (Cont.)
RECOMMEND PCB LAYOUT:

Figure 19 shows recommendation PCB layout for using uPOL module,

- C3/C4 are bypass filter for high frequency noise.
- Design paths of main current wide and short as possible. Make the traces of the main current paths as short and wide as possible.
- Place the input/out capacitor as close as possible to the uPOL module pins.
- Ensure all feedback network connections are short and direct.
- The GND pin and should be connected to a strong ground plane for heat dissipating.

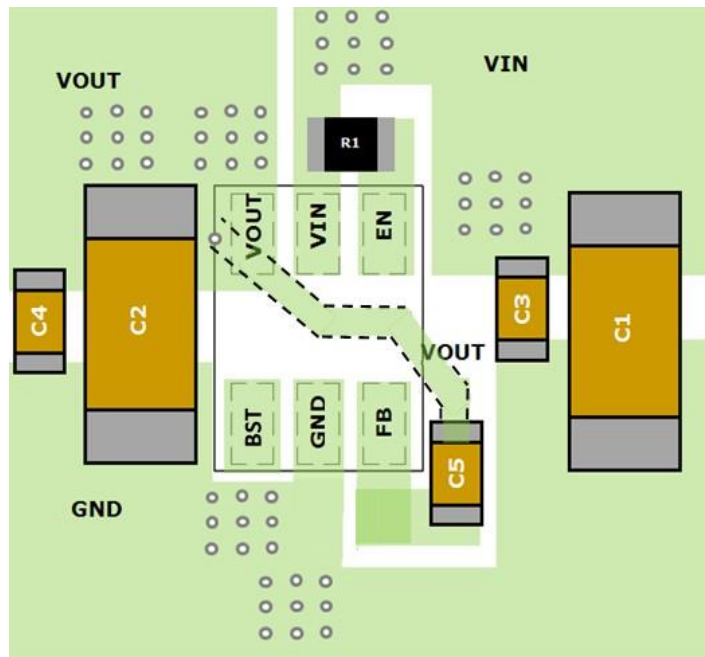
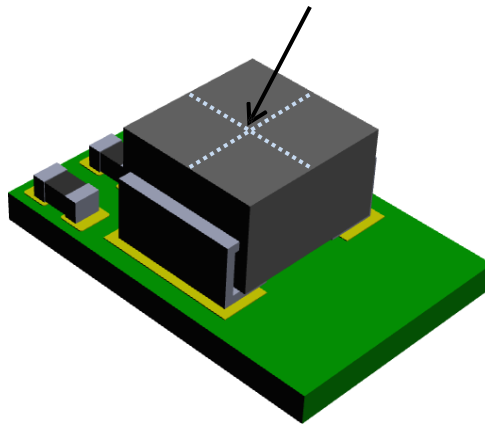


FIG.19 PCB LAYOUT

APPLICATIONS INFORMATION: (Cont.)**Thermal Considerations:**

All of thermal testing condition is complied with JEDEC EIJ/JESD 51 Standards. Therefore, the test board size is 30mm×30mm×1.6mm with 4 layers 2oz. The case temperature of module sensing point is shown as Figure 20. Then $R_{th(jchoke-a)}$ is measured with the component mounted on an effective thermal conductivity test board on 0 LFM condition. The MUN123C01-SGB module is designed for using when the case temperature is below 125°C regardless the change of output current, input/output voltage or ambient temperature.

Sensing point (Defined case temperature)

**FIG 20. Case Temperature Sensing Point**

REFLOW PARAMETERS:

Lead-free soldering process is a standard of electronic products production. Solder alloys like Sn/Ag, Sn/Ag/Cu and Sn/Ag/Bi are used extensively to replace the traditional Sn/Pb alloy. Sn/Ag/Cu alloy (SAC) is recommended for this power module process. In the SAC alloy series, SAC305 is a very popular solder alloy containing 3% Ag and 0.5% Cu and easy to obtain. Figure 21 shows an example of the reflow profile diagram. Typically, the profile has three stages. During the initial stage from room temperature to 150°C, the ramp rate of temperature should not be more than 3°C/sec. The soak zone then occurs from 150°C to 200°C and should last for 60 to 120 seconds. Finally, keep at over 217°C for 60~150 seconds to melt the solder and make the peak temperature at the range from 255°C to 260°C (Do not exceed 30 sec). It is noted that the time of peak temperature should depend on the mass of the PCB board. The reflow profile is usually supported by the solder vendor and one should adopt it for optimization according to various solder type and various manufacturers' formulae.

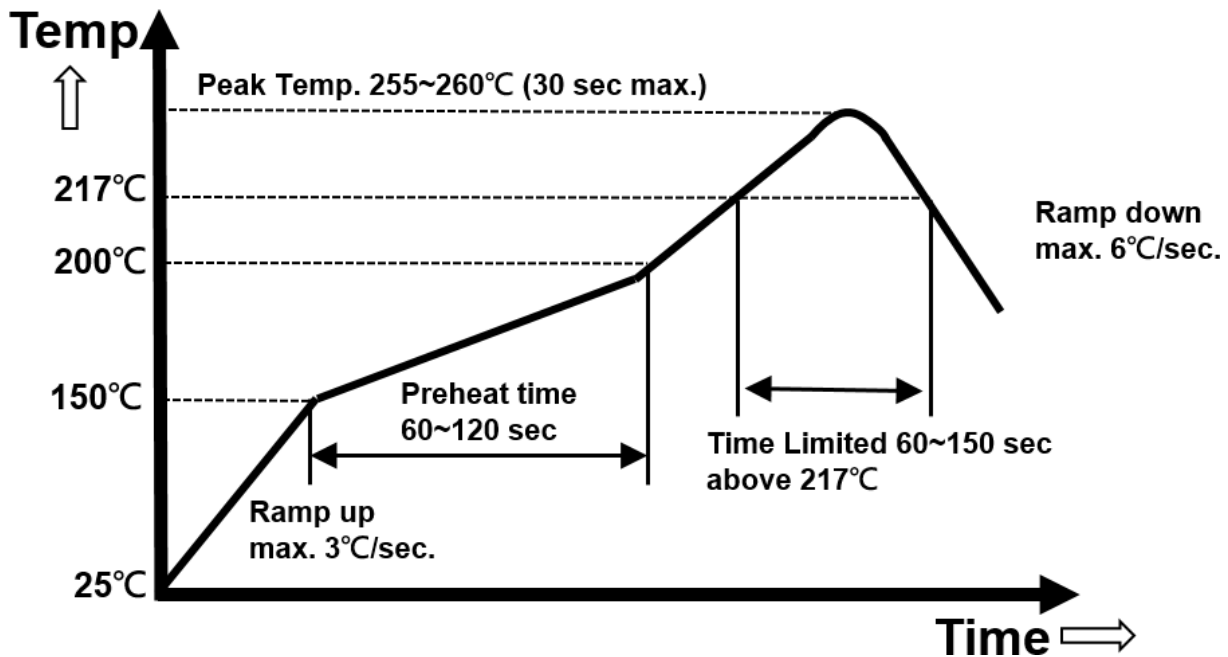
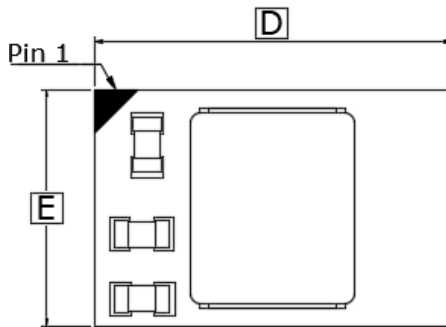


FIG.21 Recommendation Reflow Profile
(Not to scale)

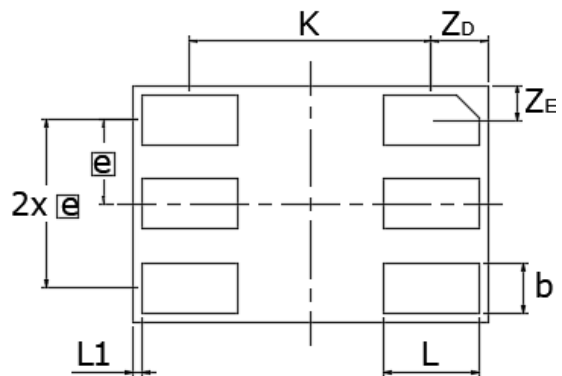
*Refer to the Classification Reflow Profile of J-STD-020.

PACKAGE OUTLINE DRAW:

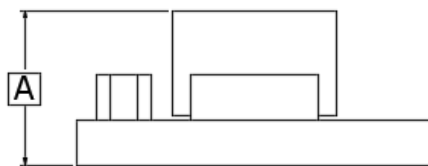
Unit:mm



TOP VIEW



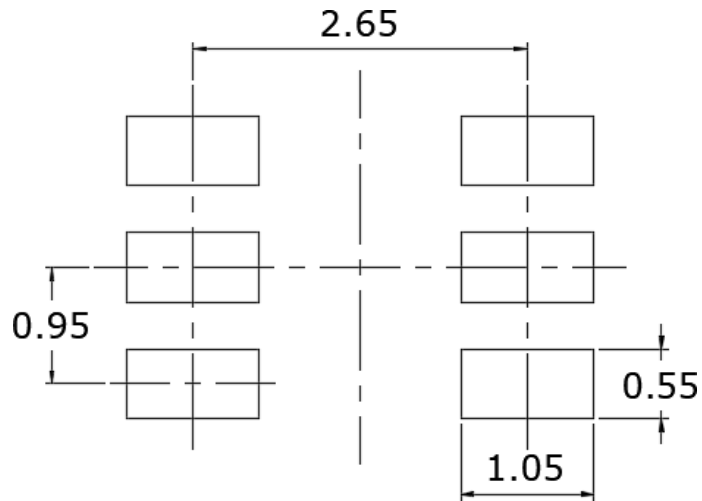
BOTTOM VIEW



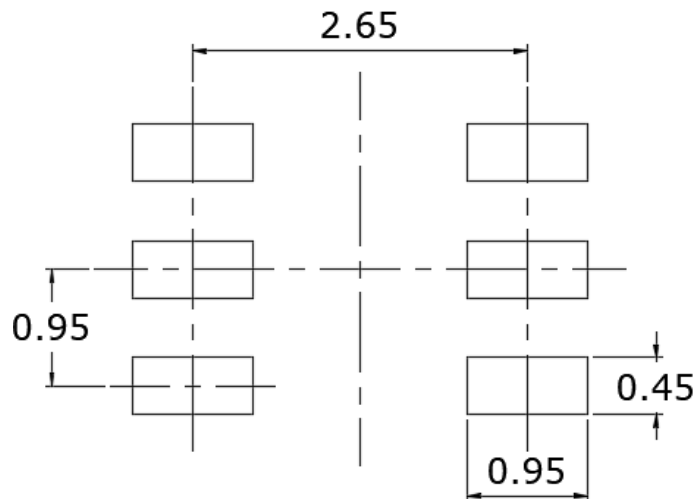
SIDE VIEW

DIM	MILLIMETERS		
	MIN	NOM	MAX
A	-	1.50	1.70
D	3.8	3.9	4.0
E	2.5	2.6	2.7
K	2.55	2.65	2.75
e	0.85	0.95	1.05
b	0.45	0.55	0.65
L	0.95	1.05	1.15
L1	0.00	0.10	0.20
Z _D	0.50	0.65	0.80
Z _E	0.25	0.40	0.55

LAND PATTERN REFERENCE:



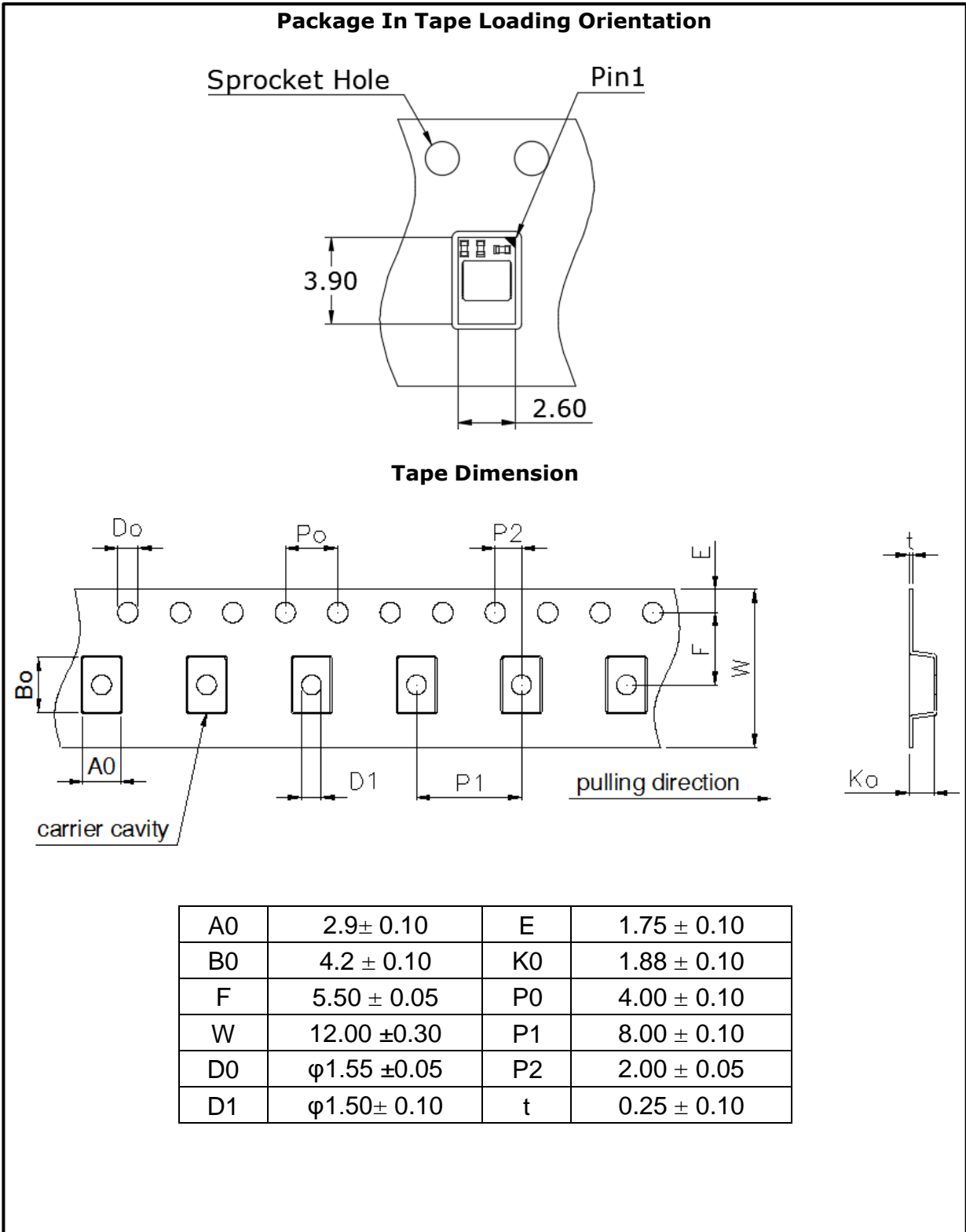
RECOMMENDED LAND PATTERN

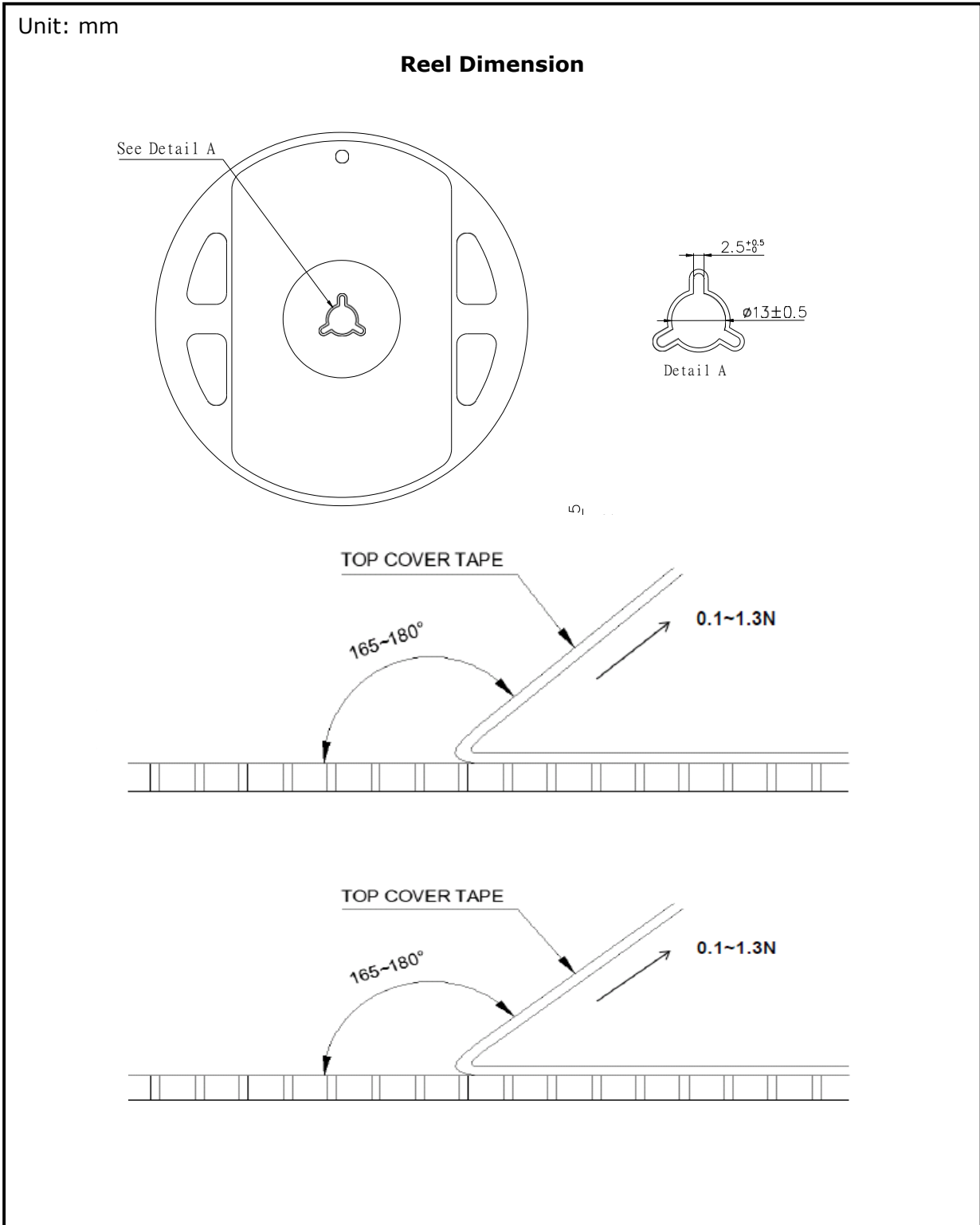


RECOMMENDED STENCIL PATTERN

*Based on 0.1~0.15mm thickness stencil (Reference only)

*Recommended solder paste coverage 55~100%

PACKING REFERENCE:


PACKING REFERENCE: (Cont.)

REVISION HISTORY:

Date	Revision	Changes
2018.08.03	P00	Release the preliminary spec
2018.10.24	P01	Modify the AMR ambient temperature
2019.1.09	P02	Modify the AMR data
2019.03.08	P03	Modify the Package Outline
2019.05.28	P04	Add SCP description
2022.12.23	P05	<ol style="list-style-type: none">Page 13, add information "2oz". Correct the case temperature to 125°C.Page 14, update reflow parameters and FIG.21.Page 16, change the thickness description of stencil. Add note.
2024.12.16	A1	Synchronized with document management number