



Auxiliary supply Us			
Auxiliary rated supply voltage AC	VAC		100...240
Auxiliary rated supply voltage DC	VDC		110...250
Auxiliary operating voltage range			
AC		min	VAC 90
		Max	VAC 264
DC		min	VDC 100
		Max	VDC 300
Operational frequency		min	Hz 45
		max	Hz 66
Power consumption		Max	VA 15
Power dissipation Max			W 6
Measuring voltage inputs			
Rated voltage (Ue)		phase-phase	VAC 600
		phase-neutral	VAC 347
Operating voltage range		phase-phase	VAC 40...830
		phase-neutral	VAC 5...480
Voltage inputs operational frequency		min	Hz 45 and 360
		max	Hz 66 and 440
Voltage inputs measurement method			True RMS
Connection method			Single. Two. Three-phase with or without neutral. Balanced three-phase system. Three-phase ARON.
Current inputs			
Rated current (Ie)	A		1A/5A
Measurement range			0.004...6
Measurement method			TRMS
Overload capacity			+20% Ie by external CT with 5A secondary
Overload peak	A		120A for 0.5s
Accuracy			
	VLN voltage		Class 0.2 (IEC/EN 61557-12), V:50-480V~

VLL voltage	Class 0.2 (IEC/EN 61557-12), V:87-830V~
Current	Class 0.2 (IEC/EN 61557-12), In:5A~
Frequency	Class 0.02 (IEC/EN 61557-12)
Active power	Class 0.5 (IEC/EN 61557-12)
Reactive power	Class 1 (IEC/EN 61557-12)
Active energy	Class 0.5s (IEC/EN 62053-22)
Reactive energy	Class 1 (IEC/EN 62053-24)
THD	Class 5 (IEC/EN 61557-12)
2nd 15th order harmonics	Class 5 (IEC/EN 61557-12)

Insulations

Rated insulation voltage Ui IEC/EN	V	600
Rated impulse withstand voltage Uimp	kV	9.6
Operating frequency withstand voltage	kV	5.4

Functions

Harmonic analysis	63rd order
PLC logic	Yes
Type of communication port	Ethernet
Ethernet-RS485 gateway function	+EXP1012
Data logging memory	Yes
Neutral/earth current and voltage monitoring	No
Statistics of network quality according to EN50160	No
EASY BRANCH support	Yes

Mechanical features

Housing type	Xantar RAL 7035
Terminals type	Removable
Conductor cross section	
	min mm ² 0.2
	Max mm ² 2.5
	min AWG 24
	Max AWG 12

Tightening torque (Max)	Nm 0.5
	lbin 4.5
Fixing	Flush-mounting
Weight	g 420

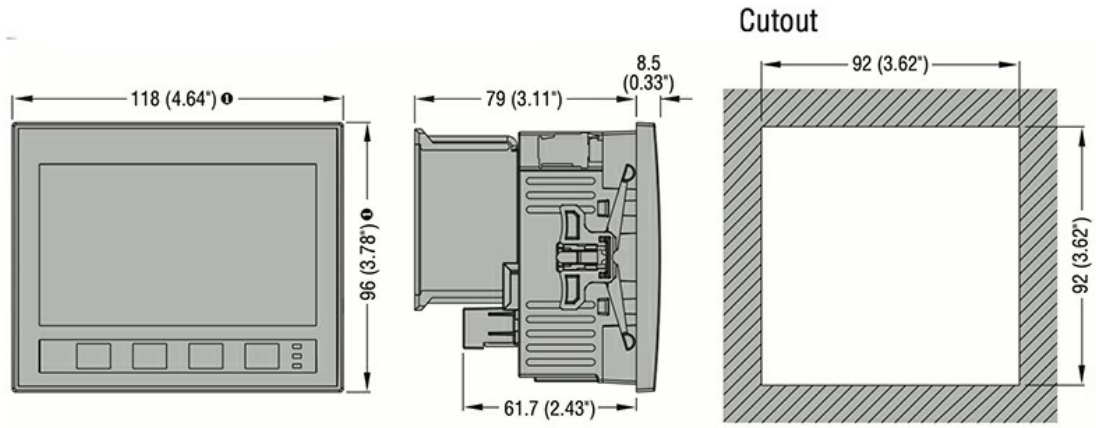
Ambient conditions

Temperature	
Operating temperature	
	min °C -20
	max °C +60
Storage temperature	

POWER ANALYZER WITH WIDESCREEN COLOUR LCD. AUXILIARY SUPPLY 100...240VAC.
EXPANDABLE WITH 3 EXP... MODULES, BUILT-IN ETHERNET PORT, DATA MEMORY FOR
LOGGING, COMPATIBLE WITH EASY BRANCH POWER MONITORING SYSTEM

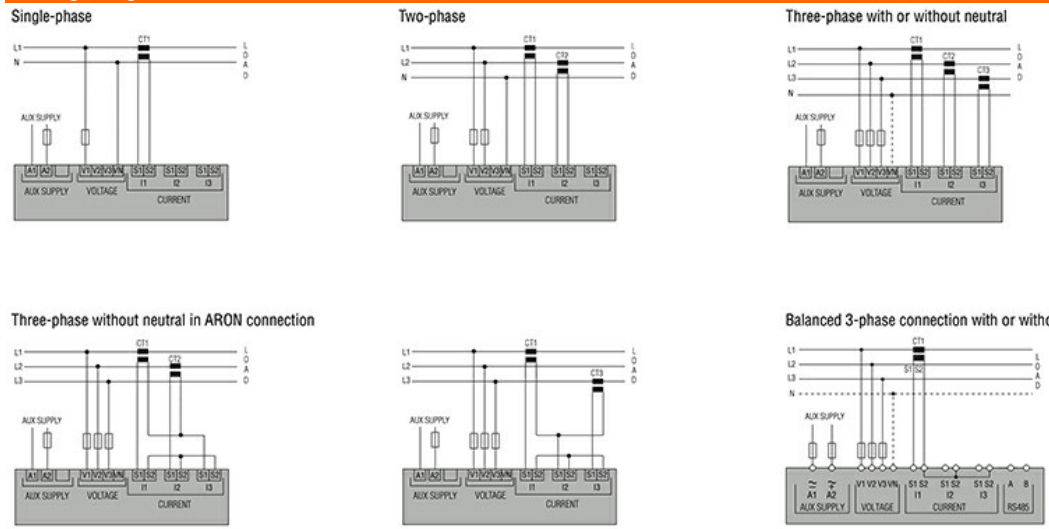
	min	°C	-30
	max	°C	+80
Relative humidity		%	<80
Maximum Pollution degree			2
Protection degree			IP65

Dimensions



① Dimensions with gasket: 122x100mm/4.80x3.94"

Wiring diagrams



CODE	AUX SUPPLY
DMG100-110-200-210-300	100...240VAC 110...250VDC
DMG6...	100...440VAC 110...250VDC
DMG7000-7500-8000-9000	100...240VAC 110...250VDC



Certifications and compliance

Compliance

- CSA 22.2 No 61010-2-030
- CSA C22.2 No 61010-1
- IEC/EN/BS 61000-6-2
- IEC/EN/BS 61000-6-4
- IEC/EN/BS 61010-1
- IEC/EN/BS 61010-2-030
- UL61010-1
- UL61010-2-030

Certificates

POWER ANALYZER WITH WIDESCREEN COLOUR LCD. AUXILIARY SUPPLY 100...240VAC.
EXPANDABLE WITH 3 EXP... MODULES, BUILT-IN ETHERNET PORT, DATA MEMORY FOR
LOGGING, COMPATIBLE WITH EASY BRANCH POWER MONITORING SYSTEM

CE

cETLus

EAC

UKCA

ETIM classification

ETIM 8.0

EC002301 -
Multifunction
measuring
instrument