



Auxiliary supply Us			
Auxiliary rated supply voltage AC	VAC		100...440
Auxiliary rated supply voltage DC	VDC		120...250
Auxiliary operating voltage range			
AC		min	VAC 90
		Max	VAC 484
DC		min	VDC 93.5
		Max	VDC 300
Operational frequency		min	Hz 45
		max	Hz 66
Power consumption		Max	VA 9.5
Power dissipation Max			W 3.5
Measuring voltage inputs			
Rated voltage (Ue)		phase-phase	VAC 600
		phase-neutral	VAC 300
Operating voltage range		phase-phase	VAC 50...720
		phase-neutral	VAC 30...360
Voltage inputs operational frequency		min	Hz 45
		max	Hz 66
Voltage inputs measurement method			True RMS
Connection method			Single. two. three-phase with or without neutral. balanced three- phase system
Current inputs			
Rated current (Ie)	A		1A/5A
Measurement range			0.025...6A
Measurement method			TRMS
Overload capacity			+20% Ie by external CT with 5A secondary
Overload peak	A		50A for 1s
Accuracy			
		VLN voltage	±0.5%
		VLL voltage	±0.5%
		Current	±0.5%
		Frequency	±0.05%
		Active power	±0.5%

Active energy	Class 1 (IEC/EN 62053-21)
Reactive energy	Class 2 (IEC/EN 62053-23)

### Insulations

Rated insulation voltage Ui IEC/EN	V	600
Rated impulse withstand voltage Uimp	kV	9.5
Operating frequency withstand voltage	kV	5.2

### Functions

Harmonic analysis	15th order
PLC logic	No
Type of communication port	No
Ethernet-RS485 gateway function	No

### Mechanical features

Housing type	Polyamide	
Terminals type	Removable	
Conductor cross section		
	min mm <sup>2</sup>	0.2
	Max mm <sup>2</sup>	2.5
	min AWG	24
	Max AWG	12

Tightening torque (Max)	
	Nm 0.5
	lbin 4.5

Fixing	Flush-mounting
Weight	g 300

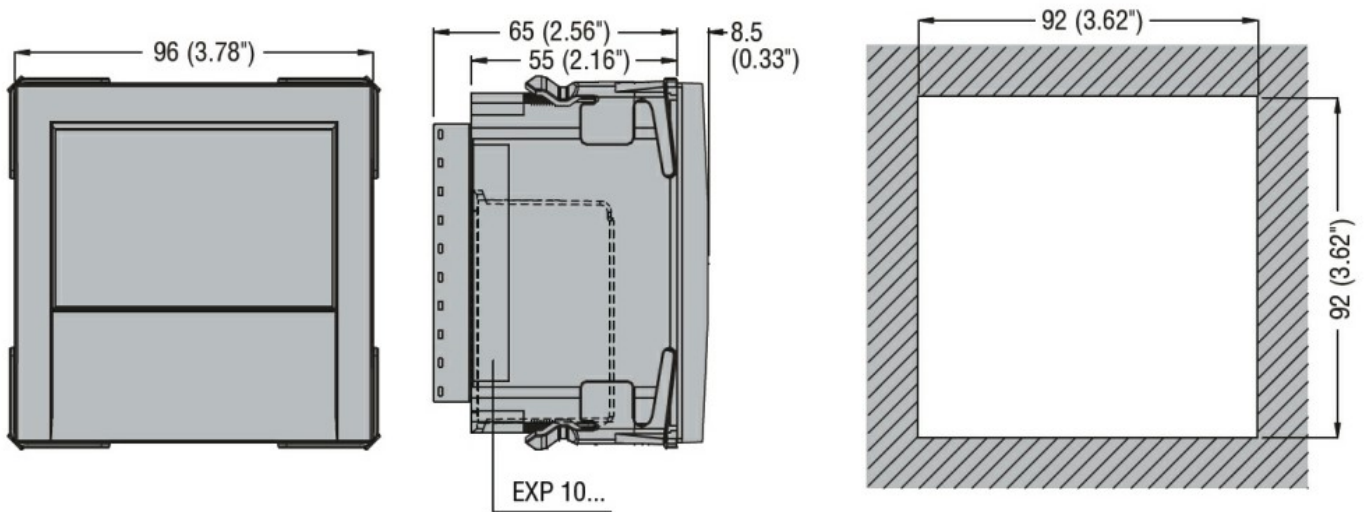
### Ambient conditions

Temperature	
Operating temperature	
	min °C -20
	max °C +60
Storage temperature	
	min °C -30
	max °C +80

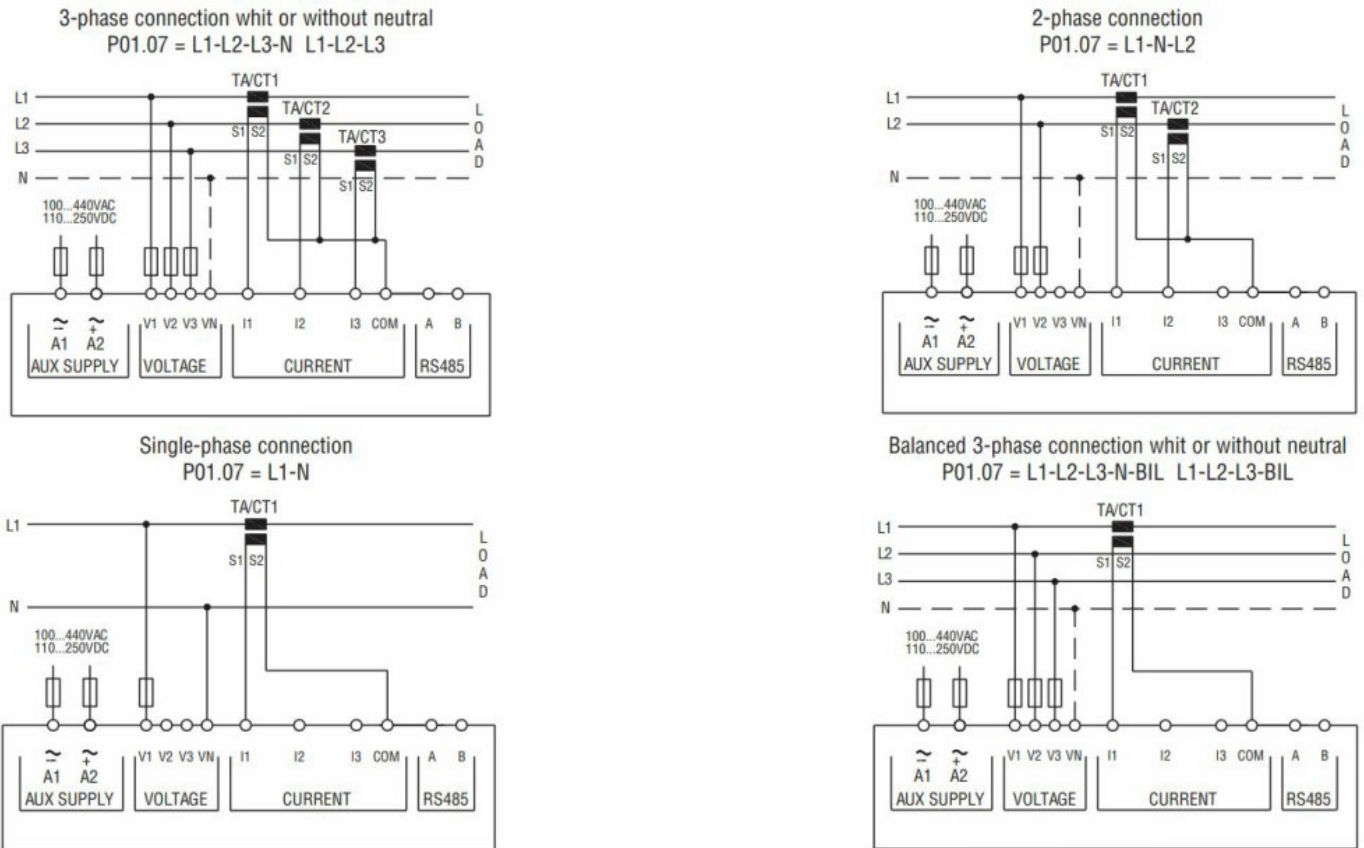
Relative humidity	% <90
Maximum Pollution degree	2

Protection degree	IP54 on front - IP20 terminals
-------------------	--------------------------------

### Dimensions



**Wiring diagrams**



**Certifications and compliance**

**Compliance**

- CSA 22.2 n°61010-1
- IEC/EN 61000-6-2
- IEC/EN 61000-6-3
- IEC/EN 61010-1
- IEC/EN 61010-2-030
- UL61010-1

**Certificates**

- cULus
- EAC
- GOST

---

RCM

ETIM classification

ETIM 8.0

EC002301 -  
Multifunction  
measuring  
instrument