



Contact characteristics

Rated insulation voltage U_i IEC/EN	V	250
Rated impulse withstand voltage U_{imp}	kV	4

Mechanical features

Max socket terminal tightening torque	Nm	0.6Nm
Socket screw tightening tool (cross / flat blade)		Phillips 1/4.5mm

Conductor section

AWG/Kcmil

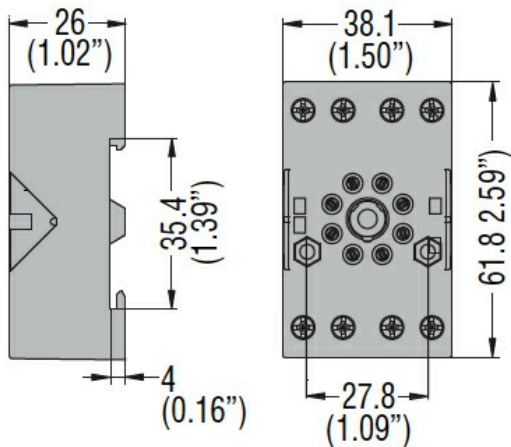
min	20
max	14

IEC

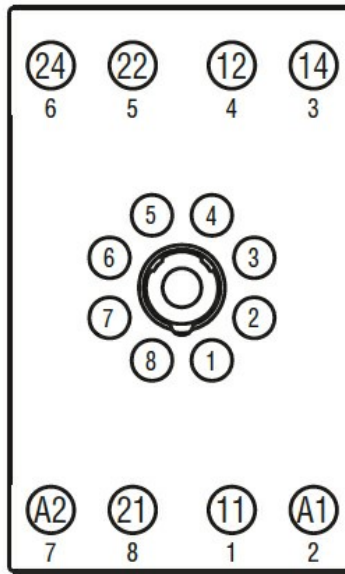
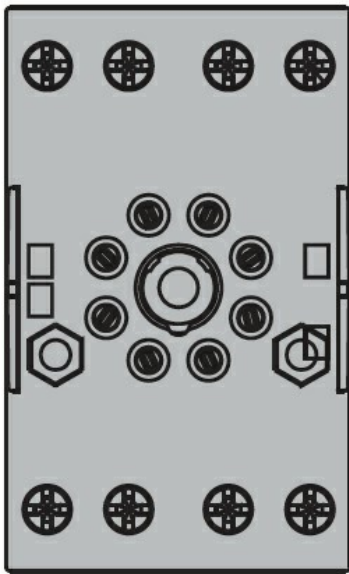
min	mm ²	0.5
max	mm ²	2.5

Fixing	On 35mm DIN rail and with screw
--------	---------------------------------

Dimensions



Wiring diagrams



Certifications and compliance

Compliance

IEC/EN 61810

Certificates

CSA

cURus

EAC

ETIM classification

ETIM 8.0

EC001456 -
Relay socket