



Contact characteristics

Contact configuration			1 Static
Rated insulation voltage U_i IEC/EN	V		2500 (input/output)
IEC Conventional free air thermal current $I_{th} \leq 40^\circ\text{C}$	A		4
Maximum instantaneous current	A		48 (10ms)
Rated current (I_n)	A		4
Max contrrollable power in	AC-1	W	1500
	AC-15	VA	360
Rated operating current DC-1	30V	A	4A output 3...28VDC
		V / mA	3 / 0.02

Operating times

Closing	ms	0.3
Opening	ms	0.3

Operations

Mechanical life	cycles	Theoretically infinite
Electrical life AC1	cycles	Theoretically infinite

Coil characteristics

Relay control voltage	V	24VDC	
Operating range	Closing	% U_n	80...120
		cycles/h	>100000

Mechanical features

Max socket terminal tightening torque	Nm	0.5		
Socket screw tightening tool (cross / flat blade)		PH0 / 3.5mm		
Conductor section	AWG/Kcmil	min	20	
		max	16	
	IEC	min	mm ²	0.5
		max	mm ²	1.5

Operating position	normal	Any
		On 35mm DIN rail

Ambient conditions

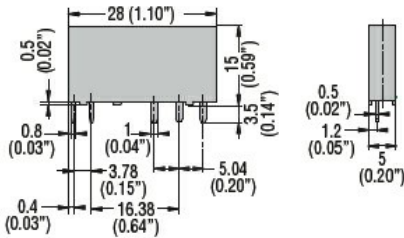
Temperature	Operating temperature		
	min	°C	-30

	max	°C	+80
Storage temperature	min	°C	-30
	max	°C	+100

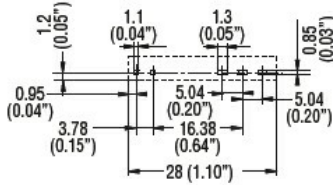
Other features

Indication	Yes (on the socket)
Mechanical contact position indicator	No
Mechanical test actuator	No

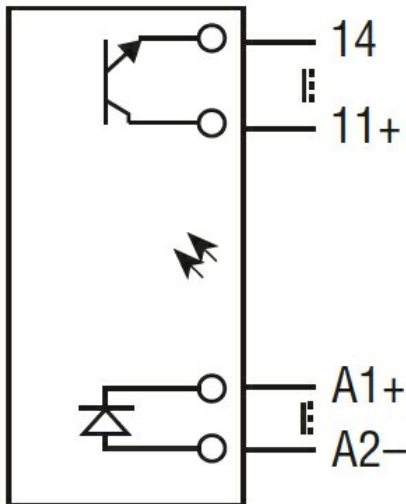
Dimensions



PCB layout



Wiring diagrams



Certifications and compliance

Compliance	IEC/EN 62314
Certificates	cURus TÜV-SUD

ETIM classification

ETIM 8.0	EC002055 - Solid state relay
----------	------------------------------