



Contact characteristics

Contact configuration				1 C/O
Rated insulation voltage U_i IEC/EN	V			250
Rated impulse withstand voltage U_{imp}	kV			6
IEC Conventional free air thermal current $I_{th} \leq 40^\circ\text{C}$	A			16
Maximum instantaneous current	A			20
Rated current (I_n)	A			16
Max contrrollable power in		AC-1	W	4000
		AC-15	VA	150
Rated operating power AC-1			VA	4000
Rated operating power AC-15				
		230 VAC	VA	150
Single-phase motor control				
		230VAC	kW	0.1
Rated operating current DC-1				
		30V	A	12
		110V	A	0.3
		220V	A	0.1
Minimum switching load	V / mA			5 / 100
Contact impedance	m Ω			100
Contact material				Ag/Ni

Operating times

Closing	ms	<15
Opening	ms	<15

Operations

Mechanical life	cycles	10000000
Electrical life AC1	cycles	30000

Coil characteristics

Relay control voltage	V	24VDC
Average coil consumption AC at 20°C	VA	1
Average coil consumption DC at 20°C	W	0.4

Operating range

	Closing	% U_n	75...110
	Opening	% U_n	10...30
Maximum cycle frequency		cycles/h	3600

Mechanical features

Max socket terminal tightening torque	Nm	0.6
Socket screw tightening tool (cross / flat blade)		PH1 / 4.5mm
Conductor section		
	AWG/Kcmil	
	min	20
	max	14
	IEC	

	min	mm ²	0.5
	max	mm ²	2.5
Operating position	normal	Any	
Fixing	On 35mm DIN rail and with screw		

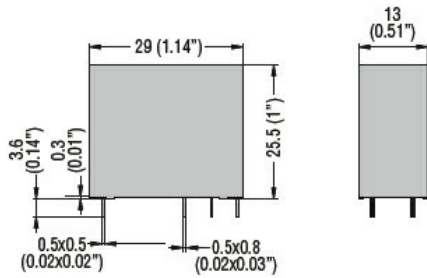
Ambient conditions

Temperature	Operating temperature		
	min	°C	-40
	max	°C	+70
	Storage temperature		
	min	°C	-40
	max	°C	+85

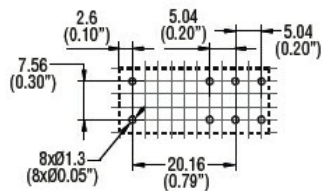
Other features

Indication	Yes
Mechanical contact position indicator	Yes
Mechanical test actuator	Yes

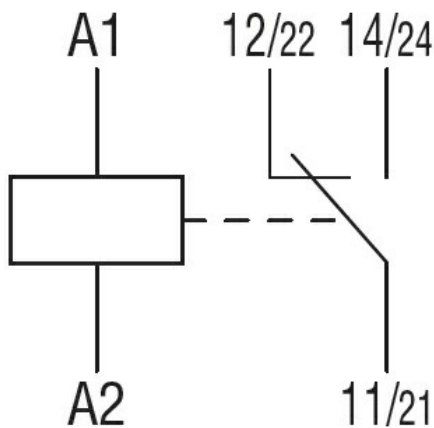
Dimensions



PCB layout



Wiring diagrams



Certifications and compliance

Compliance

IEC/EN 61810

Certificates

CSA

cURus

EAC

VDE

ETIM classification

ETIM 8.0

EC001437 -
Switching relay