



Contact characteristics

Contact configuration			1 C/O
Rated insulation voltage U_i IEC/EN	V		250
Rated impulse withstand voltage U_{imp}	kV		4
IEC Conventional free air thermal current $I_{th} \leq 40^\circ\text{C}$	A		6
Maximum instantaneous current	A		20 (500ms)
Rated current (I_n)	A		6
UL/CSA and IEC/EN 60947-5-1 designation			B300 – R300
UL rating			6A 277VAC; 6A 30VDC
Max contrrollable power in			
	AC-1	W	1500
	AC-15	VA	360
Rated operating power AC-1		VA	1500
Rated operating power AC-15	230 VAC	VA	360
Single-phase motor control	230VAC	kW	0.186
Rated operating current DC-1			
	30V	A	6
	110V	A	0.2
	220V	A	0.12
Minimum switching load		V / mA	5 / 100
Contact impedance		m Ω	100
Contact material			Ag/Ni

Operating times

Closing	ms	≤ 8
Opening	ms	≤ 4

Operations

Mechanical life	cycles	10000000
Electrical life AC1	cycles	30000

Coil characteristics

Relay control voltage	V	24VDC; 24VAC/DC
Average coil consumption DC at 20°C	W	0.2
Operating range		
	Closing	% U_n ≥ 75
	Opening	% U_n ≥ 5
Maximum cycle frequency	cycles/h	10000

Mechanical features

Max socket terminal tightening torque	Nm	0.5
Socket screw tightening tool (cross / flat blade)		PH0 / 3.5mm
Conductor section		
	AWG/Kcmil	

	min	20	
	max	16	
IEC			
	min	mm ²	0.5
	max	mm ²	1.5
Operating position			
	normal	Any	
Fixing			
		On 35mm DIN rail	

Ambient conditions

Temperature

Operating temperature

min	°C	-40
max	°C	+70

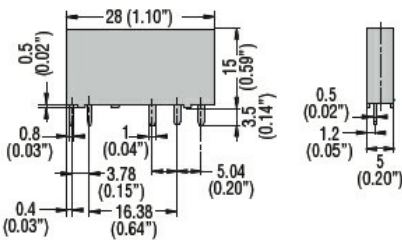
Storage temperature

min	°C	-40
max	°C	+80

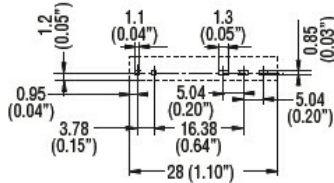
Other features

Indication	Yes (on the socket)
Mechanical contact position indicator	No
Mechanical test actuator	No

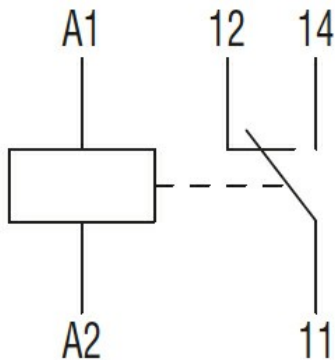
Dimensions



PCB layout



Wiring diagrams



Certifications and compliance

Compliance

IEC/EN 61810

Certificates

CSA

cURus

EAC

VDE

ETIM classification

ETIM 8.0

EC001437 -
Switching relay