

2842528-2 ✓ ACTIVE

TE Internal #: 2842528-2

2 Position PCB Terminal Block, Plug, Wire-to-Board, 2.5 mm [.98 in]

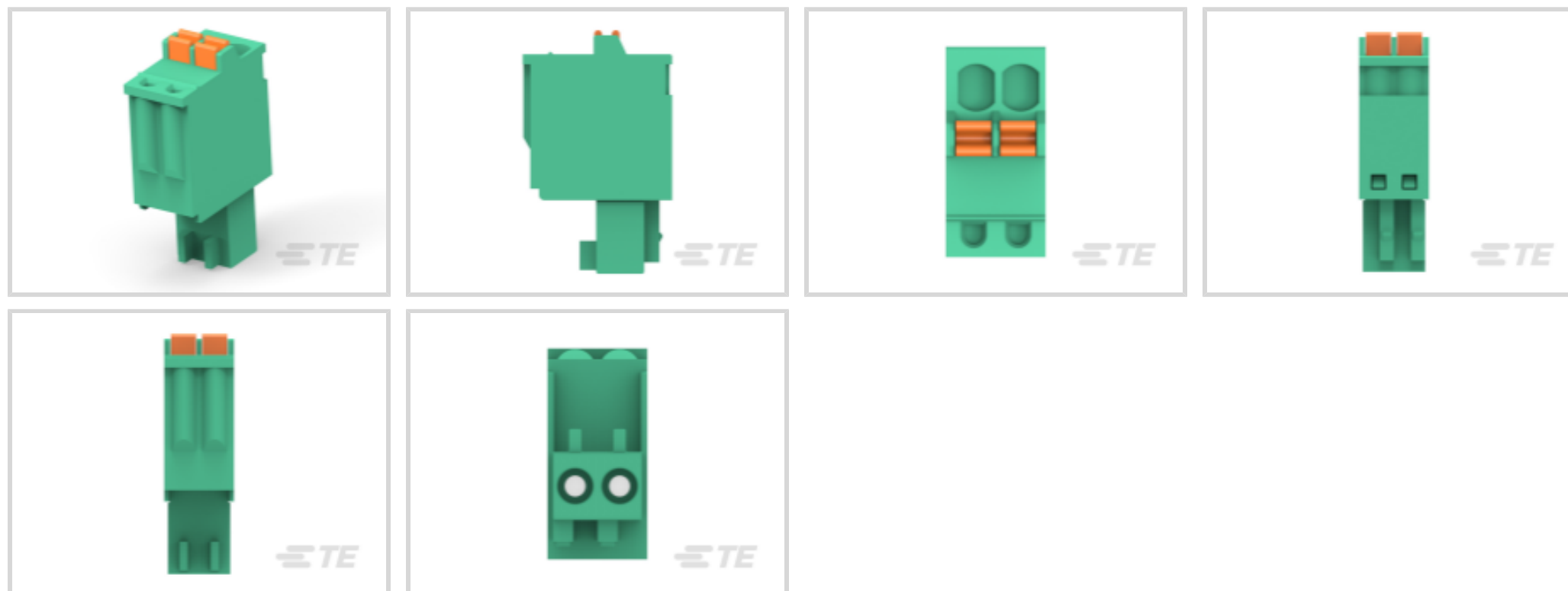
Centerline, 1 Row, 180° Wire Entry Angle, 28 – 20 AWG, .08 – .52

mm<sup>2</sup> Wire, 150 VAC

[View on TE.com >](#)



Connectors > Terminal Blocks & Strips > PCB Terminal Blocks > Push-In PCB Terminal Blocks: Time Saving Connectors



Number of Positions: 2

Terminal Block Connector Type: **Plug**

Connector System: **Wire-to-Board**

Centerline (Pitch): 2.5 mm [.98 in]

Number of Rows: 1

[All Push-In PCB Terminal Blocks: Time Saving Connectors \(333\)](#)

## Features

### Termination Features

|                                    |         |
|------------------------------------|---------|
| Termination Method to Wire & Cable | Push-in |
|------------------------------------|---------|

### Body Features

|                       |          |
|-----------------------|----------|
| Primary Product Color | Green    |
| Product Orientation   | Vertical |
| Lever Color           | Orange   |

### Packaging Features

|                  |     |
|------------------|-----|
| Packaging Method | Box |
|------------------|-----|

### Contact Features

|                                      |                 |
|--------------------------------------|-----------------|
| Contact Underplating Material        | Nickel          |
| Contact Mating Area Plating Material | Tin             |
| Contact Base Material                | Phosphor Bronze |
| Contact Current Rating (Max)         | 4 A             |

### Housing Features



|                  |       |
|------------------|-------|
| Housing Material | PA 66 |
|------------------|-------|

|                    |                 |
|--------------------|-----------------|
| Centerline (Pitch) | 2.5 mm [.98 in] |
|--------------------|-----------------|

### Product Type Features

|                 |         |
|-----------------|---------|
| Wire Protection | Without |
|-----------------|---------|

|                               |      |
|-------------------------------|------|
| Terminal Block Connector Type | Plug |
|-------------------------------|------|

|                  |               |
|------------------|---------------|
| Connector System | Wire-to-Board |
|------------------|---------------|

|                                   |              |
|-----------------------------------|--------------|
| Connector & Contact Terminates To | Wire & Cable |
|-----------------------------------|--------------|

### Configuration Features

|                     |     |
|---------------------|-----|
| Wire Entry Location | Top |
|---------------------|-----|

|                     |   |
|---------------------|---|
| Number of Positions | 2 |
|---------------------|---|

|                |   |
|----------------|---|
| Number of Rows | 1 |
|----------------|---|

|                  |      |
|------------------|------|
| Wire Entry Angle | 180° |
|------------------|------|

### Electrical Characteristics

|                   |         |
|-------------------|---------|
| Operating Voltage | 150 VAC |
|-------------------|---------|

### Mechanical Attachment

|                         |             |
|-------------------------|-------------|
| Connector Mounting Type | Board Mount |
|-------------------------|-------------|

### Dimensions

|           |             |
|-----------|-------------|
| Wire Size | 28 – 20 AWG |
|-----------|-------------|

### Usage Conditions

|                             |                             |
|-----------------------------|-----------------------------|
| Operating Temperature Range | -40 – 115 °C [-40 – 239 °F] |
|-----------------------------|-----------------------------|

### Operation/Application

|                     |                |
|---------------------|----------------|
| Circuit Application | Power & Signal |
|---------------------|----------------|

### Other

|                    |           |
|--------------------|-----------|
| EU RoHS Compliance | Compliant |
|--------------------|-----------|

### Product Compliance

[For compliance documentation, visit the product page on TE.com>](#)

|                              |           |
|------------------------------|-----------|
| EU RoHS Directive 2011/65/EU | Compliant |
|------------------------------|-----------|

|                             |                  |
|-----------------------------|------------------|
| EU ELV Directive 2000/53/EC | Not Yet Reviewed |
|-----------------------------|------------------|

|   |   |
|---|---|
| China RoHS 2 Directive MIIT Order No 32, 2016 | No Restricted Materials Above Threshold |
|---|---|

|  |  |
|--|--|
| EU REACH Regulation (EC) No. 1907/2006 | Current ECHA Candidate List: JUNE 2024 (241) |
|--|--|



Candidate List Declared Against: JUNE 2024 (241)  
Does not contain REACH SVHC

|                           |  |
|---------------------------|--|
| Halogen Content           | BFR/CFR/PVC Free, but Br/Cl >900 ppm in other sources. |
| Solder Process Capability | Not applicable for solder process capability           |

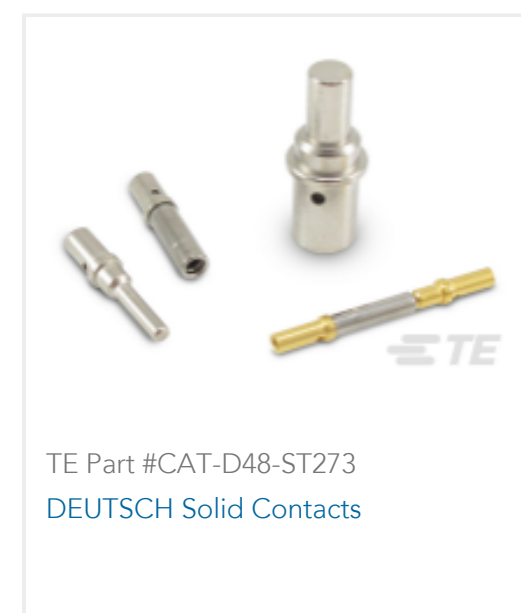
Product Compliance Disclaimer

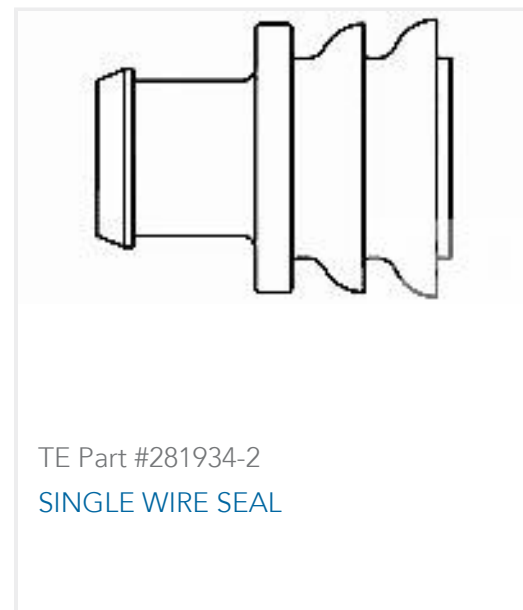
This information is provided based on reasonable inquiry of our suppliers and represents our current actual knowledge based on the information they provided. This information is subject to change. The part numbers that TE has identified as EU RoHS compliant have a maximum concentration of 0.1% by weight in homogenous materials for lead, hexavalent chromium, mercury, PBB, PBDE, DBP, BBP, DEHP, DIBP, and 0.01% for cadmium, or qualify for an exemption to these limits as defined in the Annexes of Directive 2011/65/EU (RoHS2). Finished electrical and electronic equipment products will be CE marked as required by Directive 2011/65/EU. Components may not be CE marked. Additionally, the part numbers that TE has identified as EU ELV compliant have a maximum concentration of 0.1% by weight in homogenous materials for lead, hexavalent chromium, and mercury, and 0.01% for cadmium, or qualify for an exemption to these limits as defined in the Annexes of Directive 2000/53/EC (ELV). Regarding the REACH Regulations, TE's information on SVHC in articles for this part number is still based on the European Chemical Agency (ECHA) 'Guidance on requirements for substances in articles' (Version: 2, April 2011), applying the 0.1% weight on weight concentration threshold at the finished product level. TE is aware of the European Court of Justice ruling of September 10th, 2015 also known as O5A (Once An Article Always An Article) stating that, in case of 'complex object', the threshold for a SVHC must be applied to both the product as a whole and simultaneously to each of the articles forming part of its composition. TE has evaluated this ruling based on the new ECHA "Guidance on requirements for substances in articles" (June 2017, version 4.0) and will be updating its statements accordingly.

### Compatible Parts



### Customers Also Bought





## Documents

### Product Drawings

#### 2P Spring TB Plug 2.50, GN

English

### CAD Files

#### Customer View Model

##### [ENG\\_CVM\\_CVM\\_2842528-2\\_1.2d\\_dxf.zip](#)

English

#### Customer View Model

##### [ENG\\_CVM\\_CVM\\_2842528-2\\_1.3d\\_igs.zip](#)

English

### 3D PDF

3D

#### Customer View Model

##### [ENG\\_CVM\\_CVM\\_2842528-2\\_1.3d\\_stp.zip](#)

English

By downloading the CAD file I accept and agree to the [Terms and Conditions](#) of use.

### Datasheets & Catalog Pages

#### PUSH-IN PCB Terminal Block Connectors

English

### Product Specifications

#### Application Specification

English

### Agency Approvals

#### UL

English