

1-2842491-0 ✓ ACTIVE

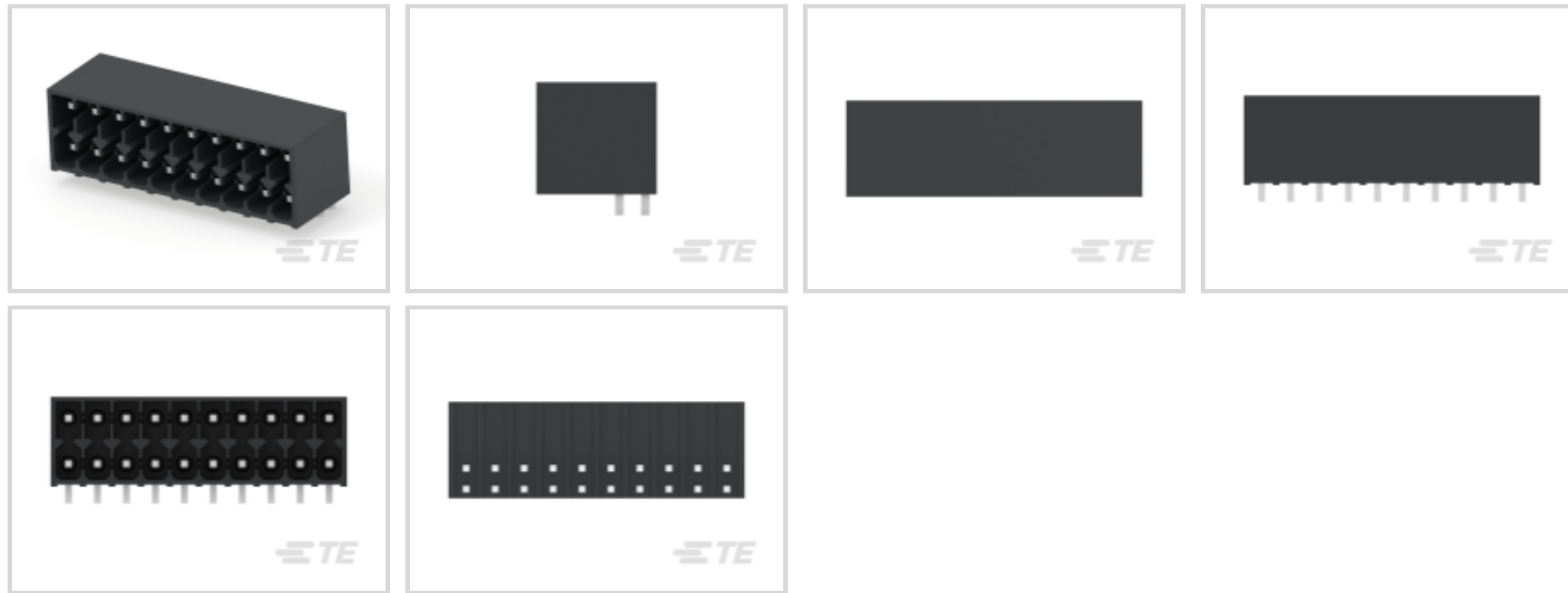


TE Internal #: 1-2842491-0

20 Position PCB Terminal Block, Header, Wire-to-Board, 3.5 mm [.137 in] Centerline, 2 Row, 150 VAC, Printed Circuit Board, Power & Signal, Board Mount

[View on TE.com >](#)

Connectors > Terminal Blocks & Strips > PCB Terminal Blocks > Push-In PCB Terminal Blocks: Time Saving Connectors



Number of Positions: 20

Terminal Block Connector Type: **Header**

Connector System: **Wire-to-Board**

Centerline (Pitch): 3.5 mm [.137 in]

Number of Rows: 2

[All Push-In PCB Terminal Blocks: Time Saving Connectors \(333\)](#)

Features

Termination Features

Termination Method to PCB	Through Hole - Solder
Termination Post & Tail Length	2 mm [.079 in]

Body Features

Primary Product Color	Black
Product Orientation	Horizontal

Packaging Features

Packaging Method	Box
------------------	-----

Contact Features

Contact Underplating Material	Nickel
Contact Mating Area Plating Material	Tin
Contact Base Material	Copper Alloy
Contact Current Rating (Max)	8 A

Housing Features



Housing Material	LCP
Centerline (Pitch)	3.5 mm [.137 in]

Product Type Features

Header Type	Fully Shrouded
Terminal Block Connector Type	Header
Connector System	Wire-to-Board
Connector & Contact Terminates To	Printed Circuit Board

Configuration Features

Number of Positions	20
Number of Rows	2

Electrical Characteristics

Operating Voltage	150 VAC
-------------------	---------

Mechanical Attachment

Connector Mounting Type	Board Mount
-------------------------	-------------

Usage Conditions

Operating Temperature Range	-40 – 115 °C [-40 – 239 °F]
-----------------------------	-----------------------------

Operation/Application

Circuit Application	Power & Signal
---------------------	----------------

Other

EU RoHS Compliance	Compliant
--------------------	-----------

Product Compliance

[For compliance documentation, visit the product page on TE.com>](#)

EU RoHS Directive 2011/65/EU	Compliant
EU ELV Directive 2000/53/EC	Not Yet Reviewed
China RoHS 2 Directive MIIT Order No 32, 2016	No Restricted Materials Above Threshold
EU REACH Regulation (EC) No. 1907/2006	Current ECHA Candidate List: JUNE 2024 (241) Candidate List Declared Against: JUNE 2024 (241) Does not contain REACH SVHC
Halogen Content	Low Halogen - Br, Cl, F, I < 900 ppm per homogenous material. Also BFR/CFR/PVC Free

Solder Process Capability

Reflow solder capable to 260°C

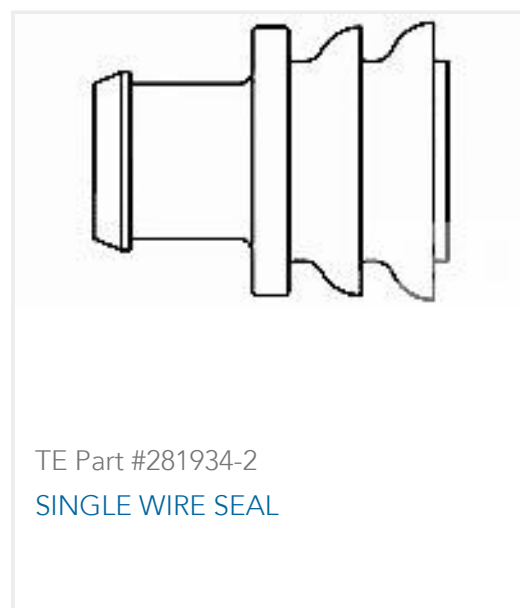
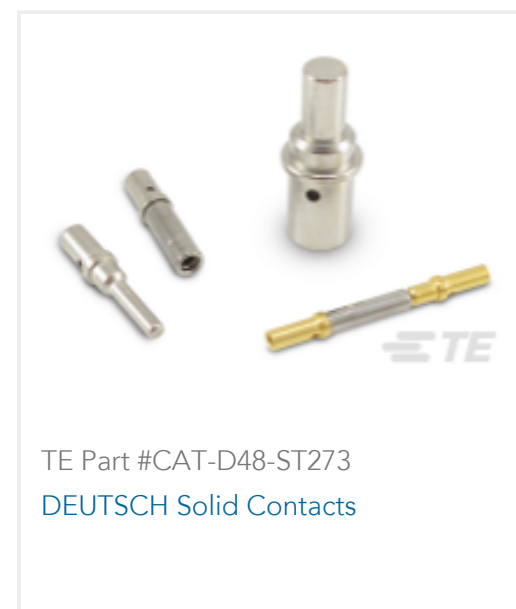
Product Compliance Disclaimer

This information is provided based on reasonable inquiry of our suppliers and represents our current actual knowledge based on the information they provided. This information is subject to change. The part numbers that TE has identified as EU RoHS compliant have a maximum concentration of 0.1% by weight in homogenous materials for lead, hexavalent chromium, mercury, PBB, PBDE, DBP, BBP, DEHP, DIBP, and 0.01% for cadmium, or qualify for an exemption to these limits as defined in the Annexes of Directive 2011/65/EU (RoHS2). Finished electrical and electronic equipment products will be CE marked as required by Directive 2011/65/EU. Components may not be CE marked. Additionally, the part numbers that TE has identified as EU ELV compliant have a maximum concentration of 0.1% by weight in homogenous materials for lead, hexavalent chromium, and mercury, and 0.01% for cadmium, or qualify for an exemption to these limits as defined in the Annexes of Directive 2000/53/EC (ELV). Regarding the REACH Regulations, TE's information on SVHC in articles for this part number is still based on the European Chemical Agency (ECHA) 'Guidance on requirements for substances in articles' (Version: 2, April 2011), applying the 0.1% weight on weight concentration threshold at the finished product level. TE is aware of the European Court of Justice ruling of September 10th, 2015 also known as O5A (Once An Article Always An Article) stating that, in case of 'complex object', the threshold for a SVHC must be applied to both the product as a whole and simultaneously to each of the articles forming part of its composition. TE has evaluated this ruling based on the new ECHA "Guidance on requirements for substances in articles" (June 2017, version 4.0) and will be updating its statements accordingly.

Compatible Parts



Customers Also Bought





Documents

Product Drawings

[2x10P TB HDR HZ \(90\) 3.5, BK](#)

English

CAD Files

[3D PDF](#)

3D

Customer View Model

[ENG_CVM_CVM_1-2842491-0_1.2d_dxf.zip](#)

English

Customer View Model

[ENG_CVM_CVM_1-2842491-0_1.3d_igs.zip](#)

English

Customer View Model

[ENG_CVM_CVM_1-2842491-0_1.3d_stp.zip](#)

English

By downloading the CAD file I accept and agree to the [Terms and Conditions](#) of use.

Datasheets & Catalog Pages

[PUSH-In PCB Terminal Block Connectors](#)

English

Product Specifications

[Application Specification](#)

English

Agency Approvals

[UL](#)

English