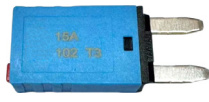


Thermal Circuit Breakers multicomp^{PRO}

RoHS
Compliant



MP015929



MP015930



MP015931



MP015932

Features

- Body:UL-rated 94V0. Operating temperature: -40°F(-40°C) to 185°F(85°C) 5-30A, 28V DC
- Size: 35.3mm × 12.45mm × 6.35mm. Type III manual reset circuit breaker. Material:Plastic+Metal
- This blade fuse will fit in place of standard ATM fuses. Useful item in 4 any auto electrician's tool box.
- Manual reset current overload protector; high quality fuse, overheating and over current protection
- Suitable for equipment below 28V DC, such as cars, trucks, RV yachts

Specifications

Single Pole Thermal Type Breakers.

Rating : 5-30A, 14V DC

Interrupt Rating : 150A @ 14V DC (for 5-10A)

225A @ 14V DC (for 15A)

300A @ 14V DC (for 20A)

450A @ 14V DC (for 25A, 30A)

Operating temperature : -40°F (-40°C) to 185°F (85°C)

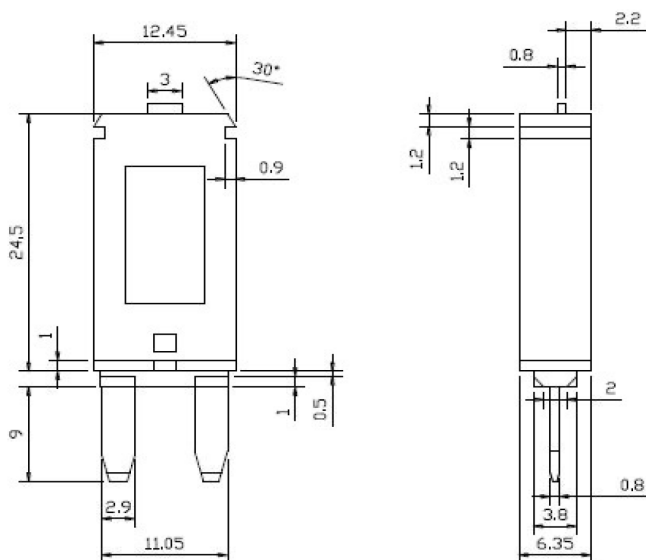
Storage temperature : -40°F (-40°C) to 260°F (125°C)

Marking : Standard marking includes type/ voltage/ amp

Termination : Compatible with 280 Type fuse blocks using 0.32in. (8.1mm) centerline spacing.

Meet S.A.E. J553, Type 1, 2, 3 circuit breaker

Diagram



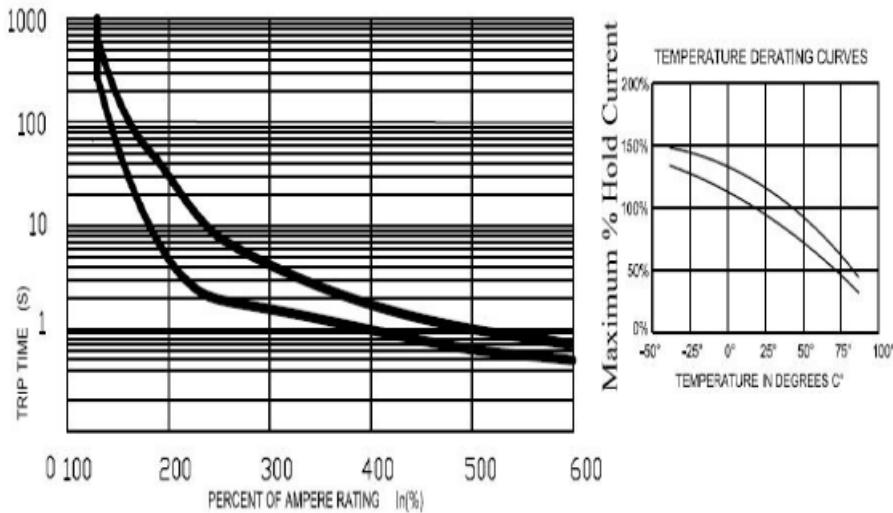
Dimensions : Millimetres

Newark.com/multicomp-pro
Farnell.com/multicomp-pro
sg.element14.com/b/multicomp-pro

multicomp^{PRO}

Thermal Circuit Breakers multicomp^{PRO}

Curves



Part Number Table

Description	Part Number
Mini Type Circuit Breaker, 32V, Manual, Red, 10A	MP015929
Mini Type Circuit Breaker, 32V, Manual, Blue, 15A	MP015930
Mini Type Circuit Breaker, 32V, Manual, Yellow, 20A	MP015931
Mini Type Circuit Breaker, 32V, Manual, White, 25A	MP015932

Important Notice : This data sheet and its contents (the "Information") belong to the members of the AVNET group of companies (the "Group") or are licensed to it. No licence is granted for the use of it other than for information purposes in connection with the products to which it relates. No licence of any intellectual property rights is granted. The Information is subject to change without notice and replaces all data sheets previously supplied. The Information supplied is believed to be accurate but the Group assumes no responsibility for its accuracy or completeness, any error in or omission from it or for any use made of it. Users of this data sheet should check for themselves the Information and the suitability of the products for their purpose and not make any assumptions based on information included or omitted. Liability for loss or damage resulting from any reliance on the Information or use of it (including liability resulting from negligence or where the Group was aware of the possibility of such loss or damage arising) is excluded. This will not operate to limit or restrict the Group's liability for death or personal injury resulting from its negligence. Multicomp Pro is the registered trademark of Premier Farnell Limited 2019.

Newark.com/multicomp-pro
 Farnell.com/multicomp-pro
 sg.element14.com/b/multicomp-pro

multicomp^{PRO}