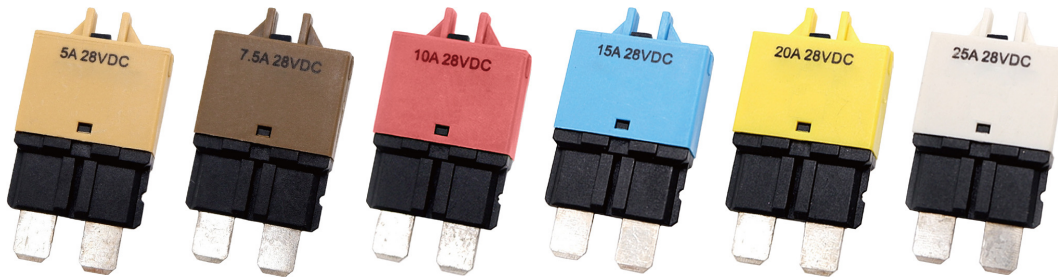


# Thermal Circuit Breakers multicomp<sup>PRO</sup>

RoHS  
Compliant



## Features

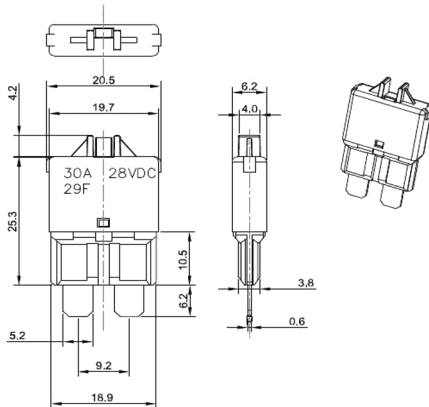
- Regulatory Specification: SAEJ 553; SAEJ 1171 (Ignition Protected); UL1500, Body:UL-rated 94V0
- Fits applications where fuse block spacing is tight. Fits where fuse terminal is recessed
- With over-current protection and Reset with a push of a button. Useful item in any auto electrician's tool box

## Specifications

### Single Pole Thermal Type Breakers. Type 3 manual reset

Rating	: 5-30A, 28V DC
Interrupt Capacity	: 2000A @ 28V DC
Operating temperature Rating	: -40°F(-40°C) to 185°F(85°C)
Storage temperature	: -40°F(-40°C) to 260°F(125°C)
Materials	: UL-Rate 94V-0 thermoplastic Body, Tin-Plated Copper alloy terminal
Marking	: Colour-Code to amperage. 05-5A (light brown); 75-7.5A (moss green); 10-10A (red) 15-15A (blue); 20-20A (yellow); 25-25A (white); 30-30A (green)
Termination	: 5.2mm wide blades compatible with ATO regular type fuse block.

## Diagram



Dimensions : Millimetres

## Part Number Table

Description	Part Number
Circuit Breaker, 32V, Manual, LT.Brown, 5A	MP015923
Circuit Breaker, 32V, Manual, Moss Green, 7.5A	MP015924
Circuit Breaker, 32V, Manual, Red, 10A	MP015925
Circuit Breaker, 32V, Manual, Blue, 15A	MP015926
Circuit Breaker, 32V, Manual, Yellow, 20A	MP015927
Circuit Breaker, 32V, Manual, White, 25A	MP015928

**Important Notice** : This data sheet and its contents (the "Information") belong to the members of the AVNET group of companies (the "Group") or are licensed to it. No licence is granted for the use of it other than for information purposes in connection with the products to which it relates. No licence of any intellectual property rights is granted. The Information is subject to change without notice and replaces all data sheets previously supplied. The Information supplied is believed to be accurate but the Group assumes no responsibility for its accuracy or completeness, any error in or omission from it or for any use made of it. Users of this data sheet should check for themselves the Information and the suitability of the products for their purpose and not make any assumptions based on information included or omitted. Liability for loss or damage resulting from any reliance on the Information or use of it (including liability resulting from negligence or where the Group was aware of the possibility of such loss or damage arising) is excluded. This will not operate to limit or restrict the Group's liability for death or personal injury resulting from its negligence. Multicomp Pro is the registered trademark of Premier Farnell Limited 2019.

Newark.com/multicomp-pro  
Farnell.com/multicomp-pro  
sg.element14.com/b/multicomp-pro

**multicomp<sup>PRO</sup>**