

CSM P 4CO**Weidmüller Interface GmbH & Co. KG**

Klingenbergstraße 26

D-32758 Detmold

Germany

www.weidmueller.com



Relay sockets for the CUBESERIES CRM relays

- 4 CO output version for 2 CO and 4 CO relays
- Screw and PUSH IN connection
- PUSH IN sockets with wide pushers for screwdrivers up to 1.0 x 5.5 mm blade size
- Various cross connection possibilities
- Matching accessories such as cross-connections, retaining clips and LED modules

General ordering data

Version	CUBESERIES, Relay socket, Number of contacts: 4, CO contact, Continuous current: 8 A, PUSH IN
Order No.	3053140000
Type	CSM P 4CO
GTIN (EAN)	4099987022965
Qty.	10 pc(s).

CSM P 4CO

Weidmüller Interface GmbH & Co. KG
 Klingenbergstraße 26
 D-32758 Detmold
 Germany

www.weidmueller.com

Technical data

Dimensions and weights

Depth	45.9 mm	Depth (inches)	1.807 inch
Height	97 mm	Height (inches)	3.819 inch
Width	31 mm	Width (inches)	1.22 inch
Net weight	75 g		

Temperatures

Operating temperature	-20 °C...70 °C	Humidity	40 °C / 93 % rel. humidity, no condensation
-----------------------	----------------	----------	--

Rated data UL

Certificate No. (cURus)	E223759
-------------------------	---------

Control side

Status indicator	No
------------------	----

Load side

Rated switching voltage	250 V AC	Continuous current	12 A @ 2 CO; 8 A @ 4 CO
Max. switching voltage, AC	300 V	Contact type	4 CO contact

General data

Operating altitude	≤ 2000 m, above sea level		
Rail	TS 35		
Colour	black		
UL 94 flammability rating	V-0		
UL94 flammability rating component	Component	Socket	
	UL94 flammability rating	V-0	
	Component	Housing	
	UL94 flammability rating	V-0	

Insulation coordination

Pollution severity	2	Surge voltage category	II
Insulating material group	IIIa	Dielectric strength for control side - load side	4 kV _{eff} / 1 Min.
		Dielectric strength of neighbouring contacts	3 kV _{eff} / 1 Min.
Impulse withstand voltage	3 kV	Dielectric strength to mounting rail	3 kV _{eff} / 1 min.
		Protection degree	IP20

Further details of approvals / standards

Certificate No. (CSA)	607178-80219312	Certificate No. (cURus)	E223759
-----------------------	-----------------	-------------------------	---------

CSM P 4CO

Weidmüller Interface GmbH & Co. KG

Klingenbergstraße 26

D-32758 Detmold

Germany

www.weidmueller.com

Technical data

Connection data

Wire connection method	PUSH IN	Stripping length, rated connection	8 mm
Clamping range, rated connection	1.5 mm ²	Clamping range, min.	0.5 mm ²
Clamping range, max.	1.5 mm ²	Wire cross-section, solid, min.	0.5 mm ²
Wire cross-section, solid, min. (AWG)	AWG 20	Wire cross-section, solid, max. (AWG)	AWG 16
Wire connection cross section, finely stranded, max.	1.5 mm ²	Wire cross-section, finely stranded, min. (AWG)	AWG 24
Wire cross-section, finely stranded, max. (AWG)	AWG 16	Wire connection cross-section, finely stranded with wire-end ferrules DIN 46228/4, max.	1 mm ²
Twin wire-end ferrules, max.	1.5 mm ²	Blade size	0.6 x 3.5 mm

Classifications

ETIM 6.0	EC001456	ETIM 7.0	EC001456
ETIM 8.0	EC001456	ETIM 9.0	EC001456
ETIM 10.0	EC001456	ECLASS 9.0	27-37-16-03
ECLASS 9.1	27-37-16-03	ECLASS 10.0	27-37-16-03
ECLASS 11.0	27-37-16-03	ECLASS 12.0	27-37-16-03
ECLASS 13.0	27-37-16-03	ECLASS 14.0	27-37-16-03
ECLASS 15.0	27-37-16-03		

Environmental Product Compliance

RoHS Compliance Status	Compliant without exemption
REACH SVHC	No SVHC above 0.1 wt%

Approvals

Approvals



Approvals MAMID	https://mdcop.weidmueller.com/mediadelivery/rendition/900_319230/-T1z1mm-S800/
ROHS	Conform
UL File Number Search	UL Website
Certificate No. (cURus)	E223759

Downloads

Approval/Certificate/Document of Conformity	EU Konformitätserklärung / EU Declaration of Conformity
Engineering Data	CAD data – STEP
User Documentation	Beipackzettel / Package Insert – multilingual Package Insert – multilingual
Catalogues	Catalogues in PDF-format

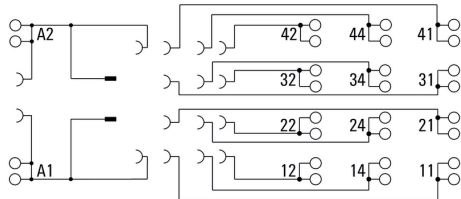
CSM P 4CO

Weidmüller Interface GmbH & Co. KG
 Klingenbergstraße 26
 D-32758 Detmold
 Germany

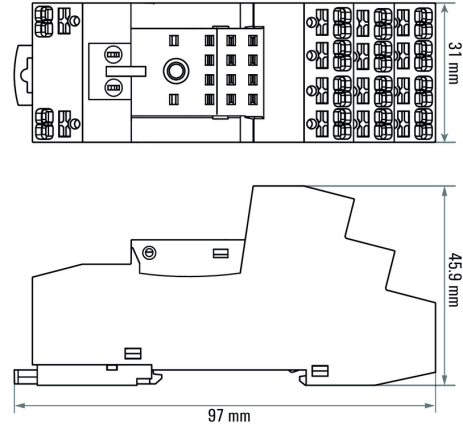
www.weidmueller.com

Drawings

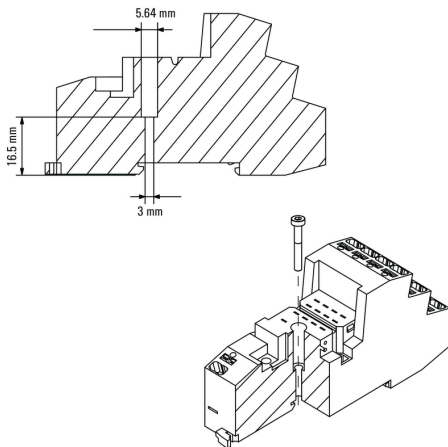
Wiring diagram



Dimensional drawing

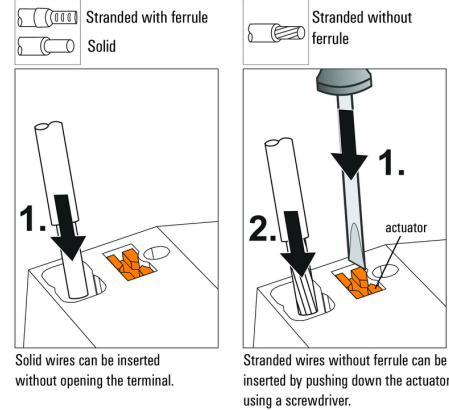


Dimensional drawing



Miscellaneous

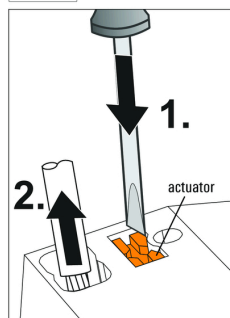
Insert flexible and solid cables



Miscellaneous

Removal of cables

- Stranded with ferrule
- Stranded without ferrule
- Solid



CSM P 4CO

Weidmüller Interface GmbH & Co. KG
 Klingenbergstraße 26
 D-32758 Detmold
 Germany

www.weidmueller.com

Drawings

Miscellaneous

Type code CUBESERIES socket versions

