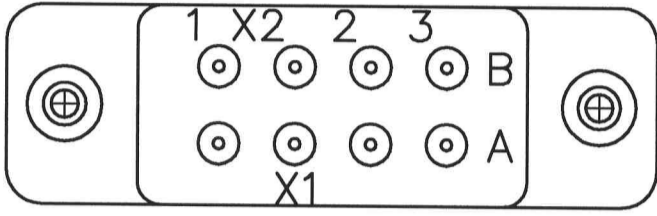
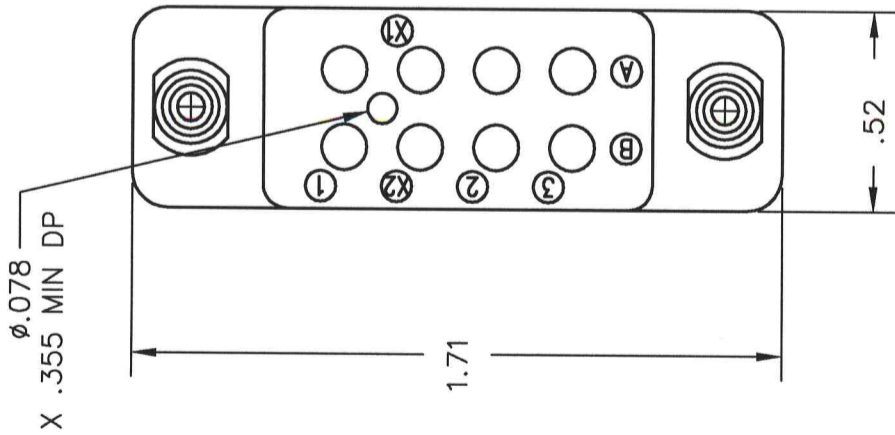
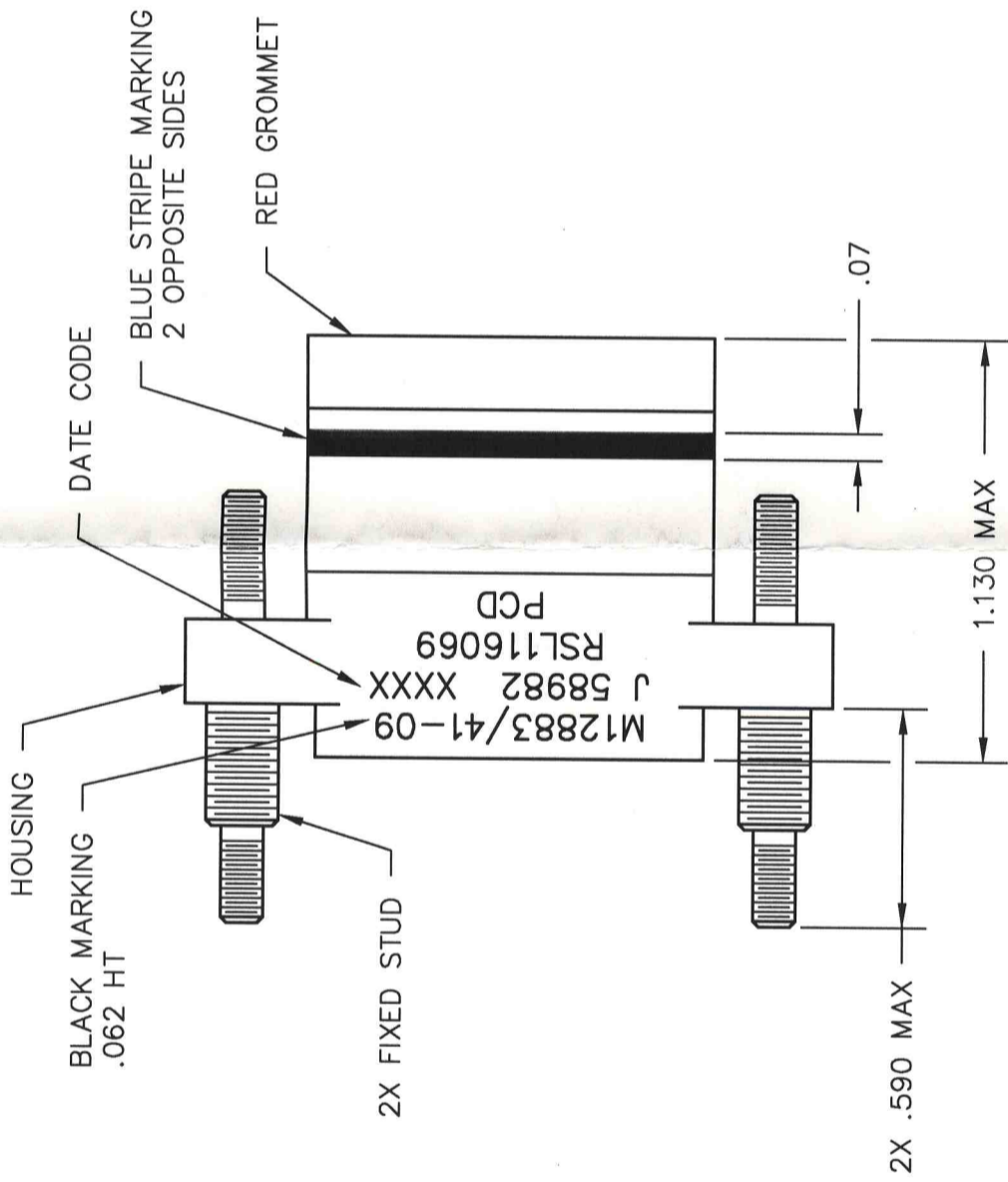


REV	ECN	DESCRIPTION	APP'D
F	2240	UPDATE FORMAT; ADD DD HOLES.	GW 4/12/94
G	2478	REVISE MARKING	JR 9/28/95
H	2840	GROM HOLES TO SIZE 20	<i>AP</i>



PART NO.	CONTACTS SUPPLIED	MARKING
RSL116068	NONE	
RSL116069	(8) SZ 16/20 M39029/5-117	RSL116069

pcd RELAY SOCKET 8 POS - SZ 16 2 POLE- 10 AMP	REFERENCE SPECIFICATION M12883/41-09	PROJECTION
	DRWN G. WILLIAMS III 4/12/94	TOLERANCES .XX ±.01 .XXX ±.005 ANGLES ±2°
ENGR M. CALLA 7/10/91	DIMENSIONS ANSI Y14.5M UNITS: INCHES CRITICAL: ◆	ORIGINAL
APPD D. SWAFFIELD 7/15/91	THIS DOCUMENT CONTAINS PROPRIETARY INFORMATION WHICH IS THE CONFIDENTIAL PROPERTY OF PCD, INC. PEABODY, MA, USA	DIMENSIONS ANSI Y14.5M UNITS: INCHES CRITICAL: ◆

SIZE B	DWG NO. RSL116068	REV H
CODE: 58982	SCALE: 2X	SHEET 1 OF 1