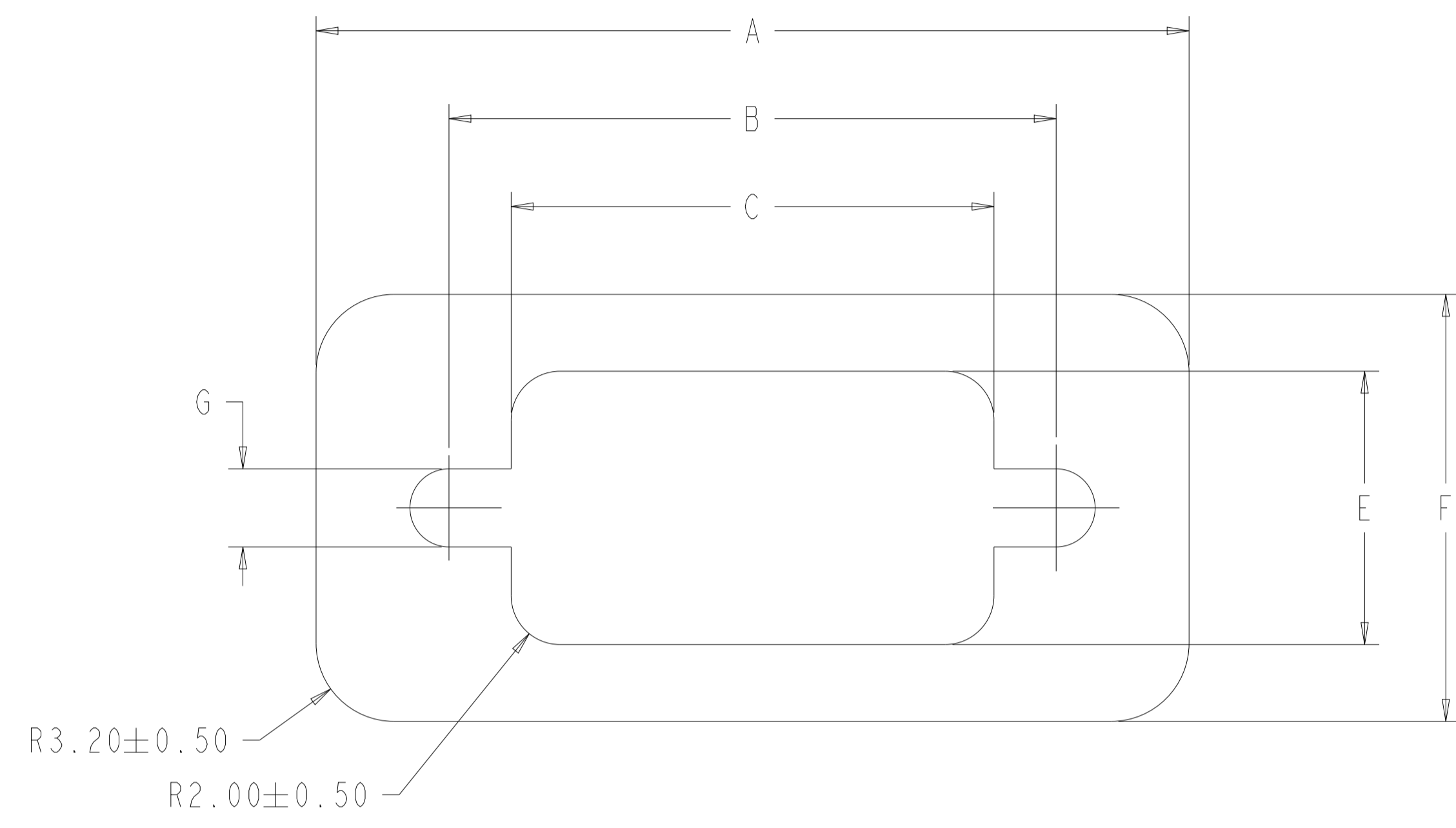
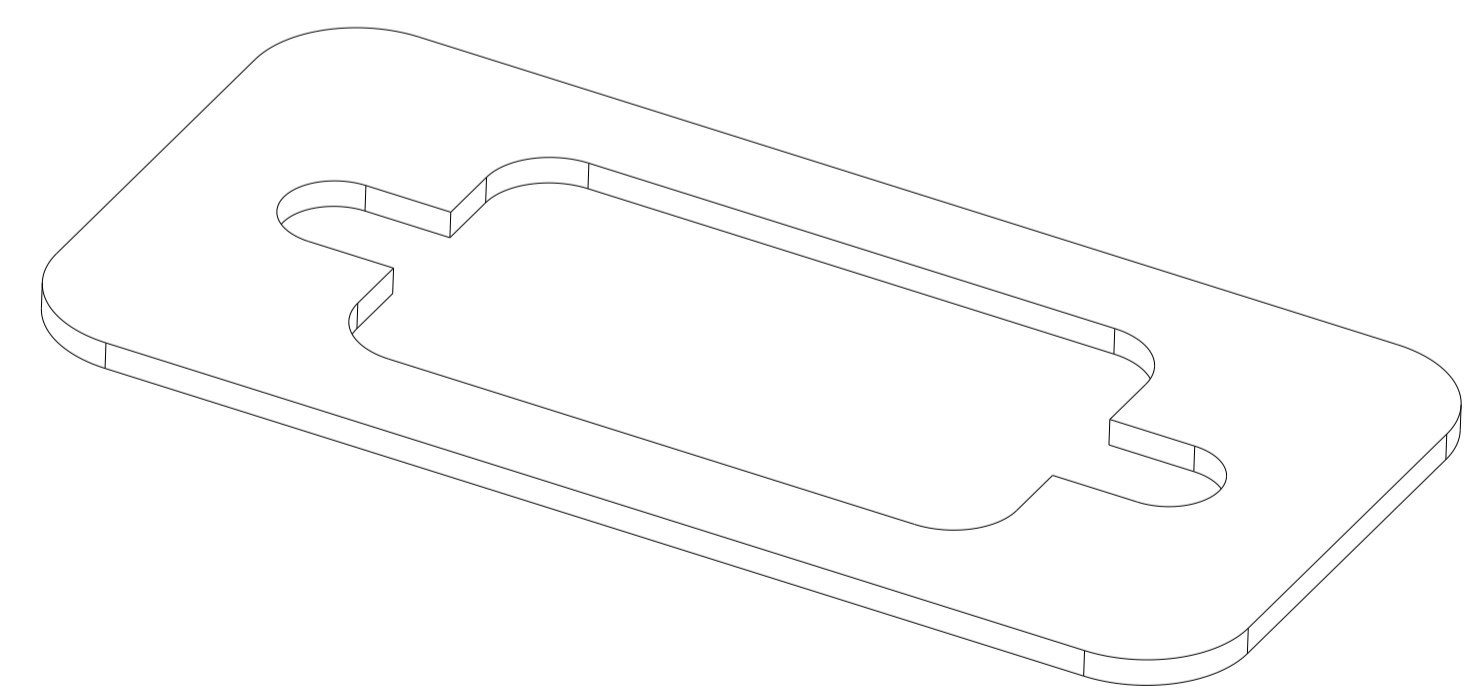


REVISIONS				
P	LTN	DESCRIPTION	DATE	APVD
A		NEW DRAWING	27MAY2024	AN JM



TEST SPECIFICATION / MATERIAL CODE	SILICONE NICKEL ALUMINIUM (SNA)	FLUOROSILICONE NICKEL ALUMINIUM (FNA)
RECOMMENDED OPERATING TEMPERATURE RANGE (°C)	-55 to 125	-55 to 125
SPECIFIC GRAVITY ± 13%	2.000	2.300
SHORE A HARDNESS ± 7	70	70
MAXIMUM VOLUME RESISTIVITY (Ω.CM)	0.100	0.100



MATERIAL	PINS	COLOUR	A±0.5	B±0.4	C±0.2	E±0.2	F±0.5	G±0.2	T±0.15	IPK QTY	IPK QTY	IPK QTY	IPK QTY
										ALIAS PART NUMBER	ALIAS PART NUMBER	ALIAS PART NUMBER	ALIAS PART NUMBER
FNA	50	DARK GREEN	72.10	61.20	56.50	13.90	20.30	6.10	1.60	95-24020-1	2488723-1	95-24020-10	2488703-1
FNA	37	DARK GREEN	74.40	63.50	58.20	11.20	17.50	3.20	1.60	95-24019-1	2488722-1	95-24019-10	2488702-1
FNA	25	DARK GREEN	57.90	47.00	41.90	11.20	17.50	3.20	1.60	95-24018-1	2488721-1	95-24018-10	2488701-1
FNA	15	DARK GREEN	44.20	33.30	28.20	11.20	17.50	3.20	1.60	95-24017-1	2488720-1	95-24017-10	2488700-1
FNA	9	DARK GREEN	35.80	24.90	19.80	11.20	17.50	3.20	1.60	95-24016-1	2488719-1	95-24016-10	2488699-1
FNA	50	DARK GREEN	72.10	61.20	56.50	13.90	20.30	6.10	0.80	95-24015-1	2488718-1	95-24015-10	2488698-1
FNA	37	DARK GREEN	74.40	63.50	58.20	11.20	17.50	3.20	0.80	95-24014-1	2488717-1	95-24014-10	2488697-1
FNA	25	DARK GREEN	57.90	47.00	41.90	11.20	17.50	3.20	0.80	95-24013-1	2488716-1	95-24013-10	2488696-1
FNA	15	DARK GREEN	44.20	33.30	28.20	11.20	17.50	3.20	0.80	95-24012-1	2488715-1	95-24012-10	2488695-1
FNA	9	DARK GREEN	35.80	24.90	19.80	11.20	17.50	3.20	0.80	95-24011-1	2488714-1	95-24011-10	2488694-1
SNA	50	DARK GREY	72.10	61.20	56.50	13.90	20.30	6.10	1.60	95-24010-1	2488713-1	95-24010-10	2488693-1
SNA	37	DARK GREY	74.40	63.50	58.20	11.20	17.50	3.20	1.60	95-24009-1	2488712-1	95-24009-10	2488692-1
SNA	25	DARK GREY	57.90	47.00	41.90	11.20	17.50	3.20	1.60	95-24008-1	2488711-1	95-24008-10	2488691-1
SNA	15	DARK GREY	44.20	33.30	28.20	11.20	17.50	3.20	1.60	95-24007-1	2488710-1	95-24007-10	2488690-1
SNA	9	DARK GREY	35.80	24.90	19.80	11.20	17.50	3.20	1.60	95-24006-1	2488709-1	95-24006-10	2488689-1
SNA	50	DARK GREY	72.10	61.20	56.50	13.90	20.30	6.10	0.80	95-24005-1	2488708-1	95-24005-10	2488688-1
SNA	37	DARK GREY	74.40	63.50	58.20	11.20	17.50	3.20	0.80	95-24004-1	2488707-1	95-24004-10	2488687-1
SNA	25	DARK GREY	57.90	47.00	41.90	11.20	17.50	3.20	0.80	95-24003-1	2488706-1	95-24003-10	2488686-1
SNA	15	DARK GREY	44.20	33.30	28.20	11.20	17.50	3.20	0.80	95-24002-1	2488705-1	95-24002-10	2488685-1
SNA	9	DARK GREY	35.80	24.90	19.80	11.20	17.50	3.20	0.80	95-24001-1	2488704-1	95-24001-10	2488684-1

THIS DRAWING IS A CONTROLLED DOCUMENT.

DIMENSIONS: mm  
 TOLERANCES UNLESS OTHERWISE SPECIFIED:  
 0 PLC ±0.15  
 1 PLC ±0.15  
 2 PLC ±0.15  
 3 PLC ±0.15  
 4 PLC ±0.15  
 ANGLES ±0.5°  
 FINISH -

DWG: AYESHABANU N  
 CHK: BASAVARAJA D A  
 APVD: J MARTIN  
 DATE: 27MAY2024

PRODUCT SPEC: 95-NA-ELASTOMER-D-SUB-RANGE  
 APPLICATION SPEC: 108-120068  
 DRAWING NO: 114-120007  
 WEIGHT: -  
 CUSTOMER DRAWING: -

SIZE: A | 00779  
 CAGE CODE: 95-NA-D-CONNECTOR-GASKETS  
 SCALE: 5:1  
 SHEET: 1 OF 1  
 REV: A

TE Connectivity  
 95-NA-ELASTOMER-D-SUB-RANGE