

14

13

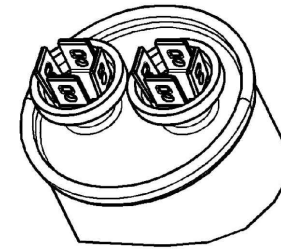
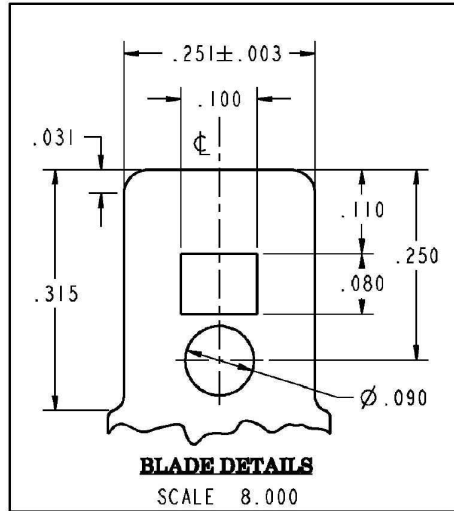
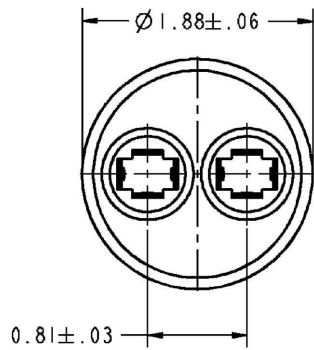


12

SIZE	DRAWING NO.	REV	SHEET
C	27L1639	1	1

D

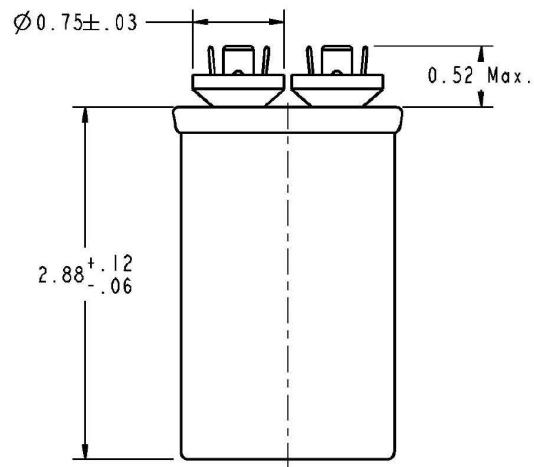
D



SCALE 1.500

C

C



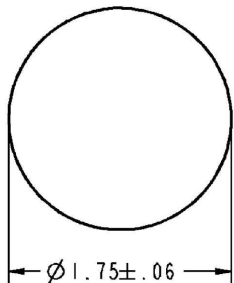
SPECIFICATIONS :

"GEM-III Capacitors are manufactured with High Grade Metallized Polypropylene Film"

Main Capacitance	: 15.00µF ± 6%
Secondary Capacitance	: NIL
Volts	: 240 AC
Leakage Current	: 30µA Max.
Frequency	: 50/60 HZ
Operating Temperature	: -40 DEG C TO 70 DEG C
Storage Temperature	: -40 DEG C TO 90 DEG C
Operative Life	: 60,000 HRS WITH 94% SURVIVAL
Dissipation Factor	: 0.1% MAX.
Case Material	: ALUMINUM
Cover Material	: STEEL TIN PLATED
Terminals	: 0.250"x0.031" Quick Connect Blades
Dielectric Fluid	: DIELEKTROL VI
Internal Protection	: UL RECOGNIZED PSI P10000AFC

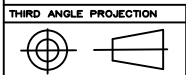
B

B



A

A



14

13



12

11

FOR ADDITIONAL INFO REFER TO:	SIGNATURES	DATE	
APPLIED PRACTICES	MODEL ALEJANDRA R	04/11/25	
UNLESS OTHERWISE SPECIFIED DIMENSIONS ARE IN INCHES	DETAIL		TITLE <b>GEM III CAPACITOR OUTLINE DRAWING</b>
TOLERANCE ON:	CHECKED HV	04/11/25	
1 PL DECIMALS ± 0.1	ENGRG		
2 PL DECIMALS ± 0.01	MFG		
3 PL DECIMALS ± 0.001	QUALITY		
ANGLES ± 0.5	ISSUED		SIZE C
FRACTIONS ±			DRAWING
FINISH ✓			27L1639
MATERIAL	SOLID MODEL: 2TCAPACITOR_ASM	SCALE: 1.250	REV 1
		REF. No.	SHEET 1 OF 1