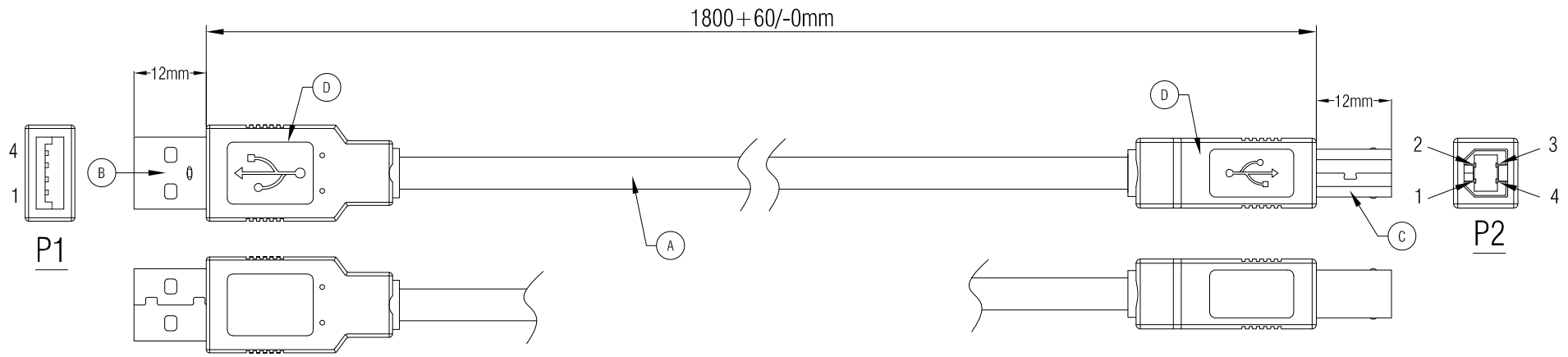
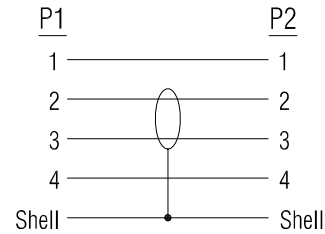


RoHS Compliant



### WIRE ADDRESS

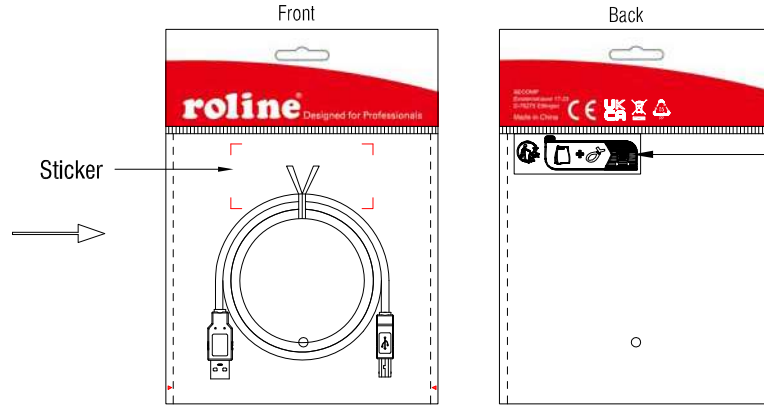
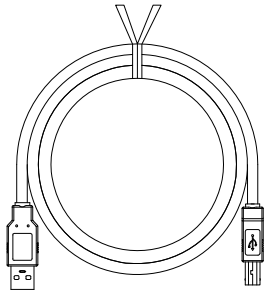


#### Electrical Test:

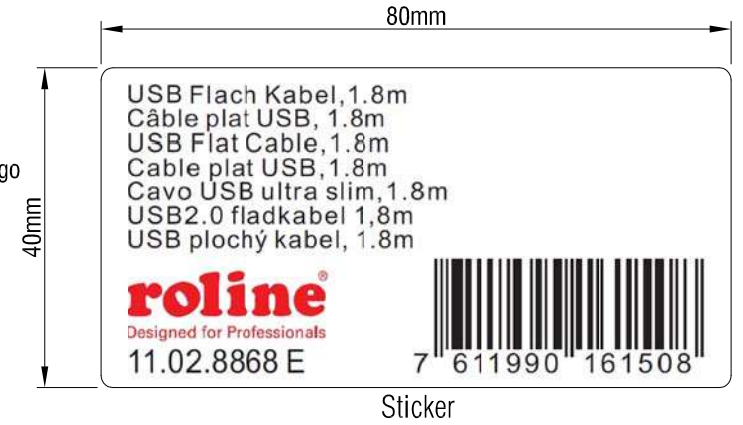
- 1.100% TEST OPEN SHORT MIS-WIRE.
- 2.CONTACT RESISTANCE:3Ω MAX.
- 3.INSULATION RESISTANCE:5MΩ MIN.
- 4.HI-POT:300V DC/10MS.

D	45P PVC BLACK		G	ROLINE USB 2.0 Flat Cable, type A-B, black, 1.8 m			<b>SECOMP</b>
C	USB 2.0 B MALE(White Insulator,Shell Nickel Plated,Pin Gold Plated 3U")	1	PCS	Item	11.02.8868		
B	USB 2.0 A MALE(White Insulator,Shell Nickel Plated,Pin Gold Plated 3U")	1	PCS	Draw	Sam	Date: 2014.12.05	
A	NON-UL(28#*2C+D+AL)+28#*2C,OD=2.5*5.0mm,BLACK PVC JACKET.(BC Wire)	1	PCS	Approval			
NUMBER	PRODUCT SPECIFICATIONS	Quantity	Unit	Duty	F16	BOM.NO:10584	
				Sample NO.	Drawings of 1 (2)		Proportion: 1:1
				Unit(mm)		<b>A4</b>	

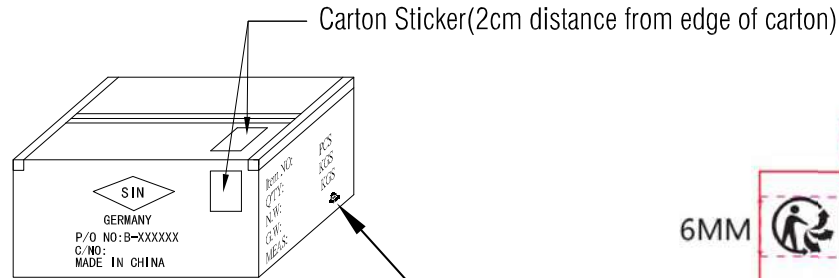
RoHS Compliant



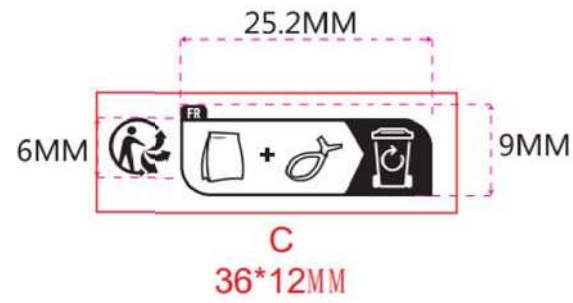
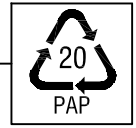
1PCS/RLA BAG-M (0.15\*170\*205mm)+Sticker



Sticker



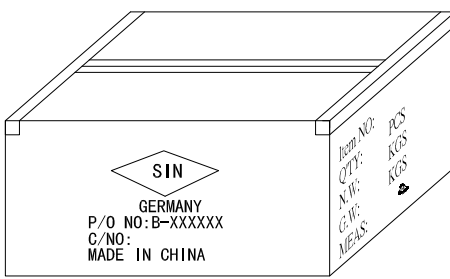
Box  
(215\*158\*165mm)  
20PCS/CNT



Triman logo



Carton Sticker



Carton Size:  
(450\*330\*180mm)  
80PCS/CTN

ROLINE USB 2.0 Flat Cable, type A-B, black, 1.8 m		
Item	11.02.8868	
Draw	Sam	Date: 2014.12.05
Approval		
Duty	F16	BOM.NO:10584

**SECOMP**