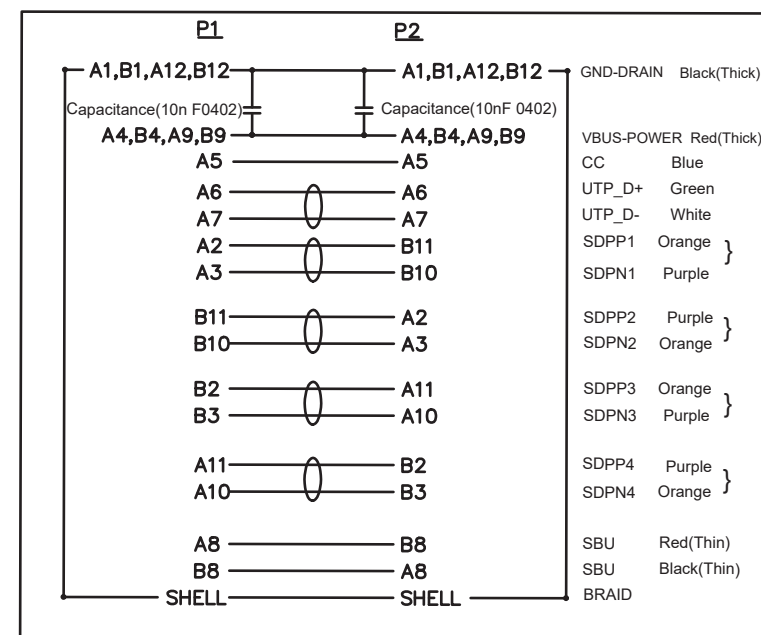


**Electric Test:**

- 1.No open,short circuit, wrong connection,poor insulation.
- 2.Contact Resistance: 3Ω MAX
- 3.Insulation Resistance: 5MΩ MIN
- 4.Electric Voltage: DC 300V
- 5.Data Transfer: 10Gbps MAX
- 6.PD: 100W MAX

**WIRE TABLE**



**Specification :**

1. Cable [1P(28AWG)+AL+HM]\*4 + 1P(32AWG) + 4C(32AWG)+1C(21AWG)  
1C(24AWG)+ DAM, Jacket: Black PVC, OD: 5.20mm
2. Conn. USB Type C Plug, with E-mark IC, Conductor: Gold Plated,  
Shell: Nickel Plated
3. Inner Molding LDPE
4. Outer Molding Black PVC: 35P



Product Name	ROLINE USB3.2 Gen2 Cable, C-C, M/M, 5m, black
Product No.	11.02.9066

Approve	Check	Draw	Design	Rev.	Date	Contents of Change	Design
Allen	Allen	Oswald	Oswald	1			
				2			
				3			

Issue Date : 2024/8/7



Scale 1:1 Unit : mm