

RoHS
Compliant



Description

This series fuses are engineered and manufactured for use in Small Motor, Lighting and Heating Protection, made from the highest quality materials and tested to the highest standards. With rated currents from 0.6A to 30A with a breaking capacity of 100kA.

Applications

- Small motors protection
- Lighting, heating & general loads protection
- Branch circuit protection

Features

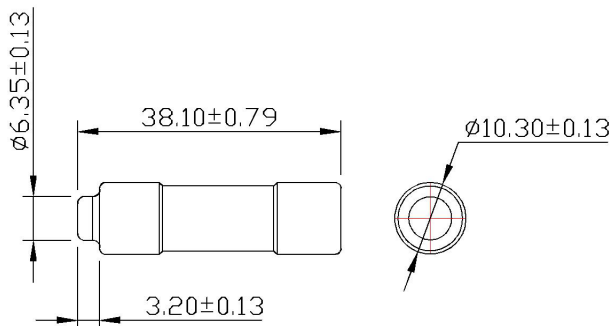
- Fast-acting fuse
- 600V AC / 300V DC fuse
- Rated Current: 0.6-30 A
- Breaking Capacity: 200 kA@600V AC ;
- 100 kA@300V DC
- Melamine tube; Silver-plated cooper end caps
- Dimensions: 10mm × 38mm

Electrical Specifications

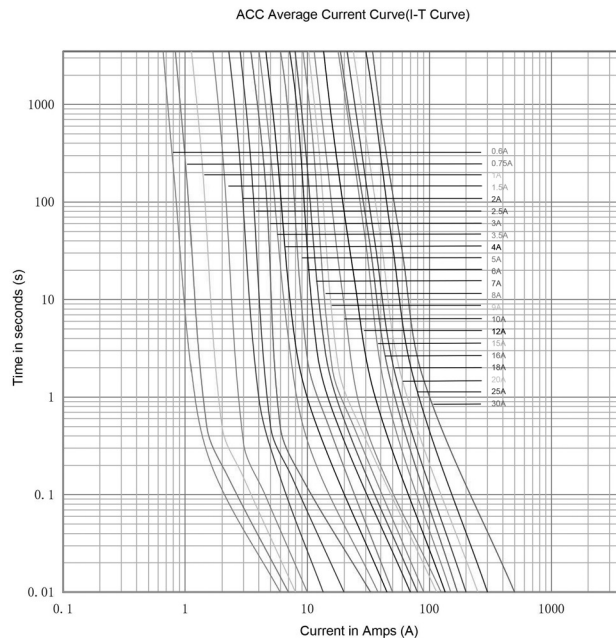
Electrical Characteristics at 25°C				
Part Number	Rated Current	Ampere Code	Rated Voltage	Breaking Capacity
MP015688	1 A	1100	600V AC / 300V DC	200 kA@600V AC 100 kA@300V DC
MP015689	1.5 A	1150		
MP015690	2 A	1200		
MP015691	3 A	1300		
MP015692	5 A	1500		
MP015693	7 A	1700		
MP015694	12 A	2120		
MP015695	15 A	2150		
MP015696	20 A	2200		
MP015697	25 A	2250		
MP015698	30 A	2300		
MP015699	10 A	2100		

Dimensions : Millimetres

Diagram



Time Current Curve: ACC



Part Number Table

Description	Part Number
Industrial Fuse, Fast Acting, 600V AC, 300V DC, 1A	MP015688
Industrial Fuse, Fast Acting, 600V AC, 300V DC, 1.5A	MP015689
Industrial Fuse, Fast Acting, 600V AC, 300V DC, 2A	MP015690
Industrial Fuse, Fast Acting, 600V AC, 300V DC, 3A	MP015691
Industrial Fuse, Fast Acting, 600V AC, 300V DC, 5A	MP015692
Industrial Fuse, Fast Acting, 600V AC, 300V DC, 7A	MP015693
Industrial Fuse, Fast Acting, 600V AC, 300V DC, 12A	MP015694
Industrial Fuse, Fast Acting, 600V AC, 300V DC, 15A	MP015695
Industrial Fuse, Fast Acting, 600V AC, 300V DC, 20A	MP015696
Industrial Fuse, Fast Acting, 600V AC, 300V DC, 25A	MP015697
Industrial Fuse, Fast Acting, 600V AC, 300V DC, 30A	MP015698
Industrial Fuse, Fast Acting, 600V AC, 300V DC, 10A	MP015699

Important Notice : This data sheet and its contents (the "Information") belong to the members of the AVNET group of companies (the "Group") or are licensed to it. No licence is granted for the use of it other than for information purposes in connection with the products to which it relates. No licence of any intellectual property rights is granted. The Information is subject to change without notice and replaces all data sheets previously supplied. The Information supplied is believed to be accurate but the Group assumes no responsibility for its accuracy or completeness, any error in or omission from it or for any use made of it. Users of this data sheet should check for themselves the Information and the suitability of the products for their purpose and not make any assumptions based on information included or omitted. Liability for loss or damage resulting from any reliance on the Information or use of it (including liability resulting from negligence or where the Group was aware of the possibility of such loss or damage arising) is excluded. This will not operate to limit or restrict the Group's liability for death or personal injury resulting from its negligence. Multicomp Pro is the registered trademark of Premier Farnell Limited 2019.