

1410142-2 ✓ ACTIVE

MULTIGIG RT | MULTIGIG RT 2

TE Internal #: 1410142-2

144 Position High Speed Backplane Connector, 9 Row, 16 Column,  
PCB Mount Receptacle, Vertical, Unshrouded, 1.8 mm [.071 in]  
Centerline, MULTIGIG RT 2

[View on TE.com >](#)



Connectors > PCB Connectors > Backplane Connectors > High Speed Backplane Connectors



Number of Positions: 144

Row-to-Row Spacing: 1.8 mm [.071 in]

Mating Alignment: With

Mating Alignment Type: Polarization

Number of Rows: 9

### Features

#### Product Type Features

Connector & Contact Terminates To	Printed Circuit Board
Compatible with PCB Type	Backplane
Connector System	Board-to-Board
PCB Connector Type	PCB Mount Receptacle
Shroud Style	Unshrouded

#### Configuration Features

Backplane Architecture	Traditional Backplane
Card Slot Centerline	20.3 mm [.8 in]
Number of Positions	144
Number of Rows	9
Number of Columns	16
PCB Mount Orientation	Vertical
Guide Location	Right

#### Contact Features

Contact Current Rating (Max)	1 A
------------------------------	-----

#### Mechanical Attachment

Mating Alignment	With
Mating Alignment Type	Polarization



Connector Mounting Type	Board Mount
-------------------------	-------------

### Housing Features

Number of Shrouded Sides	0
Centerline (Pitch)	1.8 mm [.071 in]

### Dimensions

Row-to-Row Spacing	1.8 mm [.071 in]
--------------------	------------------

### Usage Conditions

Operating Temperature Range	-55 – 105 °C [-67 – 221 °F]
-----------------------------	-----------------------------

### Operation/Application

Circuit Application	Power & Signal
---------------------	----------------

## Product Compliance

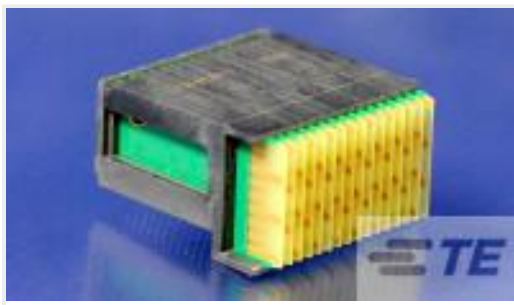
[For compliance documentation, visit the product page on TE.com>](#)

EU RoHS Directive 2011/65/EU	Compliant
EU ELV Directive 2000/53/EC	Compliant
China RoHS 2 Directive MIIT Order No 32, 2016	No Restricted Materials Above Threshold
EU REACH Regulation (EC) No. 1907/2006	Current ECHA Candidate List: JUNE 2024 (241) Candidate List Declared Against: JUNE 2024 (241) Does not contain REACH SVHC
Halogen Content	Low Halogen - Br, Cl, F, I < 900 ppm per homogenous material. Also BFR/CFR/PVC Free
Solder Process Capability	Not applicable for solder process capability

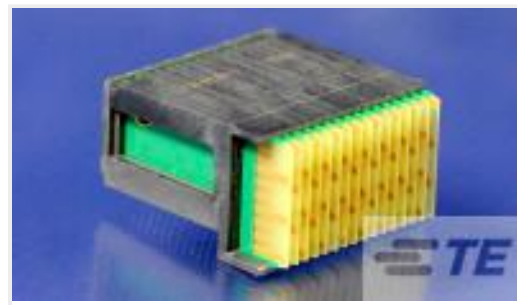
#### Product Compliance Disclaimer

This information is provided based on reasonable inquiry of our suppliers and represents our current actual knowledge based on the information they provided. This information is subject to change. The part numbers that TE has identified as EU RoHS compliant have a maximum concentration of 0.1% by weight in homogenous materials for lead, hexavalent chromium, mercury, PBB, PBDE, DBP, BBP, DEHP, DIBP, and 0.01% for cadmium, or qualify for an exemption to these limits as defined in the Annexes of Directive 2011/65/EU (RoHS2). Finished electrical and electronic equipment products will be CE marked as required by Directive 2011/65/EU. Components may not be CE marked. Additionally, the part numbers that TE has identified as EU ELV compliant have a maximum concentration of 0.1% by weight in homogenous materials for lead, hexavalent chromium, and mercury, and 0.01% for cadmium, or qualify for an exemption to these limits as defined in the Annexes of Directive 2000/53/EC (ELV). Regarding the REACH Regulation, the information TE provides on SVHC in articles for this part number is based on the latest European Chemicals Agency (ECHA) 'Guidance on requirements for substances in articles' posted at this URL: <https://echa.europa.eu/guidance-documents/guidance-on-reach>

## Compatible Parts

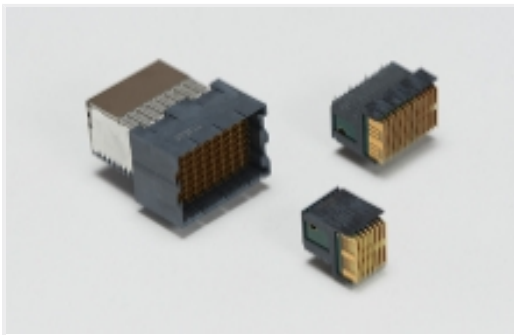


TE Part # 1410139-1  
MULTIGIG RT T2 .8" DC DF F-RGT



TE Part # 1410139-2  
MULTIGIG RT T2 .8 DC DF F-RGT

### Also in the Series | MULTIGIG RT 2



High Speed Backplane Connectors(39)

### Customers Also Bought



TE Part #2344044-1  
2 PORT HDR SEALED MATENET  
ASSY, COD A/B



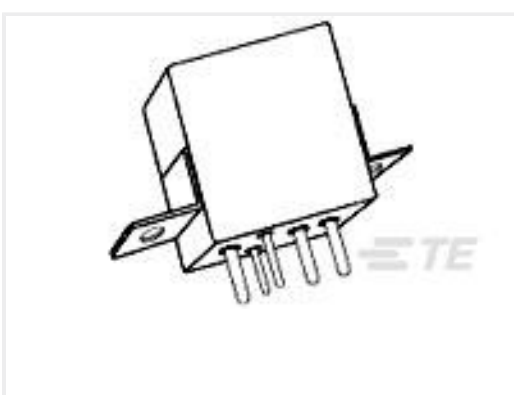
TE Part #1410187-4  
MULTIGIG RT T2 7RW DC DF CT



TE Part #CAT-SIGH262  
Signal Header



TE Part #2102771-2  
Plug Assy, R Angle, 7Row, Cnt, MG,  
RUG



TE Part #2-1617748-4  
FCA-125-18-M6106/19-018



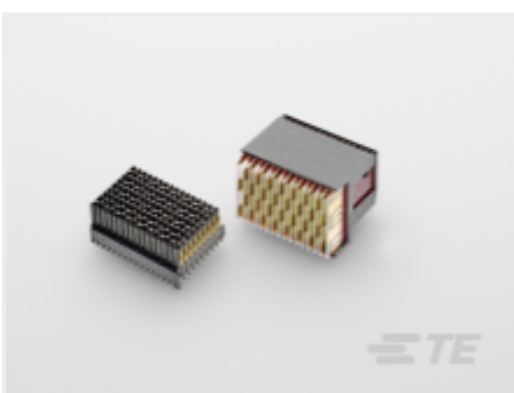
TE Part #2344044-3  
2 PORT HDR SEALED MATENET  
ASSY, COD E/J



TE Part #2000676-9  
Keyed Guide Pin, Machined, Multigig



TE Part #1-1469491-2  
MULTIGIG RT GUIDE PIN, 9MM 2.60



TE Part #2313237-2  
RAPLUGASSY, MGRT3, POWER, DP, SE,  
CENTER



## Documents

### Product Drawings

[MULTIGIG RT T2 .8" BP FULL RGH](#)

English

---

### CAD Files

[3D PDF](#)

3D

Customer View Model

[ENG\\_CVM\\_CVM\\_1410142-2\\_D.2d\\_dxf.zip](#)

English

Customer View Model

[ENG\\_CVM\\_CVM\\_1410142-2\\_D.3d\\_igs.zip](#)

English

Customer View Model

[ENG\\_CVM\\_CVM\\_1410142-2\\_D.3d\\_stp.zip](#)

English

By downloading the CAD file I accept and agree to the [Terms and Conditions](#) of use.

---

### Product Specifications

[Application Specification](#)

English