

Prismatic Supercapacitor



Case SS19

See below:  
[Approvals and Compliances](#)

**Description**

- Prismatic ultra-thin supercapacitors
- Single or double cell version
- Ultra-compact design
- High pulse power

**Unique Selling Proposition**

- High temperature rating
- High power density
- Low ESR with high current handling
- Very low self discharge

**Applications**

- Sensors
- Small mobile devices
- Small power supplies
- Mobile energy harvesting
- Uninterruptible power supply

**Weblinks**

[pdf data sheet](#), [html datasheet](#), [Distributor-Stock-Check](#), [Detailed request for product](#)

**Technical Data**

Rated Voltage	2.75 / 5.5V
Capacity	120 - 2400mF
Allowable Operation Temperature	-40 °C to 85 °C
Storage Conditions	0 °C to 60 °C, max. 70% r.h.
RMS current	4 - 6A
Peak Current	30A
Mounting	PCB,SMT
Soldering Methods	Manual

**Approvals and Compliances**

Detailed information on product approvals, code requirements, usage instructions and detailed test conditions can be looked up in [Details about Approvals](#)

SCHURTER products are designed for use in industrial environments. They have approvals from independent testing bodies according to national and international standards. Products with specific characteristics and requirements such as required in the automotive sector according to IATF 16949, medical technology according to ISO 13485 or in the aerospace industry can be offered exclusively with customer-specific, individual agreements by SCHURTER.

**Approvals**

The approval mark is used by the testing authorities to certify compliance with the safety requirements placed on electronic products.

Approval Reference Type:

Approval Logo	Certificates	Certification Body	Description
	<a href="#">UL Approvals</a>	UL	UR File Number: MH67371






**Product standards**

Product standards that are referenced

Organization	Design	Standard	Description
	Designed according to	UL 810A	Electrochemical Capacitors

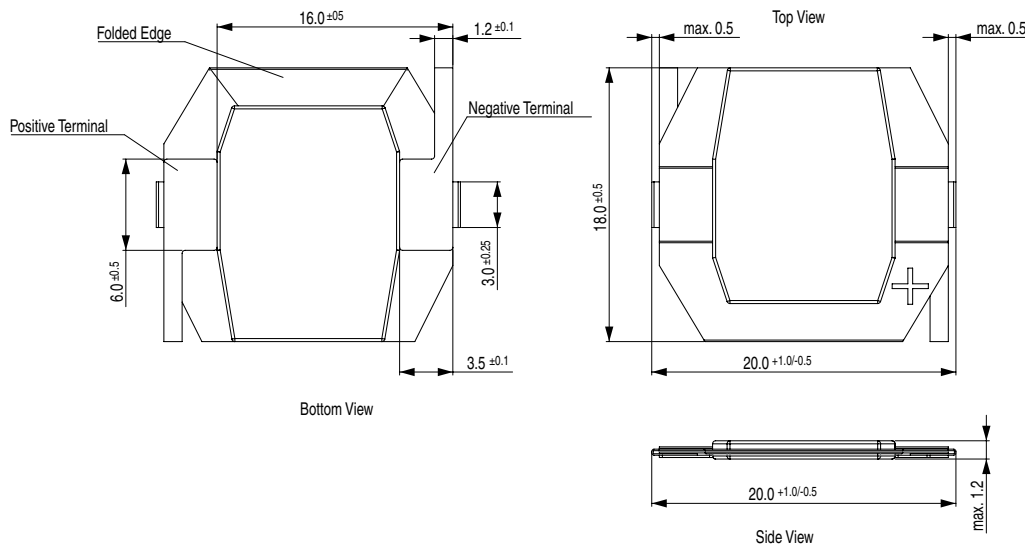
**Compliances**

The product complies with following Guide Lines

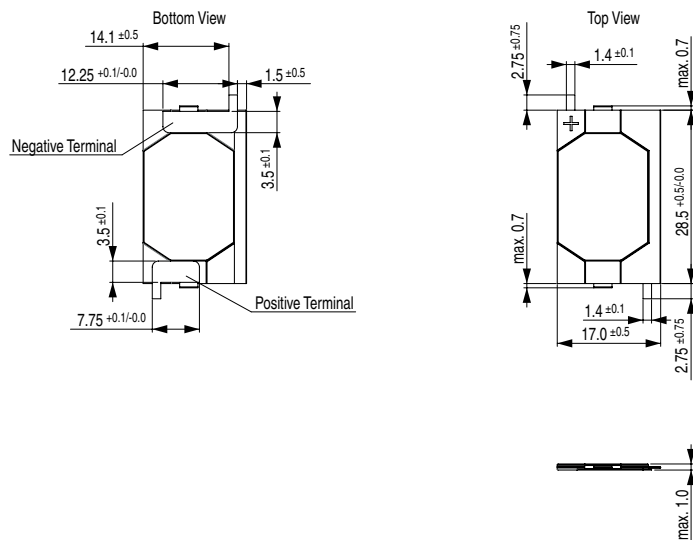
Identification	Details	Initiator	Description
	<a href="#">CE declaration of conformity</a>	SCHURTER AG	The CE marking declares that the product complies with the applicable requirements laid down in the harmonisation of Community legislation on its affixing in accordance with EU Regulation 765/2008.
	<a href="#">UKCA declaration of conformity</a>	SCHURTER AG	The UKCA marking declares that the product complies with the applicable requirements laid down in the British Amendment of Regulation (EC) 765/2008.
	RoHS	SCHURTER AG	Directive RoHS 2011/65/EU, Amendment (EU) 2015/863
	China RoHS	SCHURTER AG	The law SJ / T 11363-2006 (China RoHS) has been in force since 1 March 2007. It is similar to the EU directive RoHS.
	REACH	SCHURTER AG	On 1 June 2007, Regulation (EC) No 1907/2006 on the Registration, Evaluation, Authorization and Restriction of Chemicals 1 (abbreviated as "REACH") entered into force.

**Dimension [mm]**

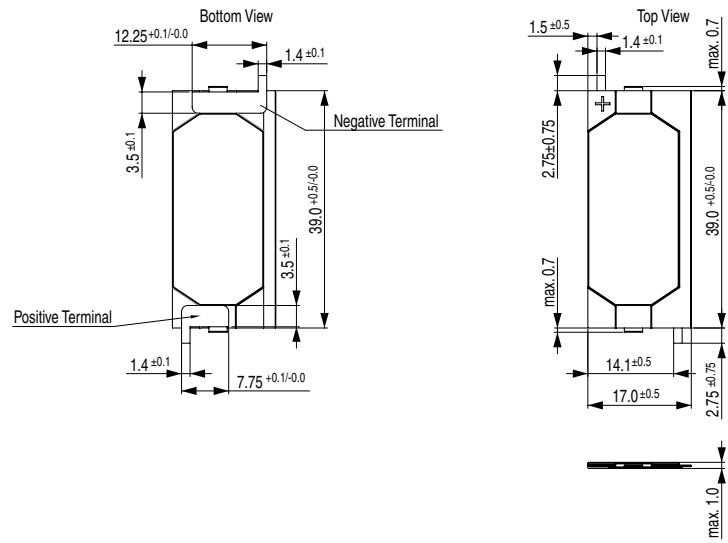
Case AS12



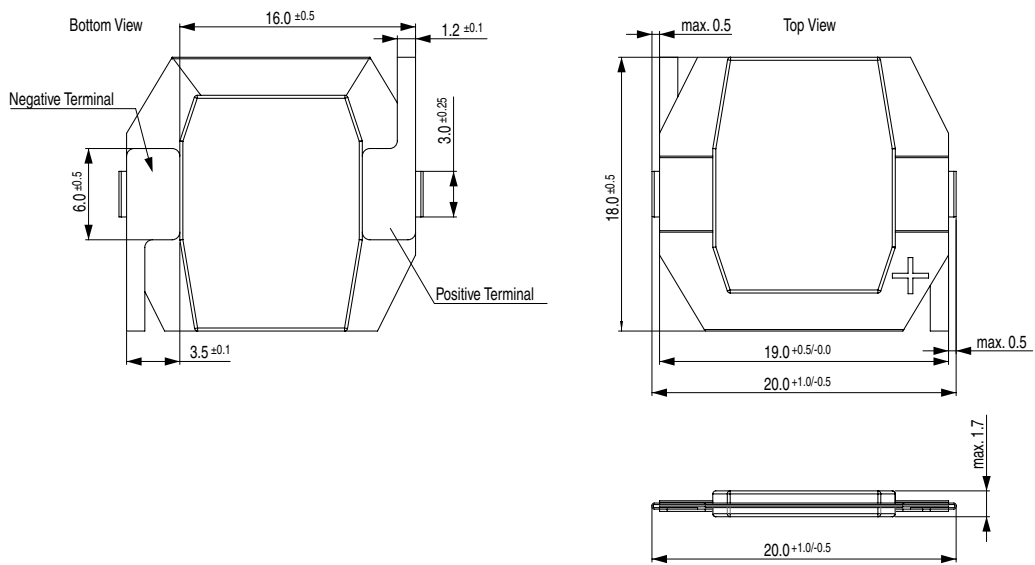
Case WS10



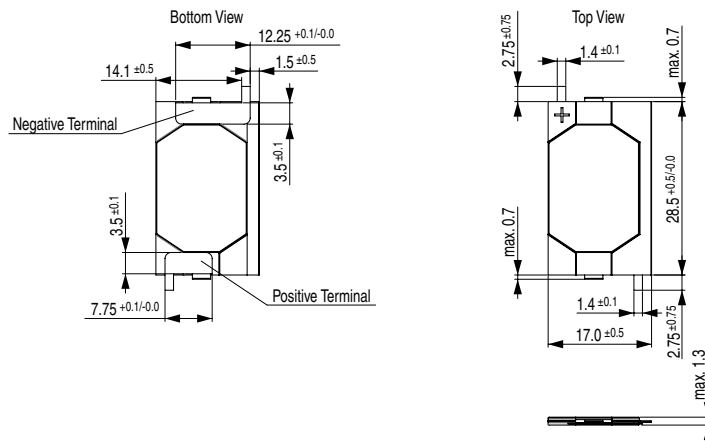
Case SS10



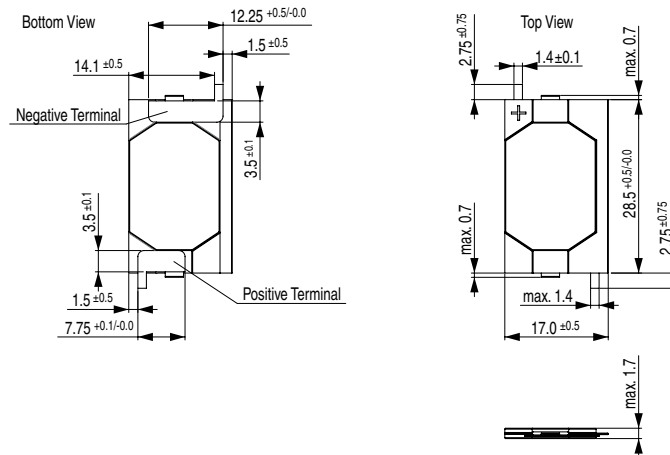
Case AS17



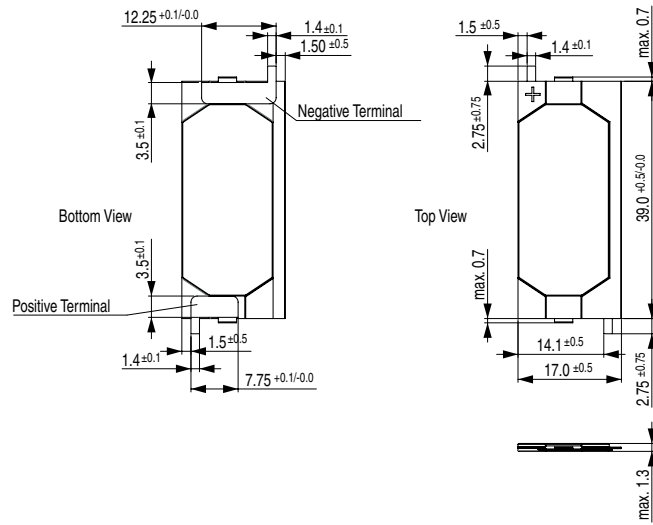
Case WS13



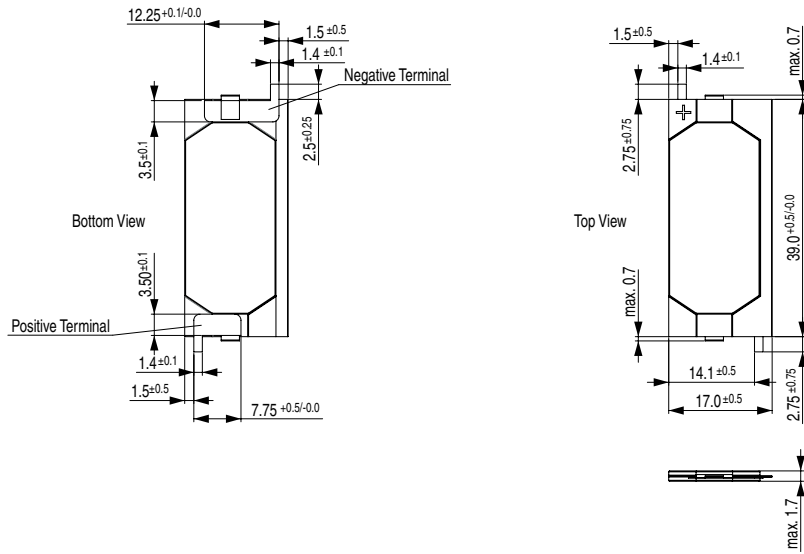
Case WS17



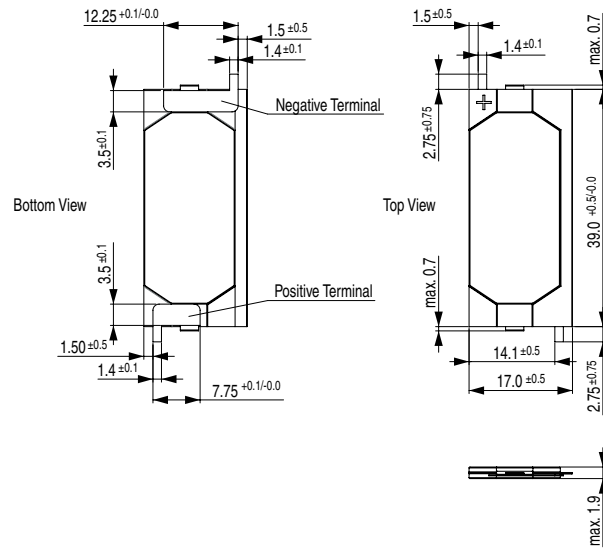
Case SS13



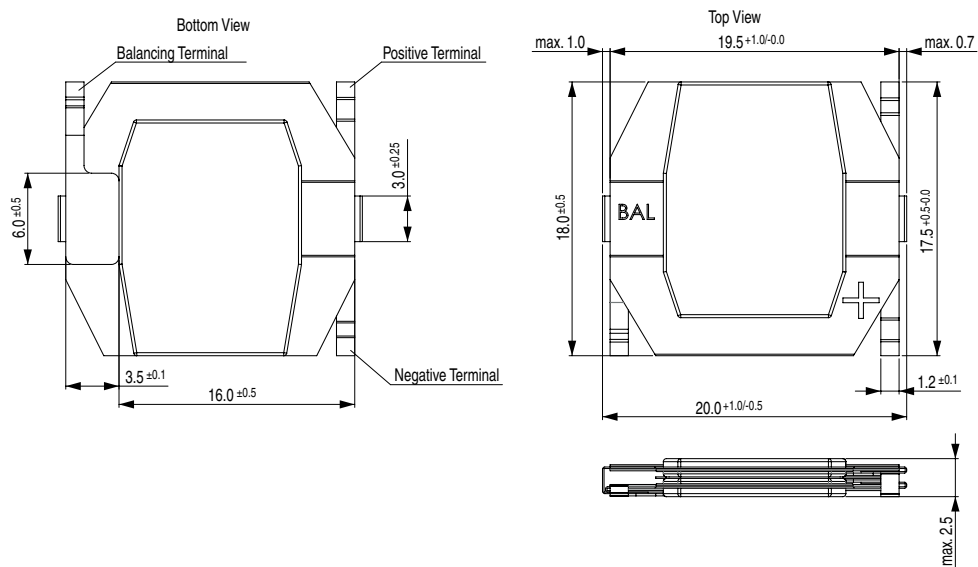
Case SS17



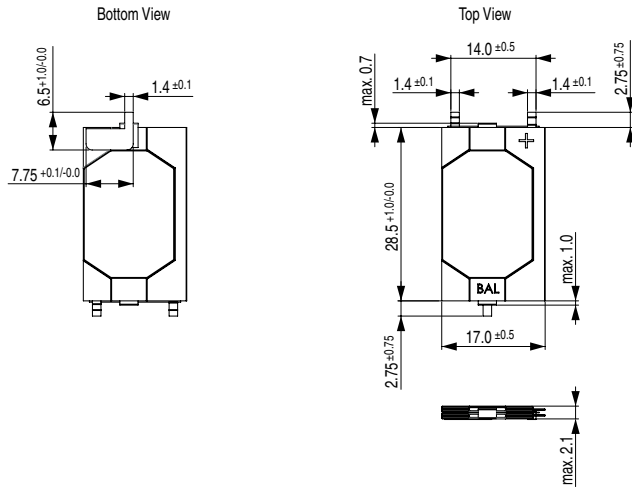
Case SS19



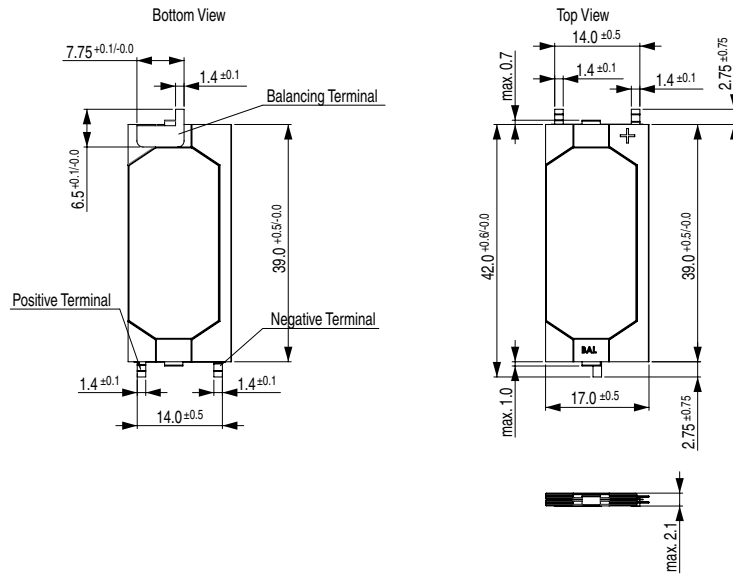
Case AS25



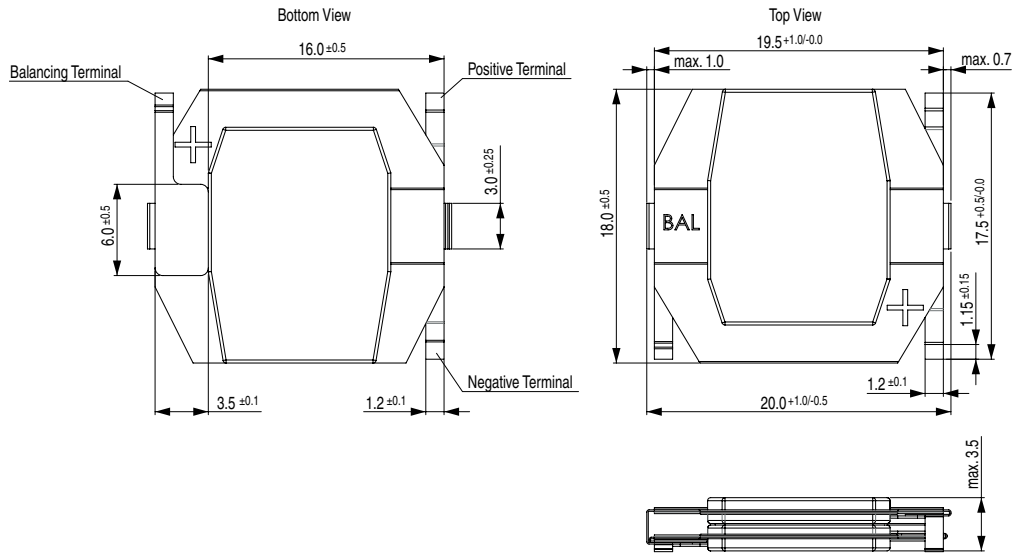
Case WS21



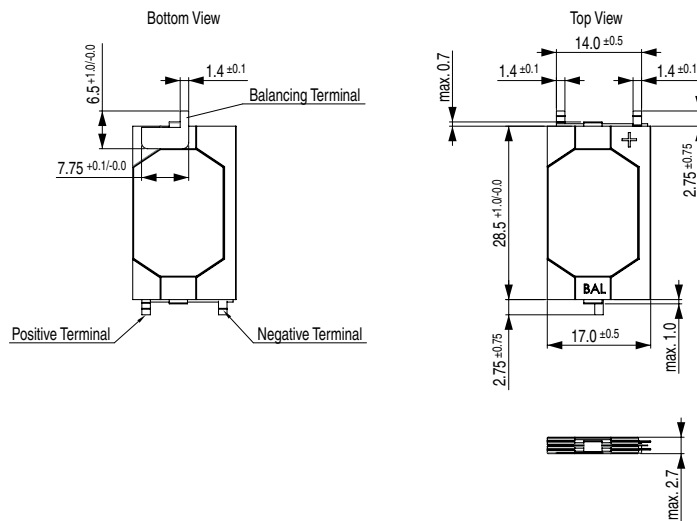
Case SS21



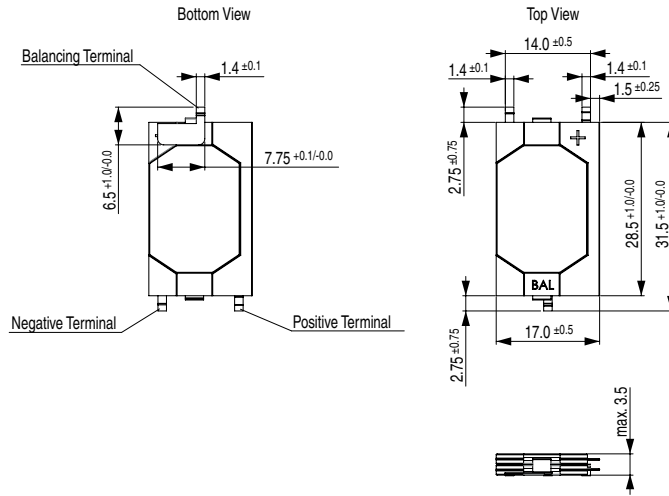
Case AS35



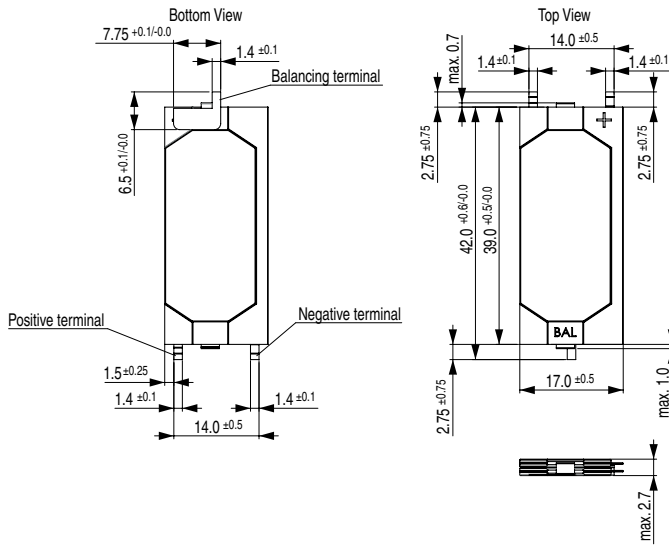
Case WS27



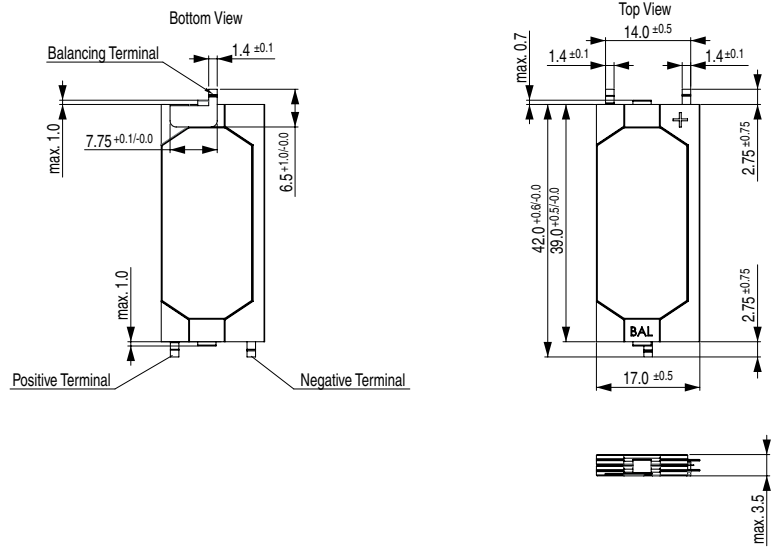
Case WS34



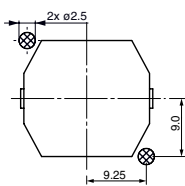
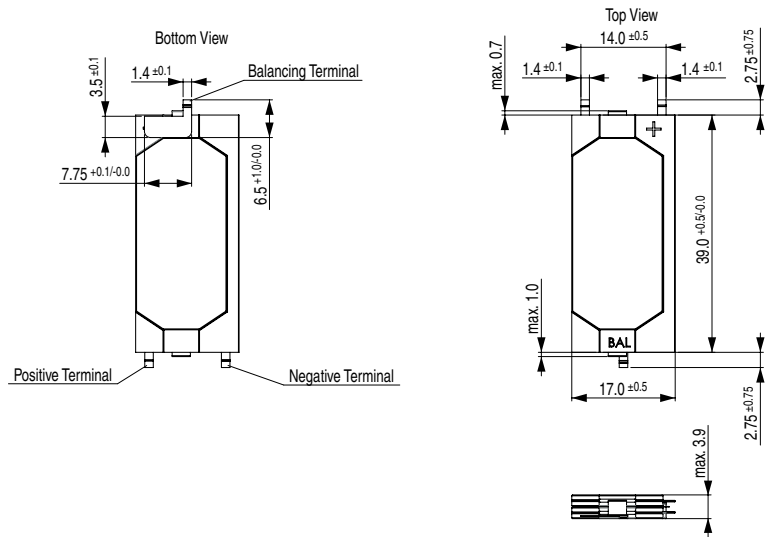
Case SS27



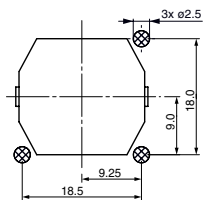
Case SS34



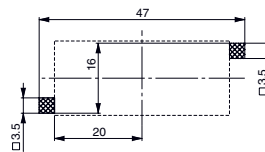
Case SS39



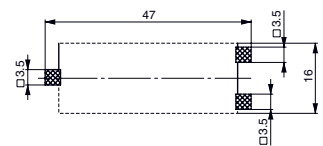
Soldering pads to Case AS10, AS17



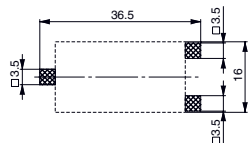
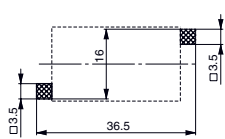
Soldering pads to Case AS12, AS17



Soldering pads to Case SS10, SS13, SS17, SS19



Soldering pads to Case SS21, SS27, SS34, SS39



Soldering pads to Case WS10,WS13,  
WS17

Soldering pads to Case WS21,WS27,  
WS34

### Variants

Cell Type	Rated Voltage [V]	Capacity (DC, 23°C, ±20%) [mF]	ESR max. (AC@1kHz, 23°C) [mΩ]	Leakage Current typ. (120h, U <sub>R</sub> , 23°C) [μA]	Leakage Current max. (120h, U <sub>R</sub> )	RMS current (23°C) [A]	Peak Current (23°C) [A]	Housing	Order Number
Low ESR Single Cell	2.75	240	60	1	2	4	30	AS12	3-153-433
Low ESR Single Cell	2.75	300	50	1	2	4	30	WS10	3-153-434
Low ESR Single Cell	2.75	500	30	1	2	6	30	SS10	3-153-435
Low ESR Single Cell	2.75	760	50	1	2	3	30	WS13	3-153-436
Low ESR Single Cell	2.75	800	65	1	2	3	30	AS17	3-153-437
Low ESR Single Cell	2.75	1000	40	1	2	6	30	WS17	3-153-438
Low ESR Single Cell	2.75	1300	30	1	2	6	30	SS13	3-153-439
Low ESR Single Cell	2.75	1800	25	1	2	5	30	SS17	3-153-440
Low ESR Single Cell	2.75	2400	25	3	5	6	30	SS19	3-153-441
Low ESR Dual Cell	5.5	120	120	1	2	4	30	AS25	3-153-442
Low ESR Dual Cell	5.5	150	100	1	2	4	30	WS21	3-153-443
Low ESR Dual Cell	5.5	250	55	1	2	6	30	SS21	3-153-444
Low ESR Dual Cell	5.5	380	100	1	2	3	30	WS27	3-153-445
Low ESR Dual Cell	5.5	400	130	1	2	4	30	AS35	3-153-446
Low ESR Dual Cell	5.5	500	75	1	2	6	30	WS34	3-153-447
Low ESR Dual Cell	5.5	650	55	1	2	6	30	SS27	3-153-448
Low ESR Dual Cell	5.5	900	45	1	2	5	30	SS34	3-153-449
Low ESR Dual Cell	5.5	1200	45	3	5	6	30	SS39	3-153-450

Availability for all products can be searched real-time: <https://www.schurter.com/en/info-center/support-tools/stock-check-distributors>

### Packaging Unit

100 Pcs