

PE-5760NL

4

3

2

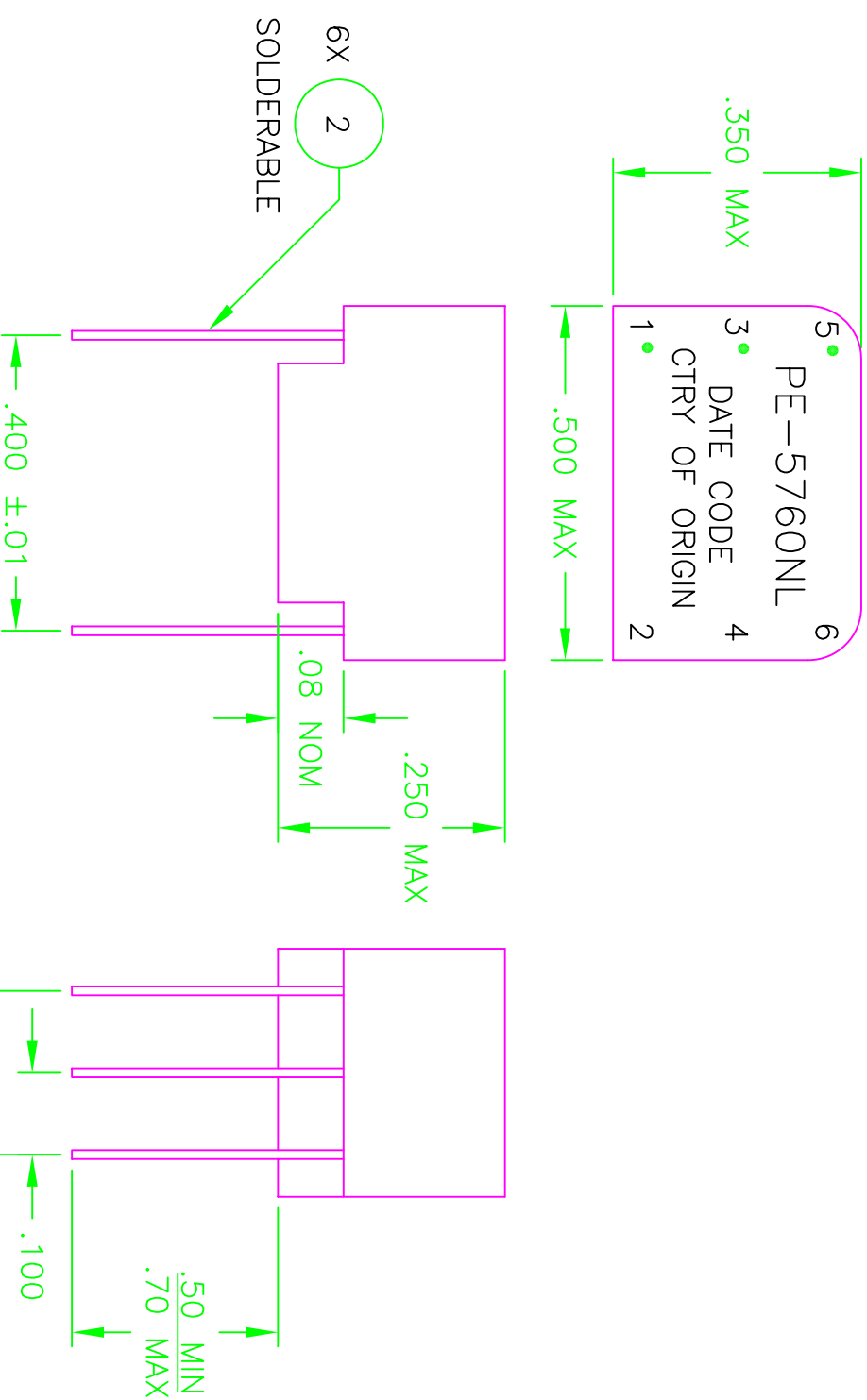
1

NOTICE: THE INFORMATION AND DESIGN CONTAINED HEREIN IS THE PROPERTY OF PULSE WHO RESERVES ALL RIGHTS THERETO.

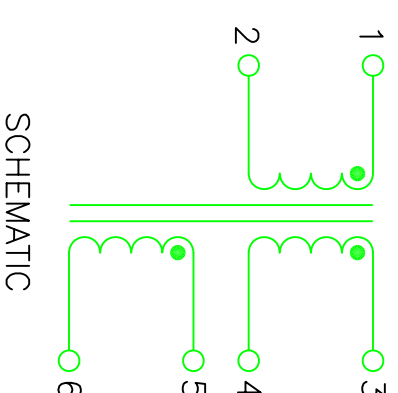
ELECTRICAL CHARACTERISTICS:

ELECTRICAL @ 25°C

PARAMETER	INDUCTANCE	5000 μ H MIN (MEASURE AT 1 KHz/20 mVRMS)
COUPLING CAPACITANCE		70 pF MAX
LEAKAGE INDUCTANCE		1.3 μ H MAX
TURN RATIO		1:1:1
INSULATION RESISTANCE		10 KMOHMS MIN
ISOLUATION		500 VDC BETWEEN WINDINGS



FINAL OUTLINE
FIGURE 3



SCHEMATIC

12OCT2004

4

3

2

1

UNLESS OTHERWISE SPECIFIED, ALL DIMENSIONS ARE IN INCHES
TOLERANCES ARE:

DECIMALS	ANGLES
.XX \pm .01	\pm 1°
.XXX \pm .005	

DO NOT SCALE DRAWING

SIZE	CAGE CODE	DWG. NO.	PE-5760NL
B	01961		
SCALE	NONE	CAUD FILE	PE-5760NL-4
SHEET	4 OF 4	REV.	11