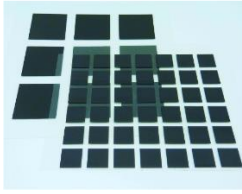


FLEXIBLE FERRITE SHEET

Kitagawa series: FFS



- Better insulation properties and more effective at low frequencies compared to EMI sheets.
- High performance material with excellent noise suppression.
- Supplied with double sided adhesive tape.
- Simply attach to desired area.
- Cut to standard IC sizes.

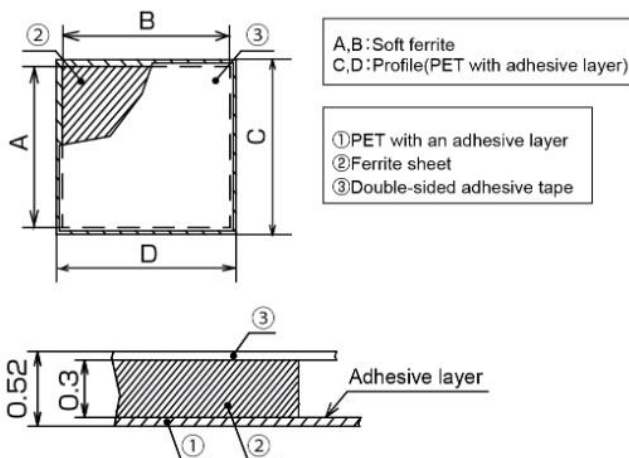


Material

- PET with adhesive layer PET.
- Ferrite sheet.
- Double sided adhesive tape.

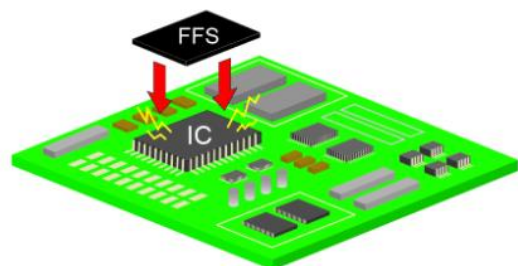
Part Number	A	B	C	D
FFS-0.3-1010T	10	10	11.5	11.5
FFS-0.3-1020T	10	20	11.5	21.5
FFS-0.3-1515T	15	15	16.5	16.5
FFS-0.3-2020T	20	20	21.5	21.5
FFS-0.3-2030T	20	30	21.5	31.5
FFS-0.3-2525T	25	25	26.5	26.5
FFS-0.3-3030T	30	30	31.5	31.5
FFS-0.3-5050T	50	50	55	55

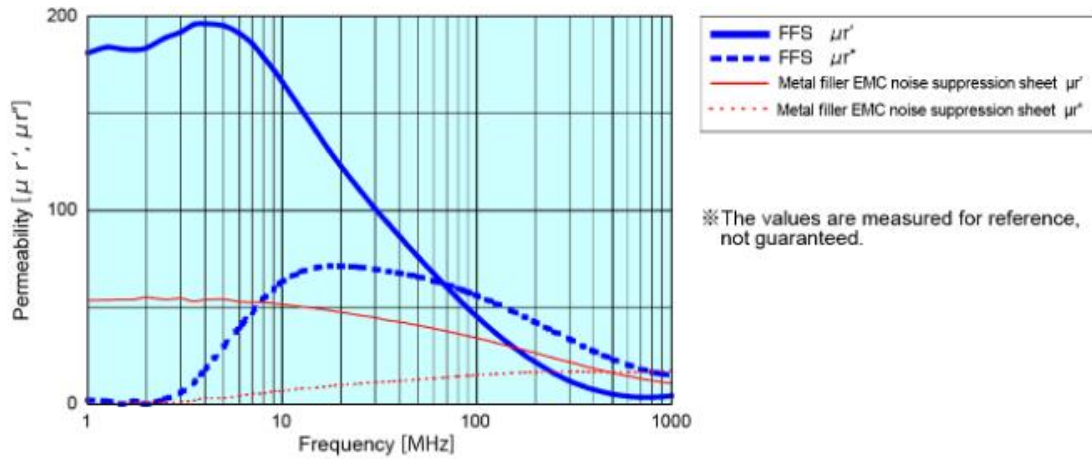
Units in mm



Application

- EMC suppression for IC





Mounting FFS onto IC device



Gently bend the liner while take the ferrite sheet off.

It is not recommended to remove and reuse the product once it has been stuck down.

For engineering drawings, 3D files or additional test data please contact our [sales team](#).

ANNOTATION

All specifications shown herein are typical values and are not guaranteed. It is recommended to test in the application for suitability.