

PLEASE CHECK WWW.MOLEX.COM FOR LATEST PART INFORMATION

Part Number: **0355060510**
Status: **Active**
Description: 2.79mm MP-Lock Tab Housing, Female, 5 Circuits

Documents:

[3D Model](#) [Packaging Specification PK-35506-001-001 \(PDF\)](#)
[Drawing \(PDF\)](#) [RoHS Certificate of Compliance \(PDF\)](#)
[Product Specification PS-35506-001 \(PDF\)](#)

General

Product Family Crimp Housings
 Series [35506](#)
 Application Power
 Product Name MP-Lock
 UPC 756054283721

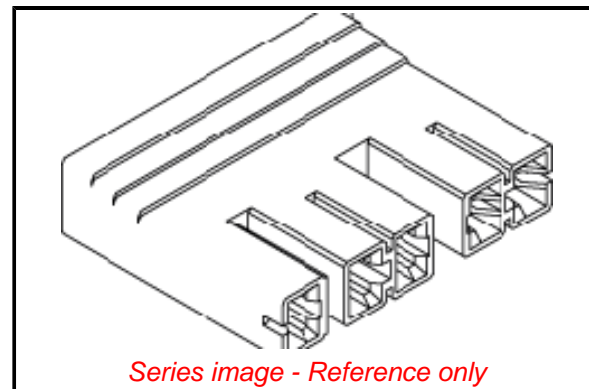
Physical

Circuits (maximum) 5
 Gender Receptacle
 Glow-Wire Compliant No
 Net Weight 2.693/g
 Number of Rows 1
 Packaging Type Bag
 Panel Mount No
 Pitch - Mating Interface 4.80mm, 6.00mm, 6.50mm
 Pitch - Termination Interface 4.80mm, 6.00mm, 6.50mm
 Stackable No
 Temperature Range - Operating -40°C to +105°C

Material Info

Reference - Drawing Numbers

Packaging Specification PK-35506-001-001
 Product Specification PS-35506-001
 Sales Drawing SD-35506-001, SD-35546-003



EU ELV

Not Relevant

EU RoHS

Compliant

REACH SVHC

Not Contained Per -
 ED/30/2017 (7 July
 2017)

Halogen-Free

Status

Not Low-Halogen

**Need more information on product
 environmental compliance?**

Email productcompliance@molex.com
 Please visit the [Contact Us](#) section for any
 non-product compliance questions.

China ROHS

ELV

RoHS Phthalates

China RoHS

Green Image

Not Relevant

Not Contained

Search Parts in this Series

[35506 Series](#)

Mates With

2.79mm Tab

Use With

35097-9*12