

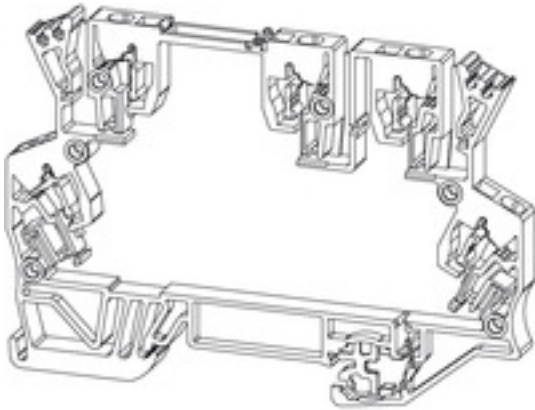
**GH MCZUE1.5/UE BL 1667****Weidmüller Interface GmbH & Co. KG**

Klingenbergstraße 26

D-32758 Detmold

Germany

www.weidmueller.com



Open miniature housing in modular terminal format with five tension clamp connections. A transparent hinged top plate can be used for labelling and provides access to potentiometer and status displays. Plug-in cross-connectors can be used to interconnect the three top connections. A cover plate for closing off the housing is also available.

**General ordering data**

Version	Mounting rail housing, OMNIMATE Housing - TERMINALBOX blue, Housing base part, Width: 6 mm
Order No.	<a href="#">2463200000</a>
Type	GH MCZUE1.5/UE BL 1667
GTIN (EAN)	4050118479522
Qty.	100 pc(s).

Creation date December 4, 2023 4:01:00 PM CET

Catalogue status 24.11.2023 / We reserve the right to make technical changes.

## GH MCZUE1.5/UE BL 1667

**Weidmüller Interface GmbH & Co. KG**

Klingenbergstraße 26

D-32758 Detmold

Germany

www.weidmueller.com

## Technical data

### Dimensions and weights

Height	63 mm	Height (inches)	2.48 inch
Width	6 mm	Width (inches)	0.236 inch
Length	91 mm	Length (inches)	3.583 inch
Net weight	12.5 g		

### Material data

Comparative Tracking Index (CTI)	600 ≤ CTI	Insulating material	PA 66
Insulating material group	I	UL 94 flammability rating	V-0

### General data

Colour	blue	Colour chart (similar)	RAL 5012
Encapsulation option	Yes	Protection degree	IP20
Rail	TS 32, TS 35		

### Design - IN requirements

PCB thickness	1 mm	Tolerance for the PCB shape	±0.1 mm
Tolerance of circuit board thickness	±0.1 mm		

### Individualization options

Alternative colours	More on request	Customer specific cutouts possible	No
Customer specific labelling possible	Yes		

### Assembly properties

Number of connection levels	2	Number of PCBs, max.	1
Cross-connection	Yes	Type of connection	without, Connection element

### Housing properties

Flip cover mountable	Yes	Marker integrateable	Yes
Cut out in clip-on foot area as preparation for	PE-contact, Contact included!		

### Classifications

ETIM 6.0	EC001031	ETIM 7.0	EC001031
ETIM 8.0	EC001031	ETIM 9.0	EC001031
ECLASS 9.0	27-18-27-90	ECLASS 10.0	27-18-27-92
ECLASS 11.0	27-18-27-92	ECLASS 12.0	27-18-27-92
ECLASS 13.0	27182792		

### Approvals

ROHS	Conform
------	---------

**GH MCZUE1.5/UE BL 1667**

**Weidmüller Interface GmbH & Co. KG**  
Klingenbergstraße 26  
D-32758 Detmold  
Germany

[www.weidmueller.com](http://www.weidmueller.com)

**Technical data****Downloads**

---

Engineering Data	<a href="#">CAD data – STEP</a>
Catalogues	<a href="#">Catalogues in PDF-format</a>
Brochures	<a href="#">FL ANALO.SIGN.CONV. EN</a> <a href="#">MB DEVICE MANUF. EN</a> <a href="#">FL MACHINE SAFETY EN</a> <a href="#">FL 72H SAMPLE SER EN</a> <a href="#">PO OMNIMATE EN</a>

---

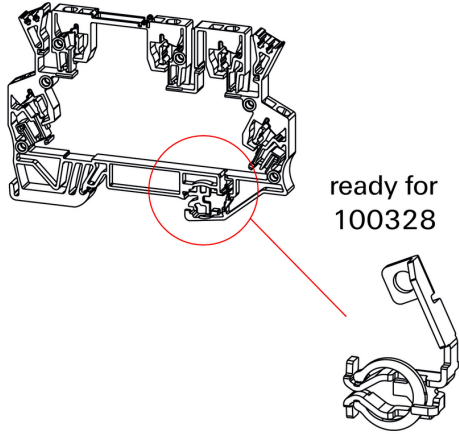
**Data sheet**

**GH MCZUE1.5/UE BL 1667**

**Weidmüller Interface GmbH & Co. KG**  
Klingenbergstraße 26  
D-32758 Detmold  
Germany

[www.weidmueller.com](http://www.weidmueller.com)

**Drawings**



## GH MCZUE1.5/UE BL 1667

**Weidmüller Interface GmbH & Co. KG**

Klingenbergstraße 26

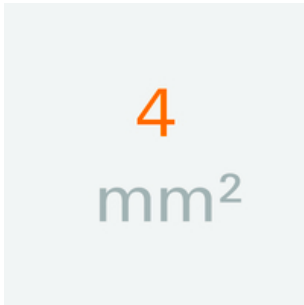
D-32758 Detmold

Germany

[www.weidmueller.com](http://www.weidmueller.com)

## Accessories

### 4 mm<sup>2</sup>



The plug-in cross-connections feature easy handling and quick installation. This saves a great deal of time during installation in comparison with screwed solutions.

### General ordering data

Type	ZQV 4N/32
Order No.	<a href="#">2561670000</a>
GTIN (EAN)	4050118570175
Qty.	5 pc(s).
Type	ZQV 4N/5
Order No.	<a href="#">1527980000</a>
GTIN (EAN)	4050118332759
Qty.	60 pc(s).
Type	ZQV 4N/10
Order No.	<a href="#">1528090000</a>
GTIN (EAN)	4050118332896
Qty.	20 pc(s).
Type	ZQV 4N/3
Order No.	<a href="#">1527940000</a>
GTIN (EAN)	4050118332865
Qty.	60 pc(s).
Type	ZQV 4N/30
Order No.	<a href="#">2561580000</a>
GTIN (EAN)	4050118570113
Qty.	5 pc(s).
Type	ZQV 4N/9
Order No.	<a href="#">1528070000</a>
GTIN (EAN)	4050118332797
Qty.	20 pc(s).
Type	ZQV 4N/2
Order No.	<a href="#">1527930000</a>
GTIN (EAN)	4050118332766
Qty.	60 pc(s).
Type	ZQV 4N/7
Order No.	<a href="#">1528020000</a>
GTIN (EAN)	4050118332780
Qty.	20 pc(s).
Type	ZQV 4N/4
Order No.	<a href="#">1527970000</a>
GTIN (EAN)	4050118332889
Qty.	60 pc(s).
Type	ZQV 4N/50
Order No.	<a href="#">1528130000</a>
GTIN (EAN)	4050118332902
Qty.	5 pc(s).

Creation date December 4, 2023 4:01:00 PM CET

Catalogue status 24.11.2023 / We reserve the right to make technical changes.

## GH MCZUE1.5/UE BL 1667

**Weidmüller Interface GmbH & Co. KG**  
 Klingenbergstraße 26  
 D-32758 Detmold  
 Germany

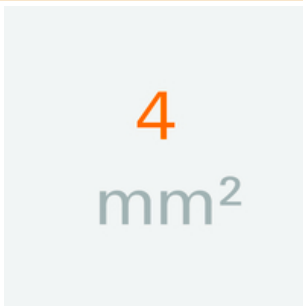
[www.weidmueller.com](http://www.weidmueller.com)

## Accessories

Type	ZQV 4N/6
Order No.	<a href="#">1527990000</a>
GTIN (EAN)	4050118332919
Qty.	20 pc(s).

Type	ZQV 4N/8
Order No.	<a href="#">1528030000</a>
GTIN (EAN)	4050118332841
Qty.	20 pc(s).

### 4 mm<sup>2</sup>



The plug-in cross-connections feature easy handling and quick installation. This saves a great deal of time during installation in comparison with screwed solutions.

### General ordering data

Type	ZQV 4N/3 SW	Version
Order No.	<a href="#">1794000000</a>	W-Series, Cross-connector, 32 A
GTIN (EAN)	4032248233793	
Qty.	60 pc(s).	

Type	ZQV 4N/10 SW	Version
Order No.	<a href="#">1794060000</a>	W-Series, Cross-connector, 32 A
GTIN (EAN)	4032248234059	
Qty.	20 pc(s).	

Type	ZQV 4N/41 SW	Version
Order No.	<a href="#">1794090000</a>	W-Series, Cross-connector, 32 A
GTIN (EAN)	4032248234165	
Qty.	10 pc(s).	

Type	ZQV 4N/4 SW	Version
Order No.	<a href="#">1794030000</a>	W-Series, Cross-connector, 32 A
GTIN (EAN)	4032248233915	
Qty.	60 pc(s).	

Type	ZQV 4N/20 SW	Version
Order No.	<a href="#">1909120000</a>	W-Series, Cross-connector, 32 A
GTIN (EAN)	4032248535804	
Qty.	20 pc(s).	