

IE-PCBR-M12X-S-180

Weidmüller Interface GmbH & Co. KG
Klingenbergstraße 26
D-32758 Detmold
Germany

www.weidmueller.com



General ordering data

Version	PCB plug-in connector, M12, Solder connection, Cat.6A / Class EA (ISO/IEC 11801 2010), IP67, when screwed in, Reflow compatible, Back panel mounting, 1-part
Order No.	1427670000
Type	IE-PCBR-M12X-S-180
GTIN (EAN)	4050118231915
Qty.	10 pc(s).

Creation date December 4, 2023 1:18:04 PM CET

Catalogue status 24.11.2023 / We reserve the right to make technical changes.

IE-PCBR-M12X-S-180**Weidmüller Interface GmbH & Co. KG**

Klingenbergstraße 26

D-32758 Detmold

Germany

www.weidmueller.com

Technical data**Dimensions and weights**

Wall thickness, min.	0.9 mm	Wall thickness, max.	2.5 mm
Net weight	16 g		

Temperatures

Operating temperature	-40 °C...85 °C
-----------------------	----------------

Technical data of PCB plug-in connector

Coding	X-coded	Number of poles	8
Rated voltage	48 V	Protection degree	IP67, when screwed in
Contact surface	Gold over nickel	Housing main material	CuZn
Connection thread	M12	Insulation strength	100 MΩ
Plugging cycles	≥ 100	Contact material	CuZn

General Info

Number of poles	8	Connection 1	M12
Connection 2	Solder connection	Configuration	Reflow compatible, Back panel mounting
Housing main material	CuZn	Category	Cat.6A / Class EA (ISO/ IEC 11801 2010)
Connection thread	M12	Contact material	CuZn
Contact surface	Gold over nickel	Shielding material	CuSn
Shielding	360° all-round enclosure	Protection degree	IP67, when screwed in
Plugging cycles	≥ 100		

Classifications

ETIM 6.0	EC002638	ETIM 7.0	EC003568
ETIM 8.0	EC003568	ETIM 9.0	EC003568
ECLASS 9.0	27-44-03-09	ECLASS 9.1	27-44-03-09
ECLASS 10.0	27-44-03-09	ECLASS 11.0	27-44-01-10
ECLASS 12.0	27-44-01-10	ECLASS 13.0	27440110

Environmental Product Compliance

REACH SVHC	Lead 7439-92-1
SCIP	67cf1078-beca-4687-860b-dc475a6ec24a

Approvals

Approvals



ROHS	Conform
UL File Number Search	UL Website
Certificate no. (cULus)	E316369

Creation date December 4, 2023 1:18:04 PM CET

Catalogue status 24.11.2023 / We reserve the right to make technical changes.

2

IE-PCBR-M12X-S-180

Weidmüller Interface GmbH & Co. KG
Klingenbergstraße 26
D-32758 Detmold
Germany

www.weidmueller.com

Technical data

Downloads

Approval/Certificate/Document of Conformity	DUXR.E316369 CC Link IE Field M12-X PROFINET Manufacturer's Declaration
Engineering Data	CAD data – STEP
User Documentation	MAN IE GUIDE DE MAN IE GUIDE EN
Catalogues	Catalogues in PDF-format
Brochures	MB FREECONTACT EN FL FIELDWIRING EN PI PROFINET CABLING EN PI PROFINET CABLING EN

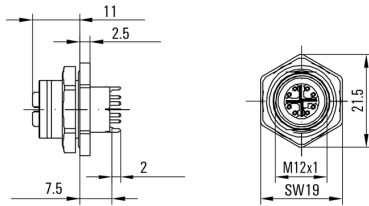
IE-PCBR-M12X-S-180

Weidmüller Interface GmbH & Co. KG
Klingenbergstraße 26
D-32758 Detmold
Germany

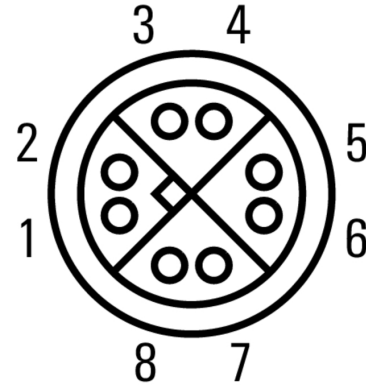
www.weidmueller.com

Drawings

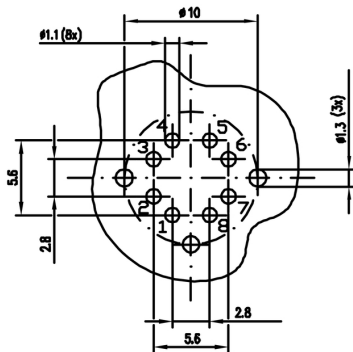
Dimensioned drawing



Pinning



Drilling template



Installation cut-out

