



BUCHANAN WIREMATE CONNECTORS

TE Connectivity (TE)'s low profile printed circuit board (PCB) connectors are highly reliable for LED lighting applications and accommodate multiple design requirements with up to 6 position connector configurations. The releasable poke-in wire connector features an integral conductor release mechanism recessed below the top side of the connector. This mechanism is designed to support multiple insertion and release cycles and requires no special tooling. The modular version of the releasable poke-in connector helps enable flexibility in design and color configurations supports easy identification.

INDEX

BUCHANAN WIREMATE CONNECTORS



03-04

SLIM POKE-IN SERIES

NON-RELEASABLE

Current rating: 6-16A

Voltage rating: 300 VAC



05-06

SLIM POKE-IN SERIES

RELEASABLE

Current rating: 6-10A

Voltage rating: 300 VAC



07-08

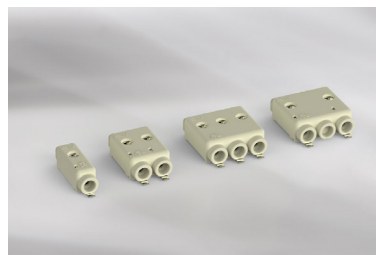
POKE-IN SERIES

RELEASABLE

Current rating: 6A with 18AWG

5A with 20 AWG & 22 AWG

Voltage rating: 400 VAC



09-11

POKE-IN SERIES

RELEASABLE

Current rating: 5-9A

Voltage rating: 600 VAC/DC



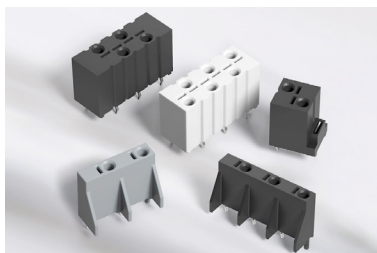
12-13

MICRO POKE-IN SERIES

NON-RELEASABLE

Current rating: 3A Max

Voltage rating: 250 VAC/DC



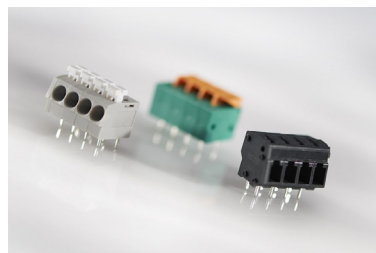
14-15

VERTICAL POKE-IN SERIES

RELEASABLE

Current rating: 6A Max

Voltage rating: 600 VAC Max



16-17

MODULAR SCREWLESS SERIES

RELEASABLE

Current rating: Up to 10A Max

Voltage rating: 300 VAC Max



18-19

SURFACE MOUNT TB SERIES

RELEASABLE

Current - Voltage rating:

3.5mm: 2-12 position: 8A @ 300 VAC

5.0mm: 2-9 position: 15A @ 300 VAC

5.0mm: 10-12 position: 10A @ 300 VAC



BUCHANAN WIREMATE CONNECTOR

SLIM POKE-IN SERIES

TE Connectivity (TE)'s BUCHANAN WireMate connector slim poke-in series are developed for wire to PCB connection. The slim connector with no housing serves as an easy poke-in connector with strong retention ability. The advantage of using this connector is that the conductor can be connected quickly without special tools and the small profile helps save the space on the PCB.

APPLICATIONS

- LED Lighting Systems
- Home Automation
- Security Systems
- Telecommunications

ELECTRICAL

- Voltage rating: 300 VAC Max
- Dielectric strength: 2000 VAC

MECHANICAL

- Operating temperature range: -40°C to 125°C
- Wire retention: 30N Minimum
- Current rating: see table below

MATERIALS

- Contact: Copper alloy and tin plating

STANDARDS & SPECIFICATIONS

- Application Specification: [114-137049](#)
- Product Specification: [108-137049](#)
- UL Approval: UL1977

CURRENT RATINGS

Part Number	16 AWG	18 AWG	20 AWG	22 AWG	24 AWG
2834010-3	-	-	11A	8A	6A
2834012-3	16A	13A	11A	-	-

BENEFITS

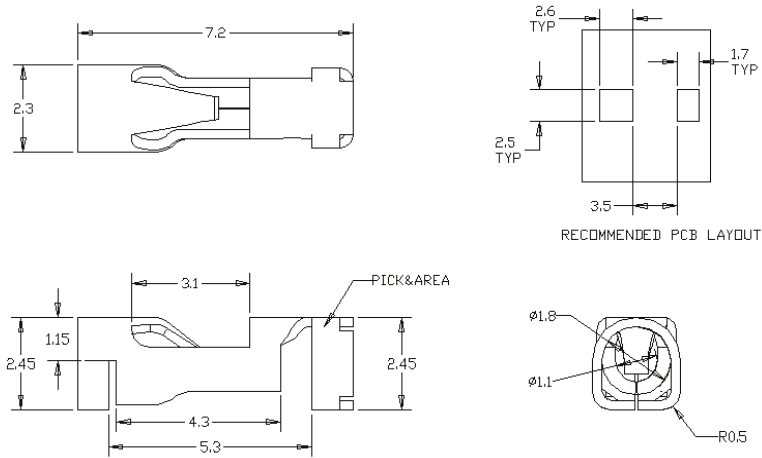
- Quick solderless poke-in connector design
- Slim contacts that have no covering housing
- Several solutions for solid and stranded wire from 16 AWG to 24 AWG
- Safety standards with UL/CQC approval
- Available in tape & reel packaging

PRODUCT SELECTION INFORMATION

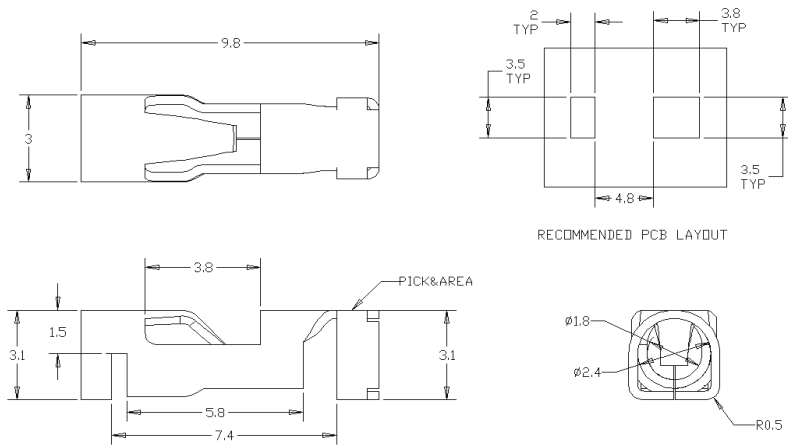
Part Number	Description
2834010-3	For wire 20, 22 and 24 AWG
2834012-3	For wire 16, 18 and 20 AWG

DIMENSIONS

[2834010-3](#)



[2834012-3](#)





BUCHANAN WIREMATE CONNECTOR

SLIM POKE-IN SERIES

TE Connectivity (TE)'s BUCHANAN WireMate connector slim poke-in series is designed for quick and easy wire-to-board and board-to-board connectivity in a low profile, slim form factor. The releasable contact function along with the design for multiple wire sizes supports convenience in installation and rework. Additionally, the low profile and small footprint provides for high density and compact PCB designs

APPLICATIONS

- Telecommunication Systems
- Lighting Systems
- Security
- Room and Area Lighting

ELECTRICAL

- Current Rating: 10A for wire 18 AWG
6A for wire 20 AWG & 22 AWG
4A for board to board connection
- Voltage Rating: 300 VAC Max

MECHANICAL

- Operating Temperature: -40°C to +105°C
- Wire Gauge-
2834167-3: 18-22 AWG (solid/stranded)
2834171-3: 20-24 AWG (solid/stranded)
- Tin dipped required for stranded

MATERIALS

- Contact: Copper alloy with tin plating

STANDARDS & SPECIFICATIONS

- Application Specification: [114-137166](#)
- Product Specification: [108-137166](#)

PRODUCT SELECTION INFORMATION

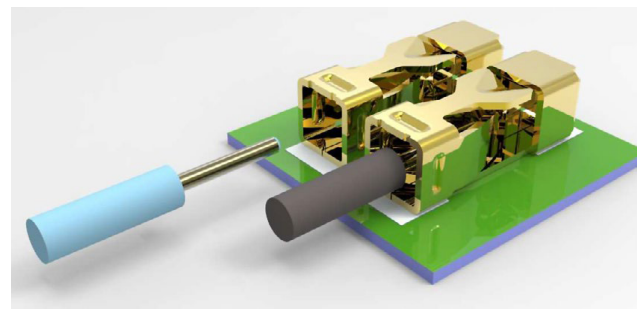
Part Number	Description
2834167-3	Releasable Slim Female Contact
2834171-3	Ultraminiature Slim Contact
2834172-3	Ultraminiature Slim Male Pin Contact

BENEFITS

- Releasable function helps to allow for quick rework
- Designed for compact PCB layouts
- Bare contact offers size and cost savings from housed poke-in
- Wide range of wire sizes accepted
- Board-to-board mating function

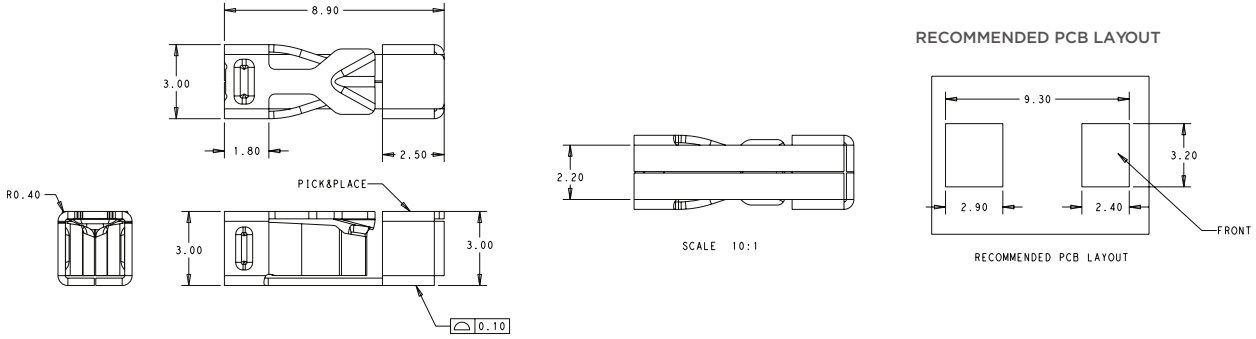
PRODUCT COMPLIANCE / APPROVALS

- UL Approval: UL1977 / File: E28476

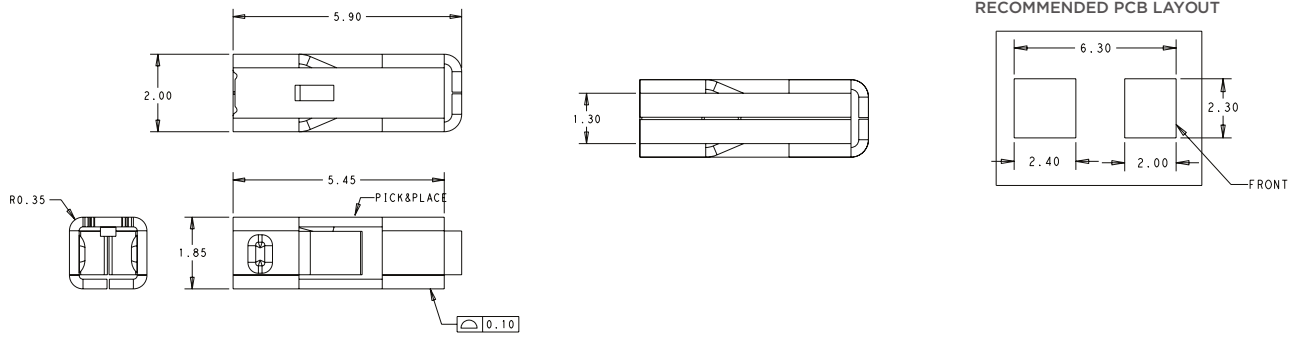


DIMENSIONS

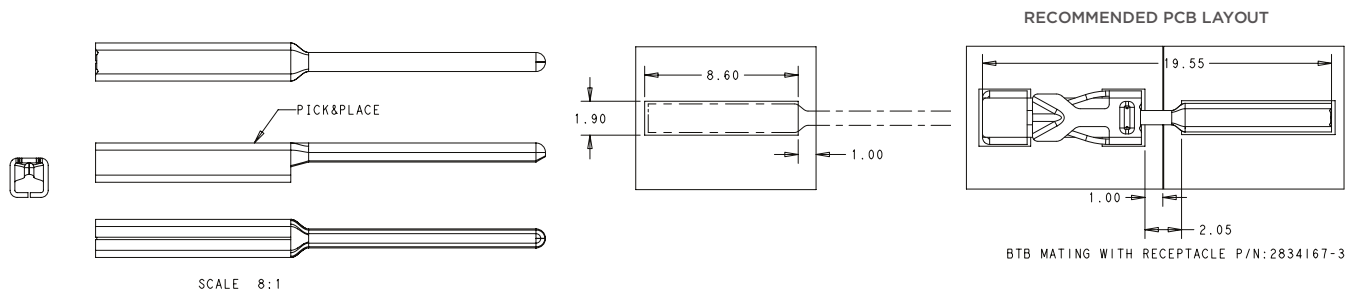
2834167-3

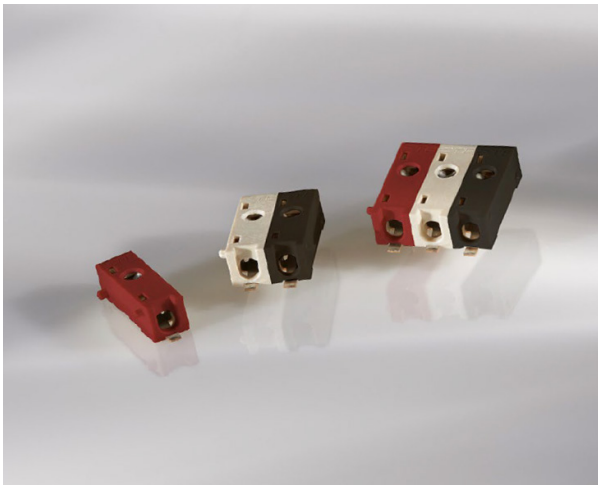


2834171-3



2834172-3





BUCHANAN WIREMATE CONNECTOR

POKE-IN SERIES

TE Connectivity (TE)'s BUCHANAN WireMate connector poke-in series is a 4.0mm pitch modular connector for wire-to-board connectivity. The poke-in feature supports for easy and fast installation and its modular design enables a flexible solution. In addition, this connector comes in various color configurations making identification and assembly easier and efficient.

APPLICATIONS

- Access Controls
- LED Lighting
- Small Appliances
- Thermostats

ELECTRICAL

- Current rating:
 - 6A with 18 AWG
 - 5A with 20 AWG & 22 AWG
- Voltage rating: 400 VAC Max
- Dielectric strength: 1800 VAC

MECHANICAL

- Operating Temperature: -40°C- + 105°

MATERIALS

- Contact: Copper alloy with tin plating

SPECIFICATIONS

- Application Specification: [114-137055](#)
- Product Specification: [108-137055](#)
- UL Approval: UL1977
- IEC60838 comply with clause 15 of IEC 60598-1













BENEFITS

- Modular technology facilitates flexibility in design
- Simple and fast installation with poke-in contact feature
- Color configurations support easy identification
- Compact size design for space saving

COLORS

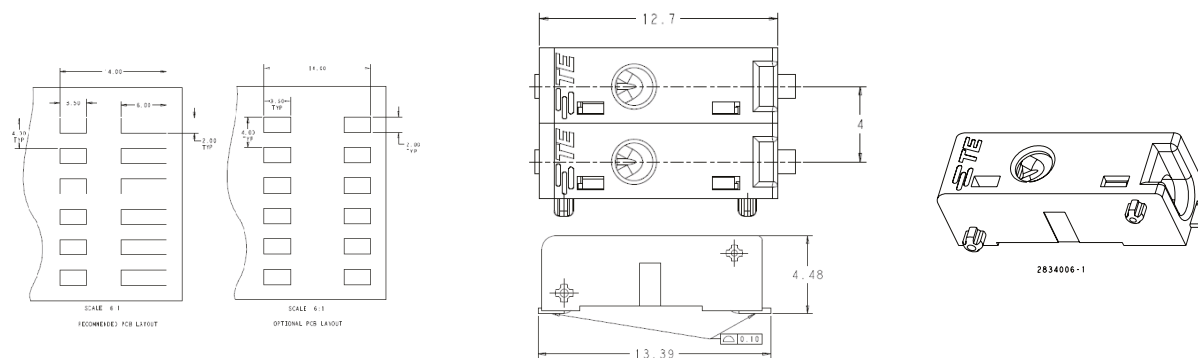
- Beige | Natural
- Black
- Blue
- Brown
- Gray
- Red
- White
- Yellow

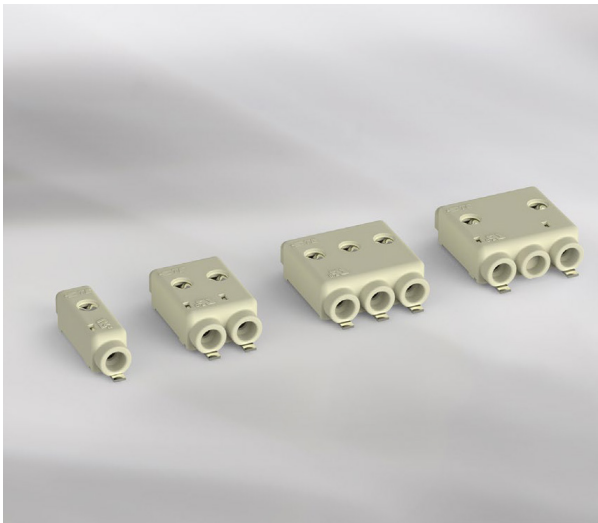
PRODUCT SELECTION INFORMATION

Image	Number of Positions	Description	Color	Part Number
	1	1 Pole Modular Releasable Poke-In Connector	Black	2-2834006-1
	1	1 Pole Modular Releasable Poke-In Connector	Red	3-2834006-1
	2	2 Pole Modular Releasable Poke-In Connector	White / Red	5-2834006-2
	2	2 Pole Modular Releasable Poke-In Connector	Red / Black	7-2834006-2
	2	2 Pole Modular Releasable Poke-In Connector	Black / White	8-2834006-2
	3	3 Pole Modular Releasable Poke-In Connector	Black / White / Red	5-2834006-3
	2	2 Pole Modular Releasable Poke-In Connector	Gray / Blue	1-2834006-0
	2	2 Pole Modular Releasable Poke-In Connector	Brown / Yellow	2-2834006-0
	1	1 Pole Modular Releasable Poke-In Connector	Natural	2834006-1
	2	2 Pole Modular Releasable Poke-In Connector	Natural	2834006-2
	3	3 Pole Modular Releasable Poke-In Connector	Natural	2834006-3
	3	2 Pole Modular Releasable Poke-In Connector	Natural	1-2834006-2

Contact a [TE Sales representative](#) if you need other poles with various color configuration.

DIMENSIONS





BUCHANAN WIREMATE CONNECTOR

POKE-IN SERIES

TE Connectivity (TE)'s low profile, SMT releasable poke-in wire connector accommodates multiple design requirements with 1, 2 & 3 position connector configurations. The releasable poke-in wire connector features an integral conductor release mechanism, recessed below the top side of the connector designed to support during multiple insertion and release cycles. Highly reliable for LED lighting applications, the surface mount releasable poke-in connectors accept 18 to 22 gauge solid and stranded conductors and are tape and reel packaged for high speed SMT processing.

APPLICATIONS

- Linear or Circular LED Light Modules
- Metering and Control Terminal Block Connections
- Power to Contact Boards in Applications and Building Equipment

ELECTRICAL

- Current rating:
18 AWG wire - 9A
20-22 AWG wire - 5A
- Voltage rating: 600 VAC/DC

MECHANICAL

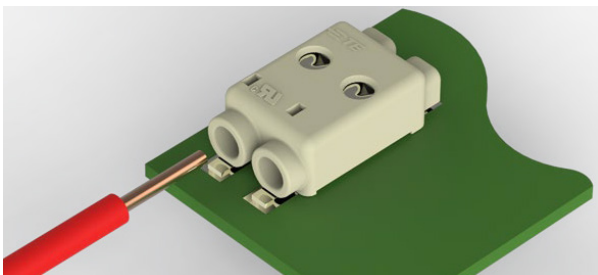
- Operating temperature: -40°C to 130°C

MATERIALS

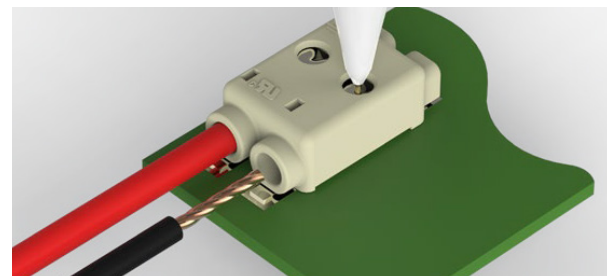
- Housing: UL 94 V0 high temperature resistant thermoplastic
- Contacts: Tin over nickel plated copper alloy

SPECIFICATIONS

- Application specification: [114-32113](#)
- Product specification: [108-32063](#)
- UL and cUL recognized: E28476



Insert solid conductors horizontal to printed circuit board to complete termination



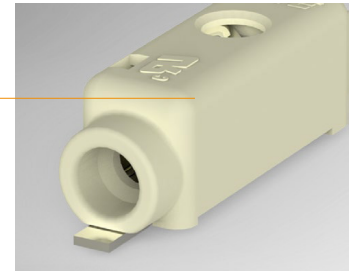
Insert stranded conductors horizontal to printed circuit boards and/or remove both solid and stranded conductors by first depressing the release mechanism with a ball point pen or the tip of any small device. Remove the conductors by pulling horizontal to the printed circuit board.

BENEFITS

- Automated production with flat top surface for vacuum pick up and high temperature material for re-flow processing
- Low profile design and rounded corners prevent obstruction of LED lighting and minimizes shadowing
- Side by side stackable design on 4mm spacing supports higher connection variations, minimizes part number inventory and lowers production costs Integral robust wire release mechanism to help prevent damage during wire assembly and rework
- Requires no specialized tools for wire insertion or removal
- Accommodates multiple design requirements with 1, 2 & 3 position connector configurations
- Support high voltage connections with a 2 position 8mm centerline version
- Accepts 18 - 22 gauge solid, stranded or pre-bond conductors in AWG or metric sizes to support global applications
- Prevent obstruction of LED lights with a low profile design and rounded corners to help minimize shadows

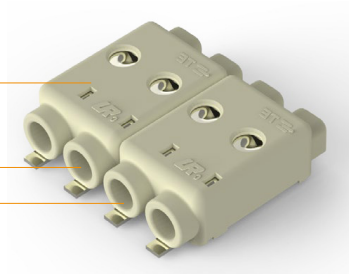
RELEASABLE POKE-IN WIRE CONNECTOR FEATURES

- 1 Low profile design and rounded corners help prevent obstruction of LED light and minimizes shadowing
- 2 Flat top surface for vacuum pick up
- 3 Side by side stackable on 4mm centers
- 4 Recessed release mechanism significantly reduce multi-surface features on top of connector and cannot be pried upward during conductor insertion virtually eliminating potential for breakage
- 5 Integral terminal release confines wire on all four sides inside terminal housing providing for secure connection



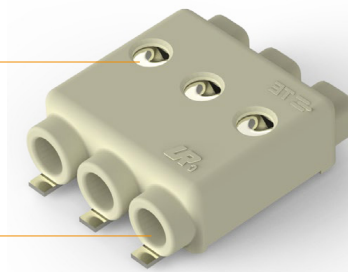
WIRE TYPES AND SIZES ACCEPTED

- Solid wire: 18, 20, 22 AWG, 0.75 and 0.34mm²
- Stranded wire:
 - 18 AWG & 0.5mm², 16 strands Max,
 - 20, 22 AWG, 7 strands Max
 - 0.75mm² 24 strands Max
 - 0.34mm² 19 strands Max
- Prebond wire:
 - 18 AWG, 16 strands Max
 - 20 AWG, 7 strands Max
- Max insulation OD: 2.5mm (.098") Max
- Strip Length: 9.0mm ± 1.0 (0.354" ± 0.03)

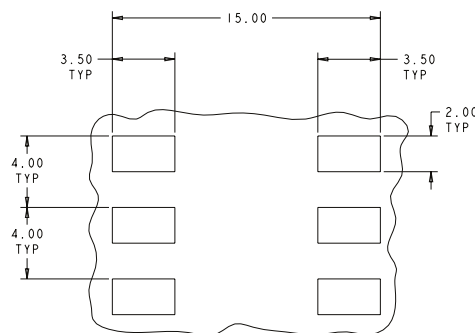
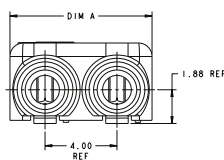
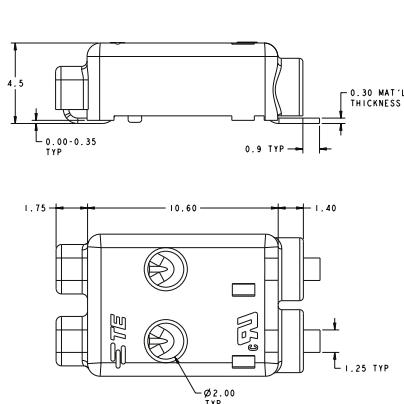


PRODUCT SELECTION INFORMATION

Number of Positions	Part Number	"A" Dimension	"B" Dimension
1 Position	2213301-1	3.90mm	12.00mm
2 Position	2213301-2	7.90mm	16.00mm
3 Position	2213301-3	11.90mm	20.00mm
2 Position High Voltage	1-2213301-2	11.90mm	20.00mm



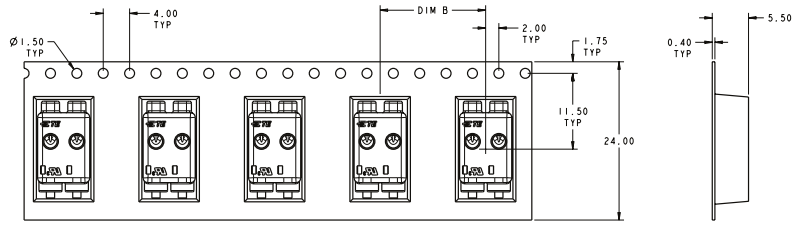
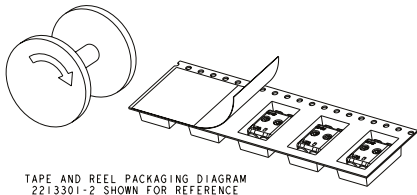
DIMENSIONS



Recommended PCB Layout

Tape and Reel Packaging Diagram - 2213301-2 shown for reference

DIMENSIONS





BUCHANAN WIREMATE CONNECTOR

MICRO POKE-IN SERIES

TE Connectivity (TE)'s BUCHANAN WireMate micro poke-in wire solid state lighting (SSL) connector is a low profile, printed circuit board connector specifically designed for LED lighting applications. The connector is currently available in a one position version that accepts 24 and 26 AWG solid wire only. The connector is designed with rounded corners to help minimize shadowing. The connector is RoHS compliant and is a cost effective alternative to hand soldering wires to printed circuit boards.

APPLICATIONS

- LED Lighting
- Small Appliances
- Thermostats
- Digital Signaget

ELECTRICAL

- 250 VAC, 3A Max
- 250 VDC, 3A Max
- 1500 Dielectric Withstanding Voltage

MECHANICAL

- Wire retention force: 6N Minimum
- Wire Insertion Force: 8N (24 AWG) 6N (26 AWG)
- Operating Temperature: -25°C to 130°C

MATERIALS

- Housing: High temperature resistant thermoplastic
- Contact: Copper alloy, tin over nickel plating

SPECIFICATIONS

- Application Specification: [114-5482](#)
- Product Specification: [108-78810](#)
- UL1977
- JPN DENANHO

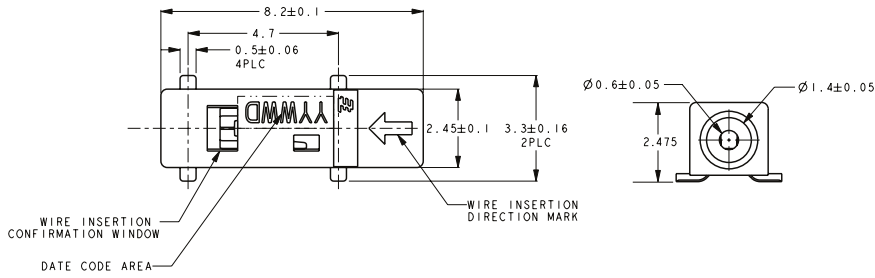
BENEFITS

- Compact size design for space savings
- Low profile flat surface allows for vacuum pick up
- High temperature material for type reflow processes
- Tape & reel packaging for high speed assembly

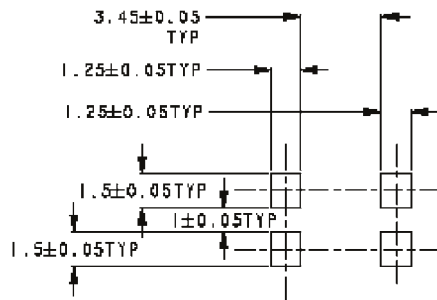
PRODUCT SELECTION INFORMATION

Part Number	Description
2134611-1	Micro Poke-In Series Connector

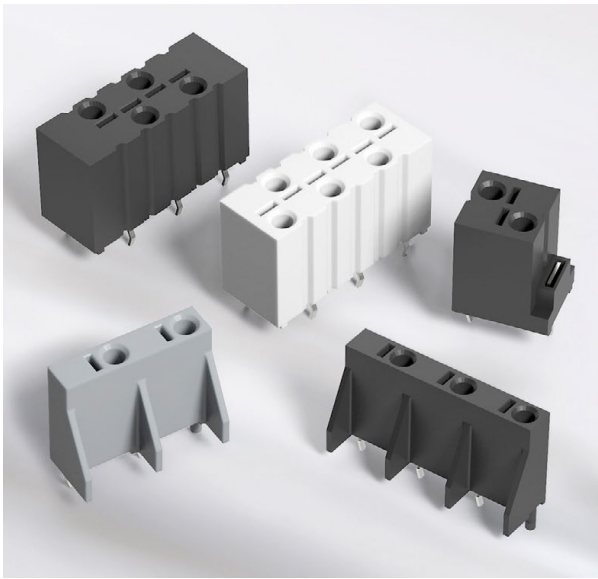
DIMENSIONS



Referential Connector placement



Referential P.C.B. layout



BUCHANAN WIREMATE CONNECTOR

VERTICAL POKE-IN SERIES

TE Connectivity (TE)'s BUCHANAN WireMate connectors vertical poke-in series are now offered in tray packaging for pick and place insertion for LED driver applications. The in-line connectors are available in 2 & 3 positions. The vertical poke-in connectors can also be offered in tray packaging. They are available in 2, 4 & 6 staggered positions. Compatible in potable and non-potable applications, with printed circuit board wave solder processes, the connectors supports insertion of stripped solid conductor wire without special tooling. Designed for permanent connections within OEM assemblies, wire is securely held in place but can be removed with an extraction tool, if required.

APPLICATIONS

- Lighting Ballast and LED Drivers
- Garage Door Openers
- HVAC Controls
- Security Systems
- Vending and Gaming Products

ELECTRICAL

- Current Rating: 6A Max (UL)
- Voltage Rating: 600 VAC Max
- Dielectric Strength: 2200 VAC

MECHANICAL

- Wire Retention: 5 lb. (22.25 N)
- Durability: 5 cycles
- Pitch: 138 (3.5mm) staggered centerline .322(8.2mm)in-line centerline

MATERIALS

- Housing: High temperature resistant thermoplastic
- Contact: Copper alloy, tin over nickel plating

SPECIFICATIONS

- Application Specifications:
 - [114-13075](#) Vertical Poke-In
 - [114-13223](#) In-Line Poke-In
- Product Specifications:
 - [108-2059](#) Vertical Poke-In
 - [108-2059-1](#) In-Line Poke-In
- UL 1977

BENEFITS

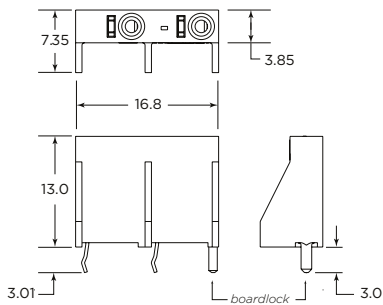
- Significantly reduces the need to hand solder or fixture and wave-solder wires directly to printed circuit board
- In-line screwless version terminates industry standard 18 AWG solid wire
- Staggered versions terminate industry standard 18-16 AWG solid wire and 18 AWG bonded wire
- Thru-hole solder mount with retention features integral to solder legs for PCB retention 2 & 4 position staggered and in-line versions have secondary board locks for additional retention
- Now available in tray packaging (2 & 3 position In-Line Screwless connectors only)

PRODUCT SELECTION INFORMATION

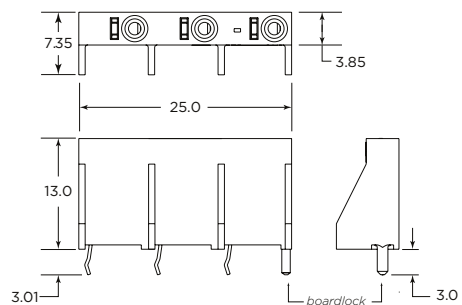
Part Number	Description
1-2213629-2	2 Position Vertical Poke-In Connector In Pocket Trays
2213629-3	3 Position Vertical Poke-In Connector In Pocket Trays
1-2008552-2	2 Position In-Line Poke-In Wire Connector
2008552-3	3 Position In-Line Poke-In Wire Connector
1811957-1	2 Position Vertical Poke-In Wire Connector with Boardlock
1811444-1	4 Position Vertical Poke-In Wire Connector
1811398-1	6 Position Vertical Poke-In Wire Connector

DIMENSIONS

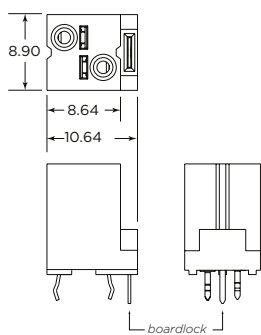
2 position in-line screwless wire connector



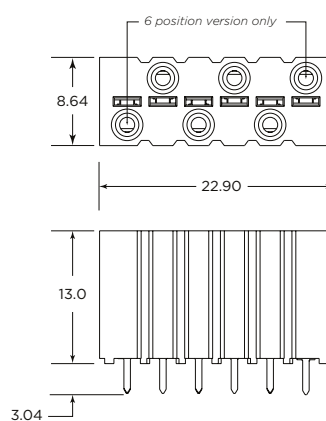
3 position in-line screwless wire connector

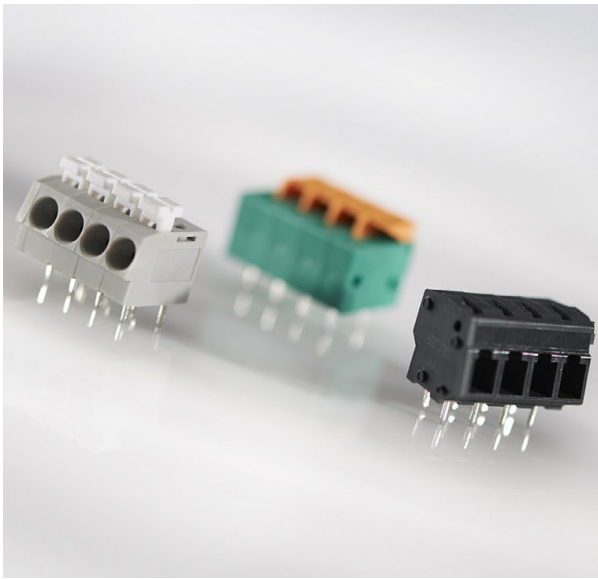


2 position screwless wire connector



4 & 6 position screwless wire connector





BUCHANAN WIREMATE CONNECTOR

MODULAR SCREWLESS SERIES

TE Connectivity (TE)'s BUCHANAN WireMate connectors modular screwless series are flexible and efficient and the wires are easy to replace with no need for special tooling. Its multifarious product pitch supports design flexibility and the different color configurations helps ease identification. High density and compact design enable this series to be used in the field of telecommunication system, lighting system, security, and wire arrangement of architectures.

APPLICATIONS

- LED Driver
- Lighting System
- Power Supply

ELECTRICAL

- Current Rating: Up to 10A Max
- Voltage Rating: 300 VAC Max
- Dielectric Strength: 2000 VAC

MECHANICAL

- Operating Temperature: -40°C-+105°C
- Reusable Cycles: Upto 5 cycles

MATERIALS

- Housing: PA, UL 94 V-0
- Contact: Copper alloy with tin plating

SPECIFICATIONS

- Application Specification: [114-137080](#)
- Product Specification: [108-137080](#)
- UL Approval: UL1059

BENEFITS

- Achieve quick assembly without the need for special tooling
- Help save space with a high density compact design
- Obtain design flexibility with multifarious product pitch
- Help ease identification with different color configuration

PRODUCT SELECTION INFORMATION

	Pitch	Position Size	Style	Housing Design	Color	Part Number
	5.00 mm	2	Double Side Entry	Modular		1-2834014-2
	5.00 mm	4	Double Side Entry	Modular		1-2834014-4
	5.00 mm	6	Double Side Entry	Modular		1-2834014-6
	2.54 mm	3	Top Side Entry	Modular		1-2834015-3
	2.54 mm	2	Side Entry	Modular		1-2834016-2
	5.00 mm	2	Top Lever	Modular		1-2834018-2
	5.00 mm	3	Top Lever	Modular		1-2834018-3
	3.50 mm	2	Top Entry	Modular		1-2834019-2
	3.50 mm	3	Top Entry	Modular		1-2834019-3
	2.50 mm	2	Top Side Entry	Modular		1-2834021-2
	2.50 mm	3	Top Side Entry	Modular		1-2834021-3
	2.50 mm	4	Top Side Entry	Modular		1-2834021-4
	3.50 mm	2	Top Side Entry	Modular		1-2834011-2
	3.50 mm	3	Top Side Entry	Modular		1-2834011-3
	3.50 mm	4	Top Side Entry	Modular		1-2834011-4
	3.50 mm	5	Top Side Entry	Modular		1-2834011-5
	5.08 mm	3	Top Side Entry	Modular	Gray	2834114-2
	3.81 mm	2	Side Entry	Modular	Gray	2834088-1
	3.81 mm	3	Side Entry	Modular	Gray	2834088-2
	5.00 mm	3	Side Entry	Modular	Gray	2834089-2
	5.00 mm	4	Side Entry	Modular	Gray	2834089-3
	5.08 mm	2	Side Entry	Modular	Gray	2834090-1
	5.00 mm	2	Side Entry	Modular	Gray	2834095-1
	5.00 mm	2	Side Entry	Modular	Gray	2834097-1
	2.50 mm	2	Top Side Entry	Modular	Gray	2834084-1
	2.54 mm	2	Top Side Entry	Modular	Gray	2834085-1
	2.54 mm	3	Top Side Entry	Modular	Gray	2834085-2
	5.00 mm	2	Top Side Entry	Modular	Gray	2834078-1
	5.00 mm	3	Top Side Entry	Modular	Gray	2834078-2
	5.00 mm	2	Top Side Entry	Modular	Gray	2834076-1
	5.08 mm	3	Top Side Entry	Modular	Gray	2834077-2
	5.00 mm	2	Side Entry	Modular	Gray	2834098-1
	5.00 mm	2	Side Entry	Modular	Gray	2834080-1
	5.00 mm	2	Side Entry	Modular	Gray	2834082-1
	5.00 mm	3	Side Entry	Modular	Gray	2834082-2

Contact a TE Sales representative if you need other poles with various color configuration.



BUCHANAN WIREMATE CONNECTOR

SURFACE MOUNT TB SERIES

TE Connectivity (TE)'s BUCHANAN WireMate connectors surface mount series is a two-piece pluggable connector solution designed for customers seeking to switch from wave soldering to surface mount PCB processing. The latest series includes surface mount headers and mating plugs in vertical and right-angle configurations from 2 to 12 poles. The surface mount headers are one of several product offerings from TE enabling customers to make the change to full SMT processed printed circuit boards.

APPLICATIONS

- HVAC Equipment and Controls
- Industrial Controls
- Security Systems
- Industrial Lighting Solutions
- Elevator/Escalator

ELECTRICAL

- Current/Voltage Rating:
 - 3.5mm: 2-12 position: 8A @ 300 VAC
 - 5.0mm: 2-9 position: 15A @ 300 VAC
 - 5.0mm: 10-12 position: 10A @ 300 VAC
- Impulse Withstanding Voltage: 2500 VAC

MECHANICAL

- Wire Gauge:
 - 3.5mm: 30-16 AWG
 - 5.0mm: 26-12 AWG
- Screw Torque: 4.5 in-lbf

MATERIALS

- Housing: Thermoplastic, Black (UL 94 V-0)
- Contact: Copper alloy, tin Plated




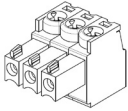
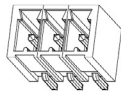
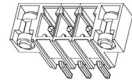
PRODUCT COMPLIANCE / APPROVALS




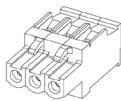
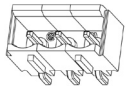
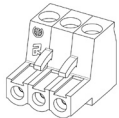
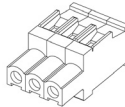
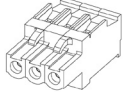
- UL E60677

BENEFITS

- Surface mount headers allow for simple reflow soldering and faster PCB assembly
- Retention features help ensure secure PCB mounting
- 90°, 180°, 270° wire entry plugs

PRODUCT SELECTION INFORMATION

3.5mm Plug		mates with 3.5mm Header		or mates with 3.5mm Header		
Positions	Plug PN's	Description	Header PN's	Description	Header PN's	Description
2	2213936-2	3.5mm Pitch 180° Wire Entry Plug 	2213932-2	3.5mm Pitch SMT Right Angle Standard Header 	2213933-2	3.5mm Pitch SMT Right Angle Header with Retention Pins 
3	2213936-3		2213932-3		2213933-3	
4	2213936-4		2213932-4			
5	2213936-5		2213932-5			
6	2213936-6		2213932-6		2213933-6	
7			2213936-3			
8	2213936-8					
9						
10	1-2213936-0		1-2213932-0		1-2213933-0	
11						
12	1-2213936-2		1-2213932-2		1-2213933-2	

5.0mm Header		mates with 5.0mm Plug		or mates with 5.0mm Plug		or mates with 5.0mm Plug		
Positions	Plug PN's	Description	Plugs PN's	Description	Plugs PN's	Description	Plugs PN's	Description
2	2305908-2	5.0mm Pitch SMT Right Angle Standard Header 	2305909-2	5.0mm Pitch 180° Wire Entry Plug with Retention Clips 	2213934-2	5.0mm Pitch 270° Wire Entry Plug with Retention Clips 	2213935-2	5.0mm Pitch 90° Wire Entry Plug with Retention Clips 
3	2305908-3		2305909-3		2213934-3		2213935-3	
4	2305908-4		2305909-4		2213934-4		2213935-4	
5	2305908-5		2305909-5		2213934-5		2213935-5	
6	2305908-6		2305909-6		2213934-6		2213935-6	
7			2305908-3		2305909-3		2213934-3	
8	2305908-8							
9								
10	1-2305908-0		1-2305909-0		1-2213934-0		1-2213935-0	
11								
12	1-2305908-2		1-2305909-2		1-2213934-2		1-2213935-2	

Connect With Us

We make it easy to connect with our experts and are ready to provide all the support you need. Visit te.com/support to chat with a Product Information Specialist.

te.com/buchanan-wire-mate-connectors

BUCHANAN, WireMate, TE, TE Connectivity, TE connectivity (logo), and EVERY CONNECTION COUNTS are trademarks owned or licensed by the TE Connectivity plc family of companies. Other product names, logos, and company names mentioned herein may be trademarks of their respective owners.

While TE has made every reasonable effort to ensure the accuracy of the information in this document, TE does not guarantee that it is error-free, nor does TE make any other representation, warranty or guarantee that the information is accurate, correct, reliable or current. TE reserves the right to make any changes to the information contained herein without prior notice. TE Connectivity's obligations shall only be as set forth in TE Connectivity's Standard Terms and Conditions of Sale for this product and in no case will TE Connectivity be liable for any incidental, indirect, or consequential damages arising out of the sale, resale, use, or misapplication of the product. TE expressly disclaims any implied warranties with respect to the information contained herein, including, but not limited to, implied warranties of merchantability or fitness for a particular purpose. Dimensions, specifications and/or information contained herein are for reference purposes only and are subject to change without notice. Consult TE for the latest dimensions, specifications and/or information. Users of TE Connectivity products must make their own assessment as to whether the respective product is suitable for the respective desired application.

©2025 TE Connectivity. All Rights Reserved.

05-25