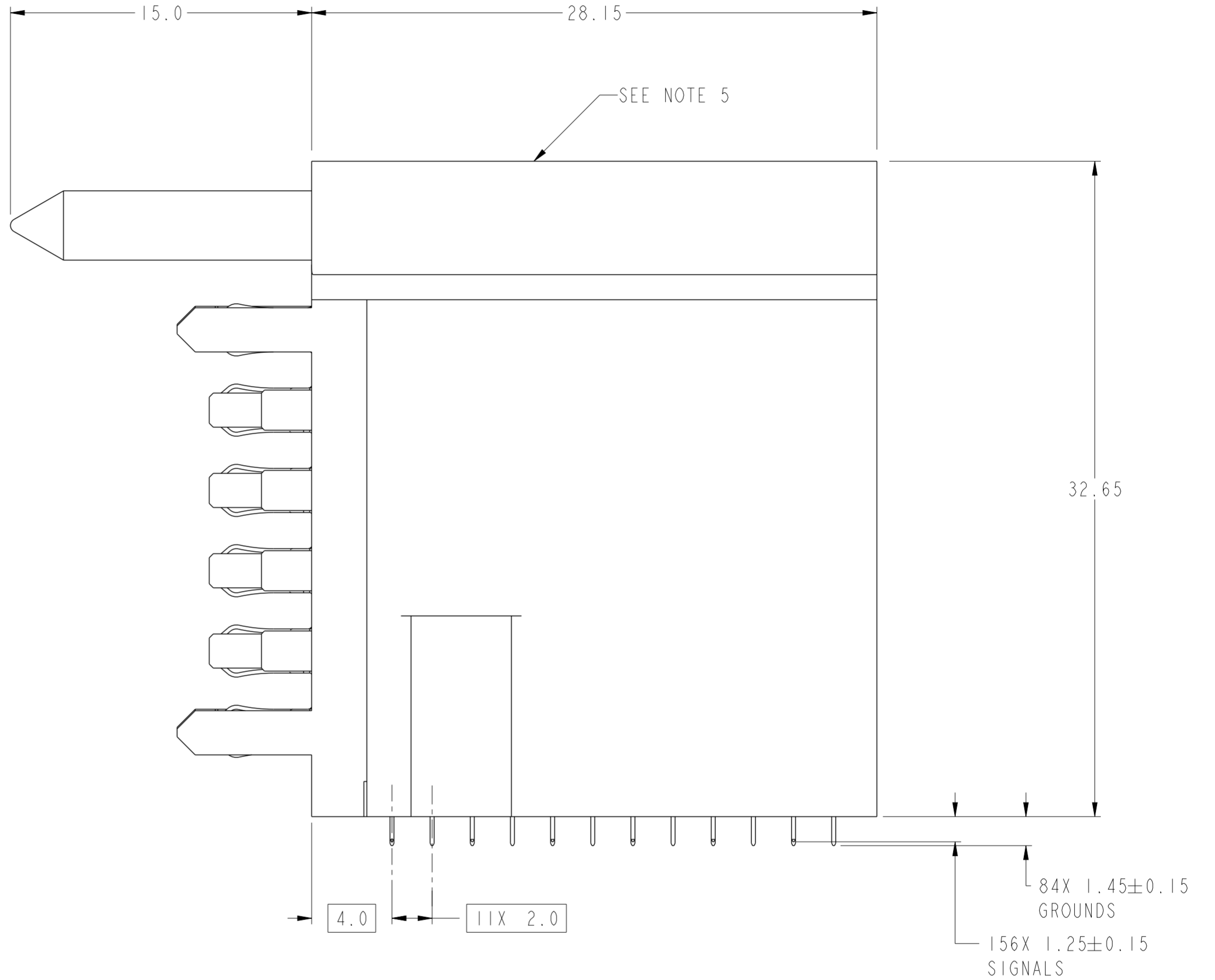
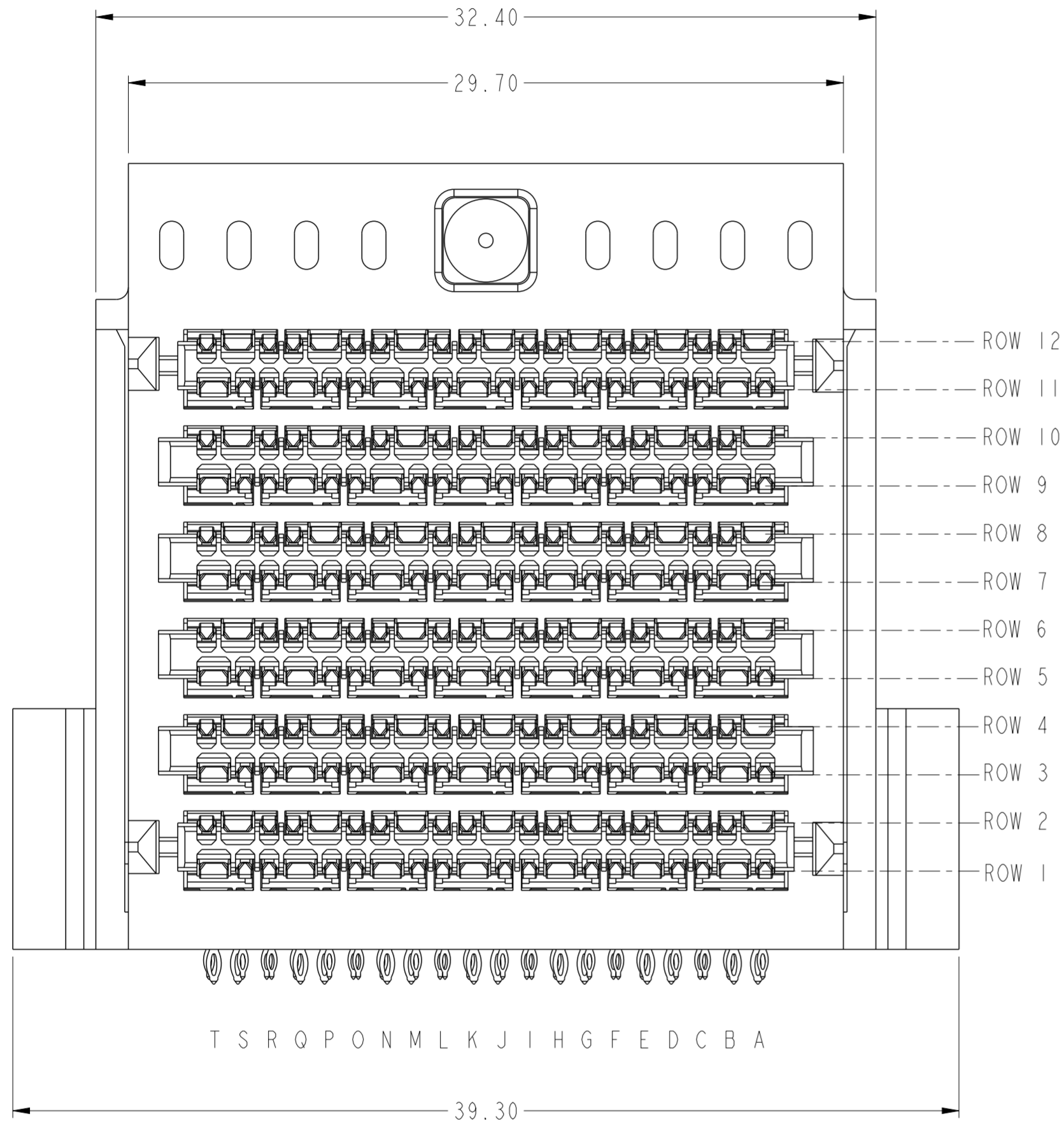


PRODUCT NUMBER	DESCRIPTION
10129181-101YLF	WITH GUIDE PIN AND PCB SCREW MOUNTS

Y = PLATING  
SEE NOTE 2



Amphenol  
FCi

© 2016 AFCI

spec ref	---	dr	Mark R Gray	2014/02/24	projection	MM	size	A2	scale	5:1																	
tolerance std	ASME Y14.5M	eng	Peng-Bing Fu	2020/05/04			ecn no	ELX-DG-36098-1																			
TOLERANCES UNLESS OTHERWISE SPECIFIED		chr	-	rel level			Released																				
surface	<table border="1"> <tr> <td>linear</td> <td>0.X</td> <td>±.3</td> </tr> <tr> <td></td> <td>0.XX</td> <td>±.10</td> </tr> <tr> <td></td> <td>0.XXX</td> <td>±.050</td> </tr> <tr> <td>angular</td> <td>0°</td> <td>±°</td> </tr> </table>	linear	0.X	±.3		0.XX	±.10		0.XXX	±.050	angular	0°	±°	appr	Heaven Cen	2020/05/04	product family	<b>Amphenol FCI</b>		<table border="1"> <tr> <td>title</td> <td>ExaMAX Orthogonal R.A. Header</td> </tr> <tr> <td>cat. no.</td> <td>10129181</td> </tr> </table>	title	ExaMAX Orthogonal R.A. Header	cat. no.	10129181	<table border="1"> <tr> <td>rev</td> <td>C</td> </tr> </table>	rev	C
linear	0.X	±.3																									
	0.XX	±.10																									
	0.XXX	±.050																									
angular	0°	±°																									
title	ExaMAX Orthogonal R.A. Header																										
cat. no.	10129181																										
rev	C																										
Product - Customer Drw							sheet 1 of 7																				

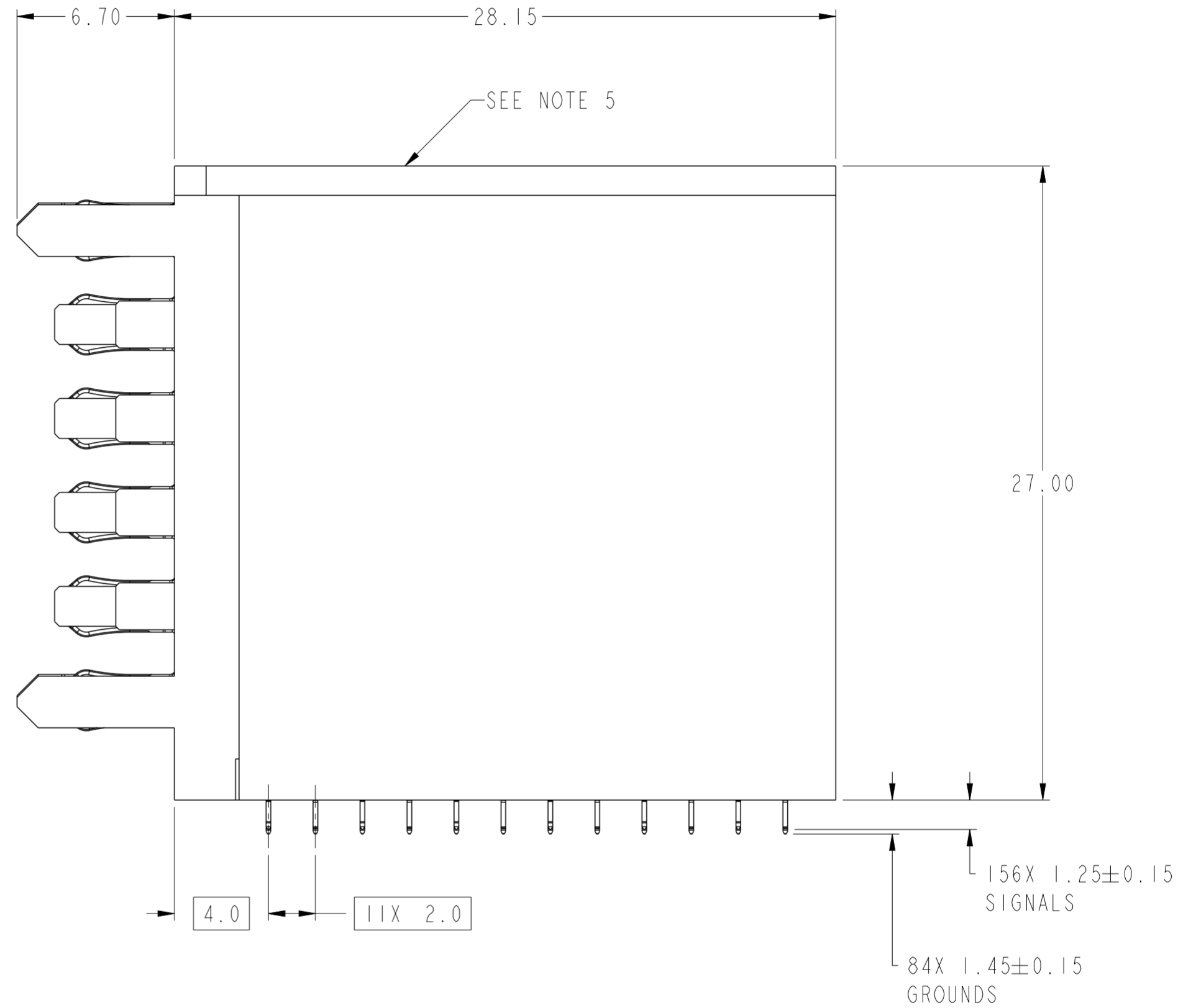
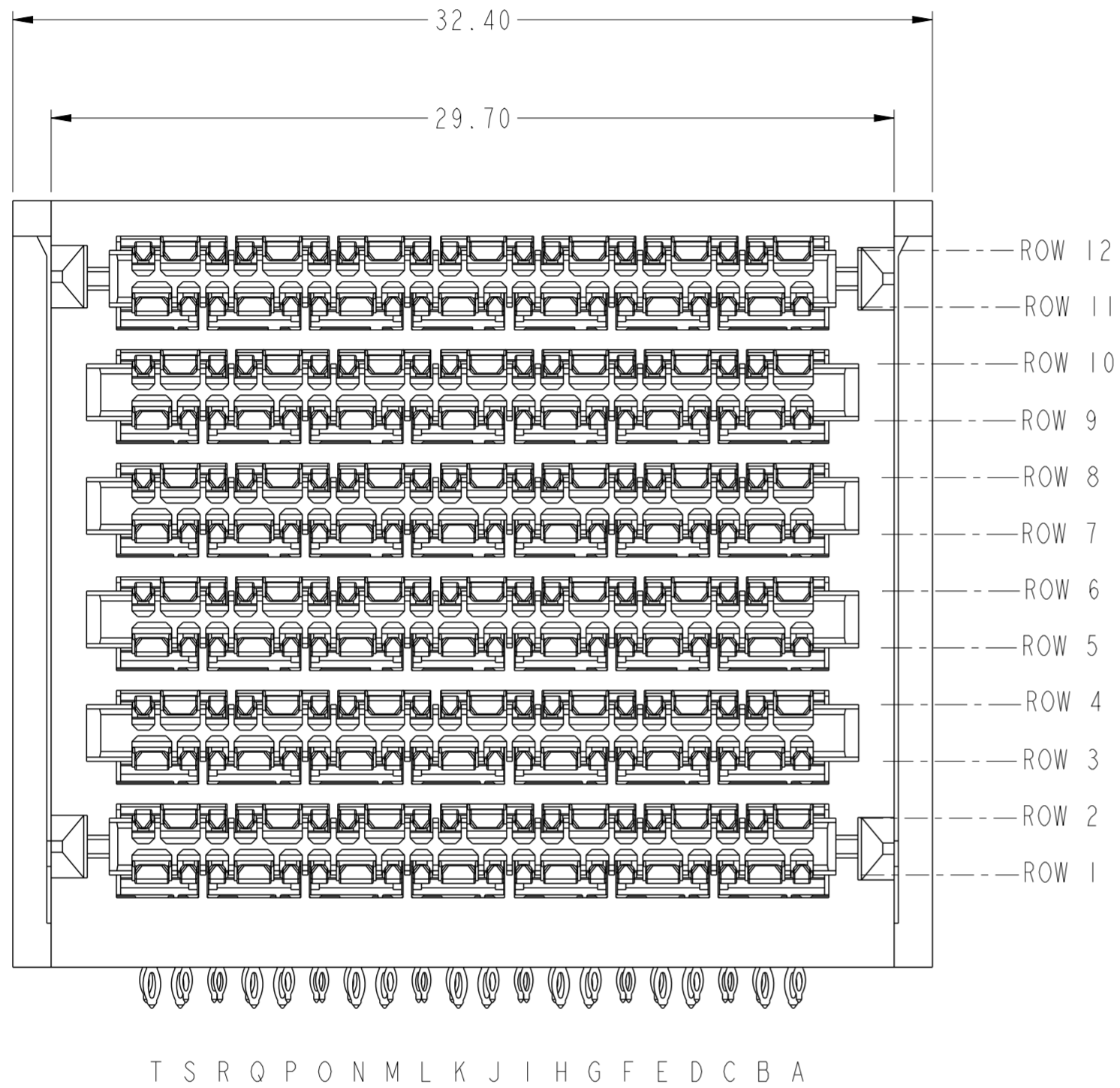
PDS: Rev :C

STATUS:Released

Printed: May 05, 2020

PRODUCT NUMBER	DESCRIPTION
10129181-102YLF	NO GUIDE PIN, NO PCB SCREW MOUNTS

Y = PLATING  
SEE NOTE 2



spec ref	---	dr	Mark R Gray	2014/02/24	projection	MM	size	A2	scale	5:1												
tolerance std	ASME Y14.5M	eng	Peng-Bing Fu	2020/05/04			ecn no	ELX-DG-36098-1														
TOLERANCES UNLESS OTHERWISE SPECIFIED		chr	-	rel level			Released															
surface	<table border="1"> <tr> <td>linear</td> <td>0.X</td> <td>±.3</td> </tr> <tr> <td></td> <td>0.XX</td> <td>±.10</td> </tr> <tr> <td></td> <td>0.XXX</td> <td>±.050</td> </tr> <tr> <td>angular</td> <td>0°</td> <td>±°</td> </tr> </table>	linear	0.X	±.3				0.XX	±.10		0.XXX	±.050	angular	0°	±°	appr	Heaven Cen	2020/05/04	product family	-	cat. no.	-
linear	0.X	±.3																				
	0.XX	±.10																				
	0.XXX	±.050																				
angular	0°	±°																				
				<b>title</b> ExaMAX Orthogonal R.A. Header 6 PAIR, 12 IMLA (240 Position) ASS'Y		<b>dwg no</b> 10129181 <b>rev</b> C																

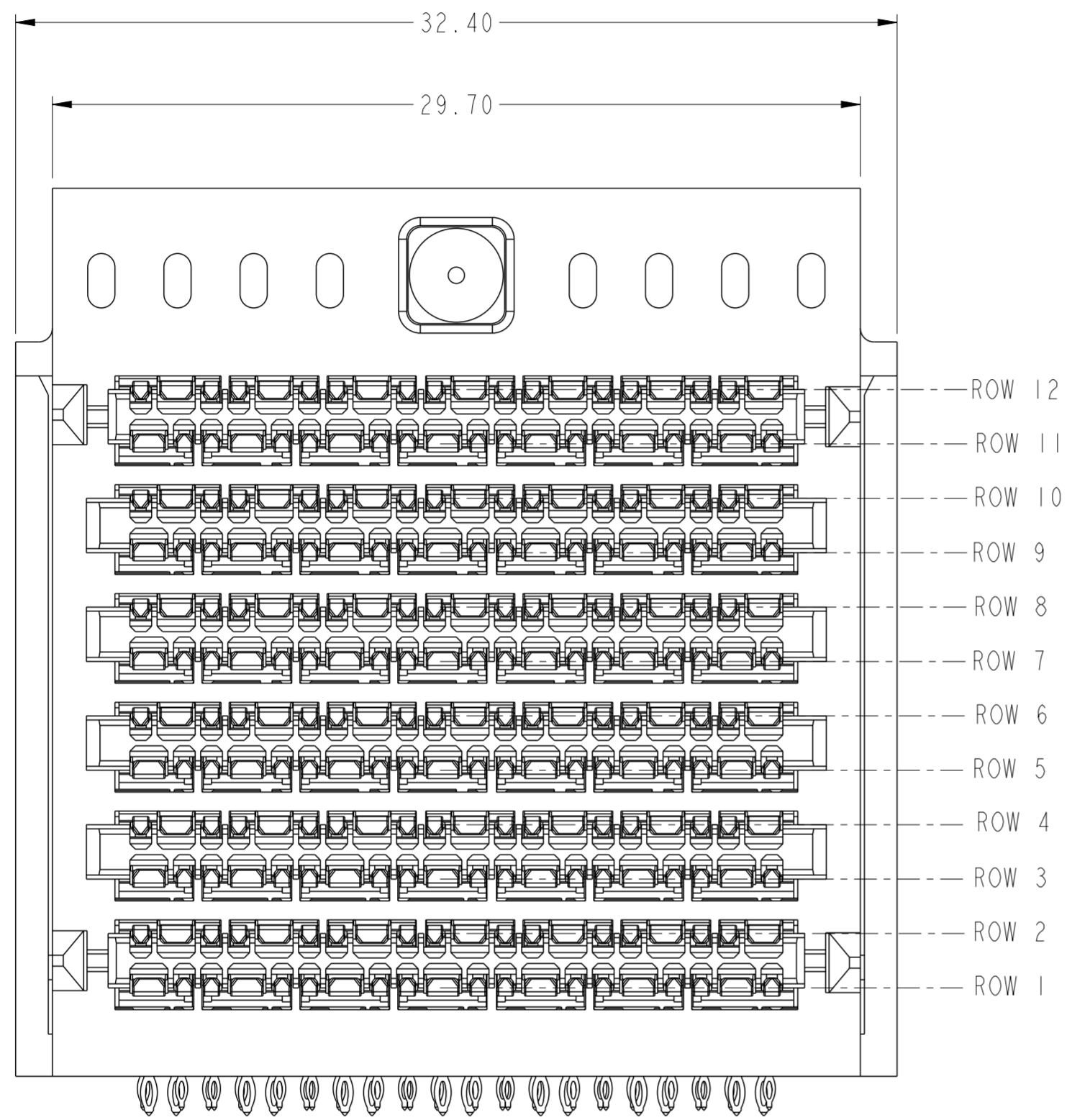
PDS: Rev :C

STATUS:Released

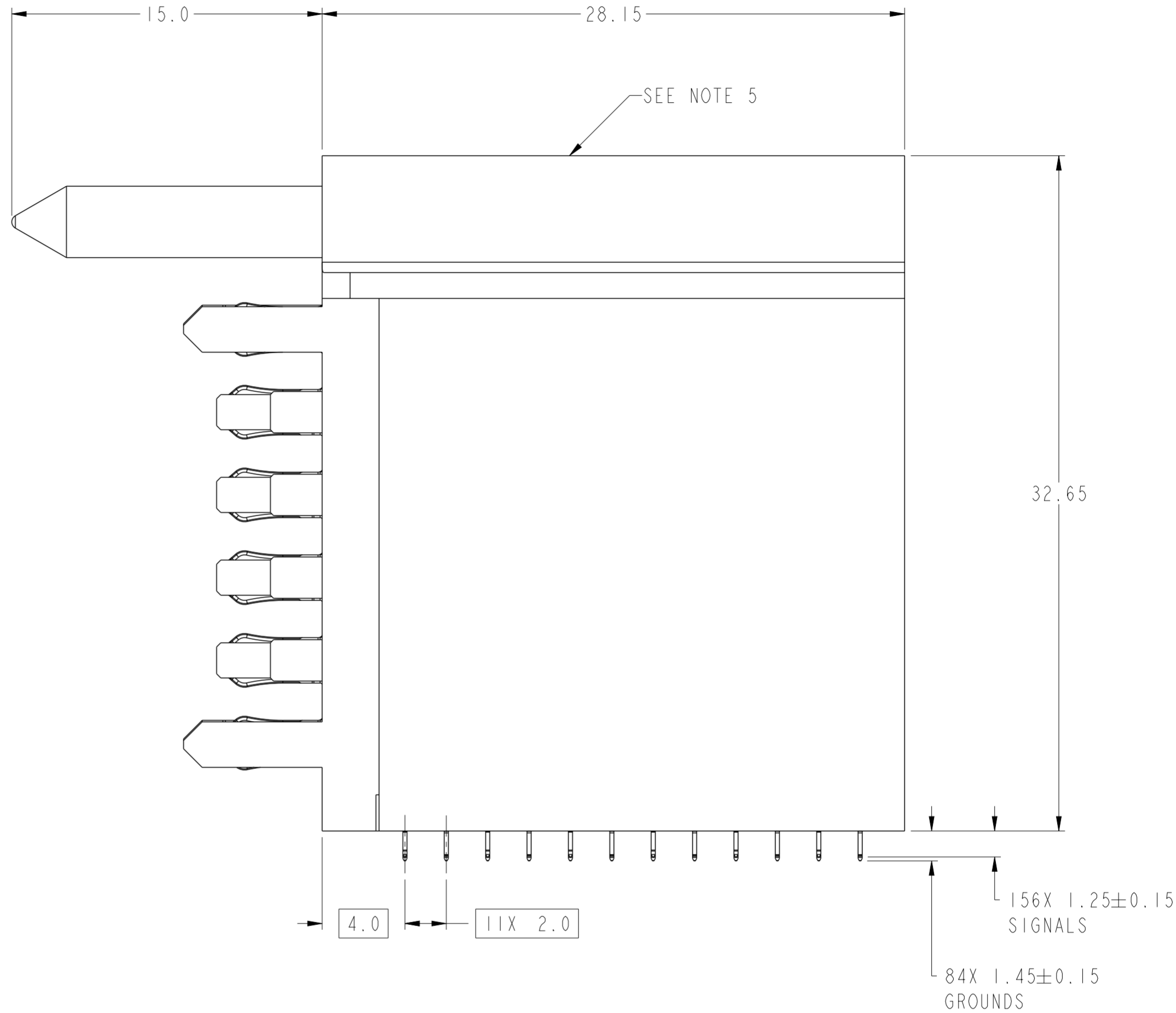
Printed: May 05, 2020

PRODUCT NUMBER	DESCRIPTION
10129181-103YLF	WITH GUIDE PIN, NO PCB SCREW MOUNTS

Y = PLATING  
SEE NOTE 2



T S R Q P O N M L K J I H G F E D C B A



Amphenol  
FCi

© 2016 AFCI

F

spec ref	---	dr	Mark R Gray	2014/02/24	projection	MM	size	A2	scale	5:1												
tolerance std	ASME Y14.5M	eng	Peng-Bing Fu	2020/05/04			ecn no	ELX-DG-36098-1														
TOLERANCES UNLESS OTHERWISE SPECIFIED		chr	-				rel level	Released														
surface		appr	Heaven Cen				product family	-														
<table border="1"> <tr> <td>linear</td> <td>0.X</td> <td>±.3</td> </tr> <tr> <td></td> <td>0.XX</td> <td>±.10</td> </tr> <tr> <td></td> <td>0.XXX</td> <td>±.050</td> </tr> <tr> <td>angular</td> <td>0°</td> <td>±°</td> </tr> </table>		linear	0.X	±.3		0.XX	±.10		0.XXX	±.050	angular	0°	±°			<b>Amphenol FCI</b> title ExaMAX Orthogonal R.A. Header 6 PAIR, 12 IMLA (240 Position) ASS'Y		dwg no 10129181	rev C	cat. no. - Product - Customer Drw sheet 3 of 7		
linear	0.X	±.3																				
	0.XX	±.10																				
	0.XXX	±.050																				
angular	0°	±°																				

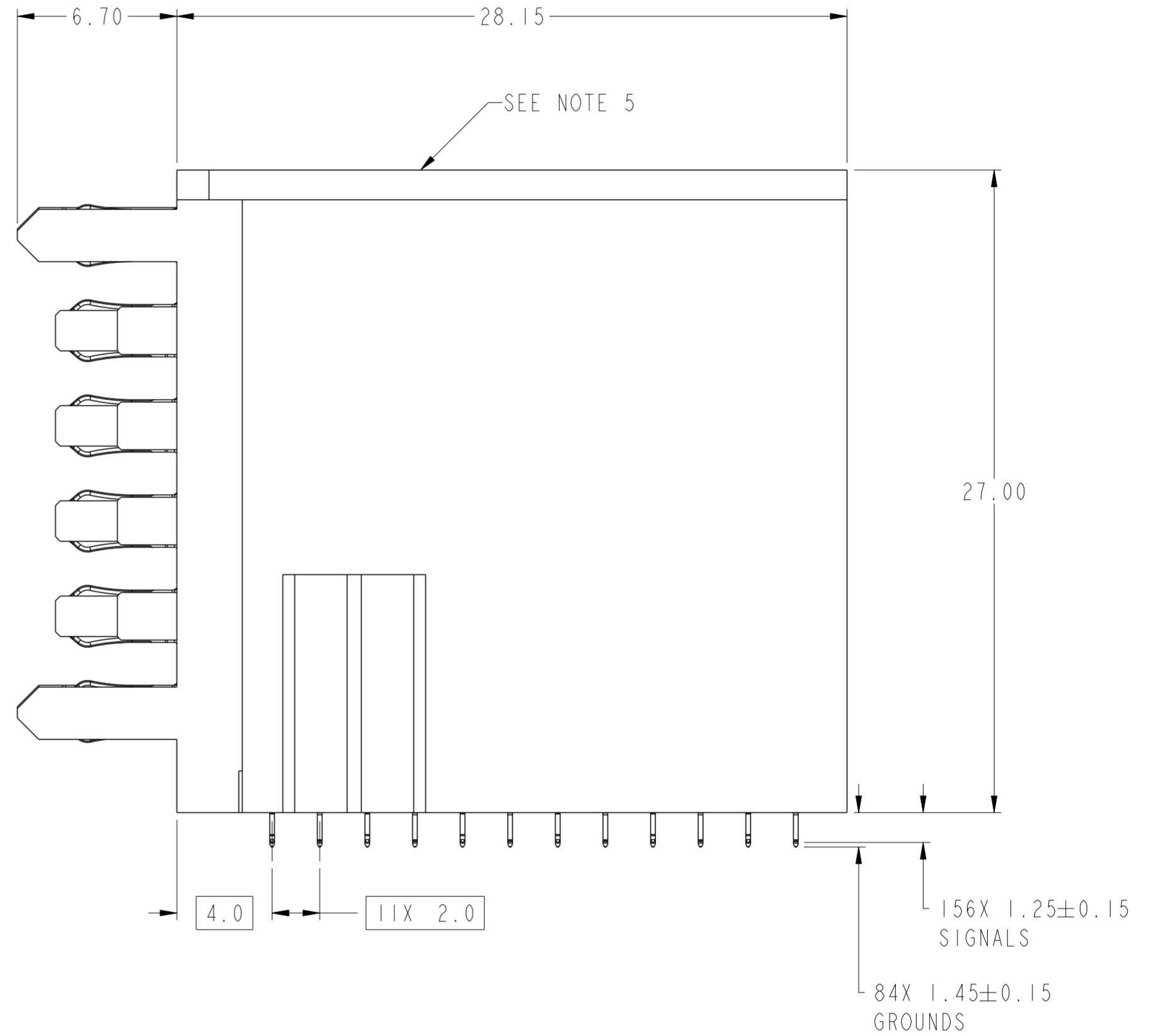
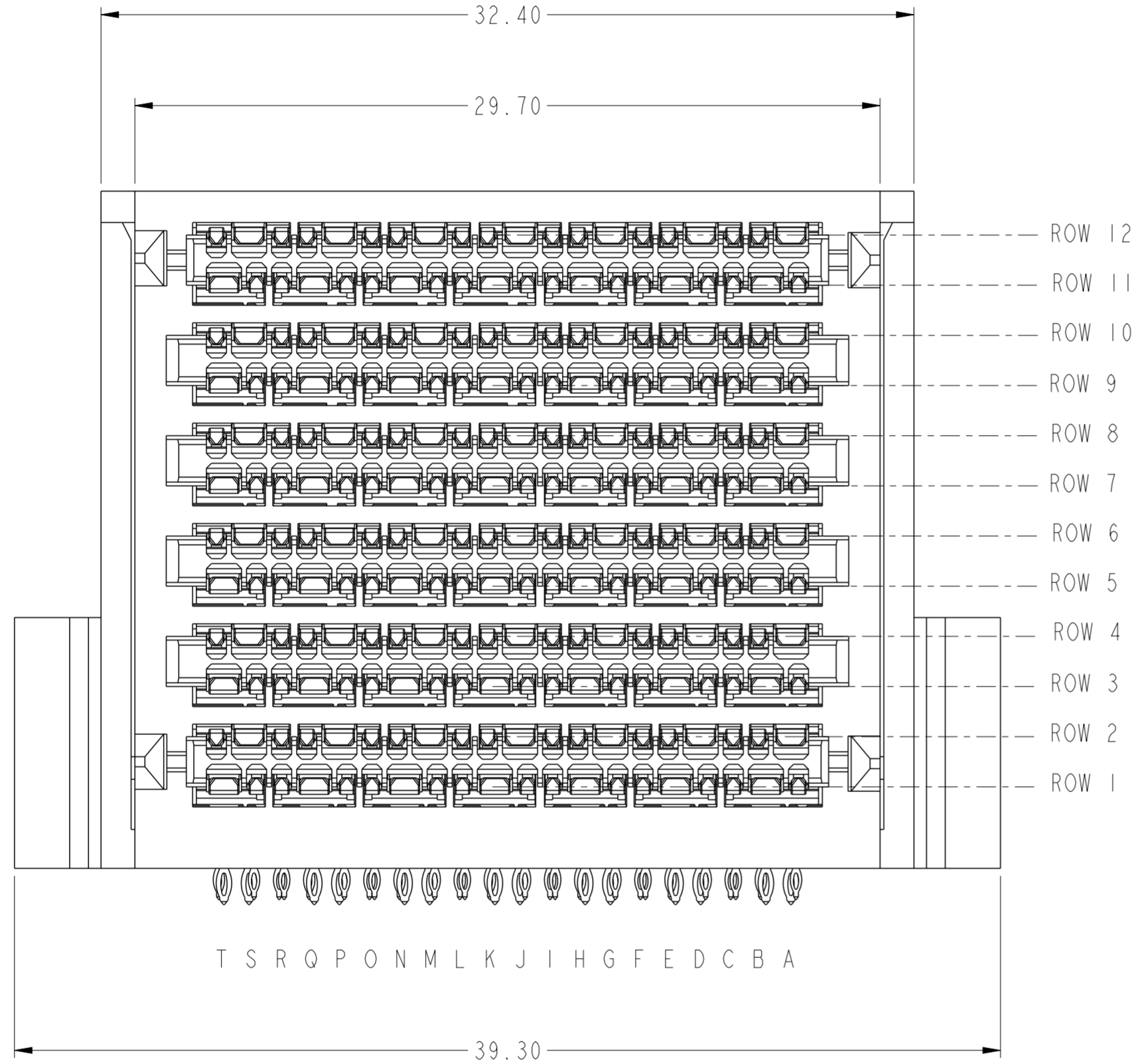
PDS: Rev :C

STATUS:Released

Printed: May 05, 2020

PRODUCT NUMBER	DESCRIPTION
10129181-104YLF	NO GUIDE PIN, WITH PCB SCREW MOUNTS

Y = PLATING  
SEE NOTE 2



spec ref	---	dr	Mark R Gray	2014/02/24	projection	MM	size	A2	scale	5:1											
tolerance std	ASME Y14.5M	eng	Peng-Bing Fu	2020/05/04			ecn no	ELX-DG-36098-1													
TOLERANCES UNLESS OTHERWISE SPECIFIED		chr	-				rel level	Released													
surface		appr	Heaven Cen				product family	-													
<table border="1"> <tr> <td>linear</td> <td>0.X</td> <td>±.3</td> </tr> <tr> <td></td> <td>0.XX</td> <td>±.10</td> </tr> <tr> <td></td> <td>0.XXX</td> <td>±.050</td> </tr> <tr> <td>angular</td> <td>0°</td> <td>±°</td> </tr> </table>		linear	0.X	±.3		0.XX	±.10		0.XXX	±.050	angular	0°	±°			<b>Amphenol FCI</b> title ExaMAX Orthogonal R.A. Header 6 PAIR, 12 IMLA (240 Position) ASS'Y		cat. no. -	Product - Customer Drw	sheet 4 of 7	rev <b>C</b>
linear	0.X	±.3																			
	0.XX	±.10																			
	0.XXX	±.050																			
angular	0°	±°																			

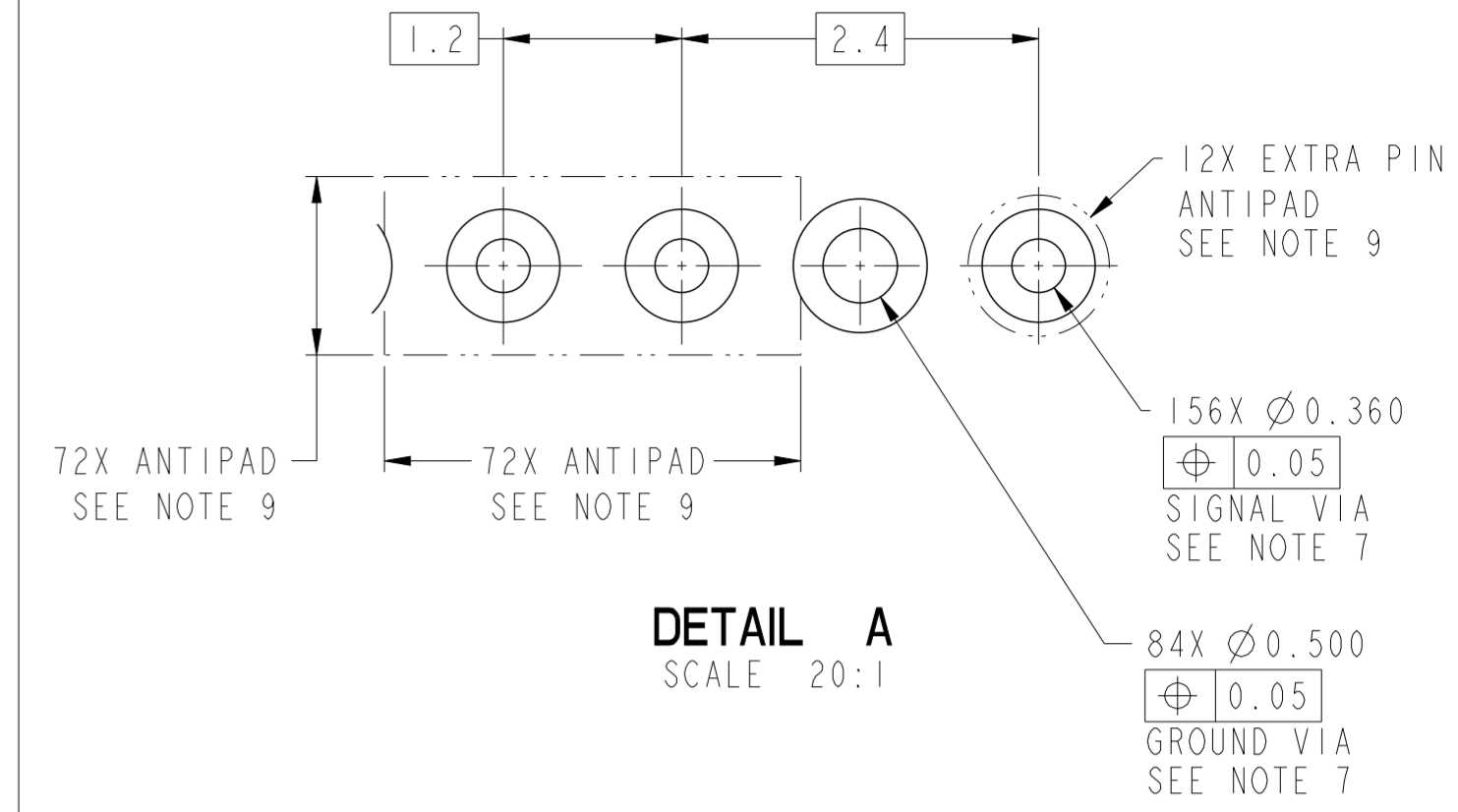
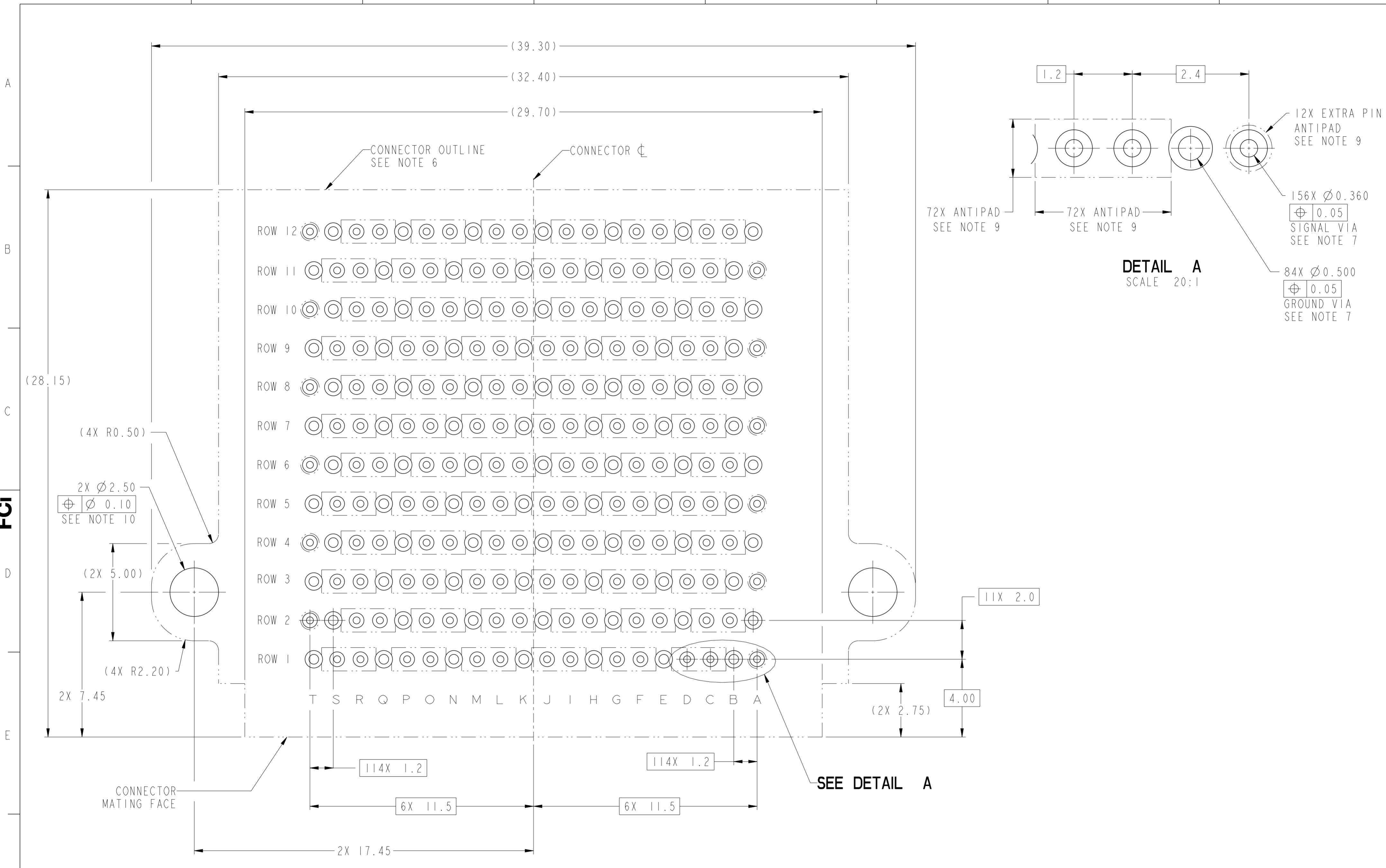
PDS: Rev :C

STATUS:Released

Printed: May 05, 2020

Amphenol FCI

© 2016 AFCI

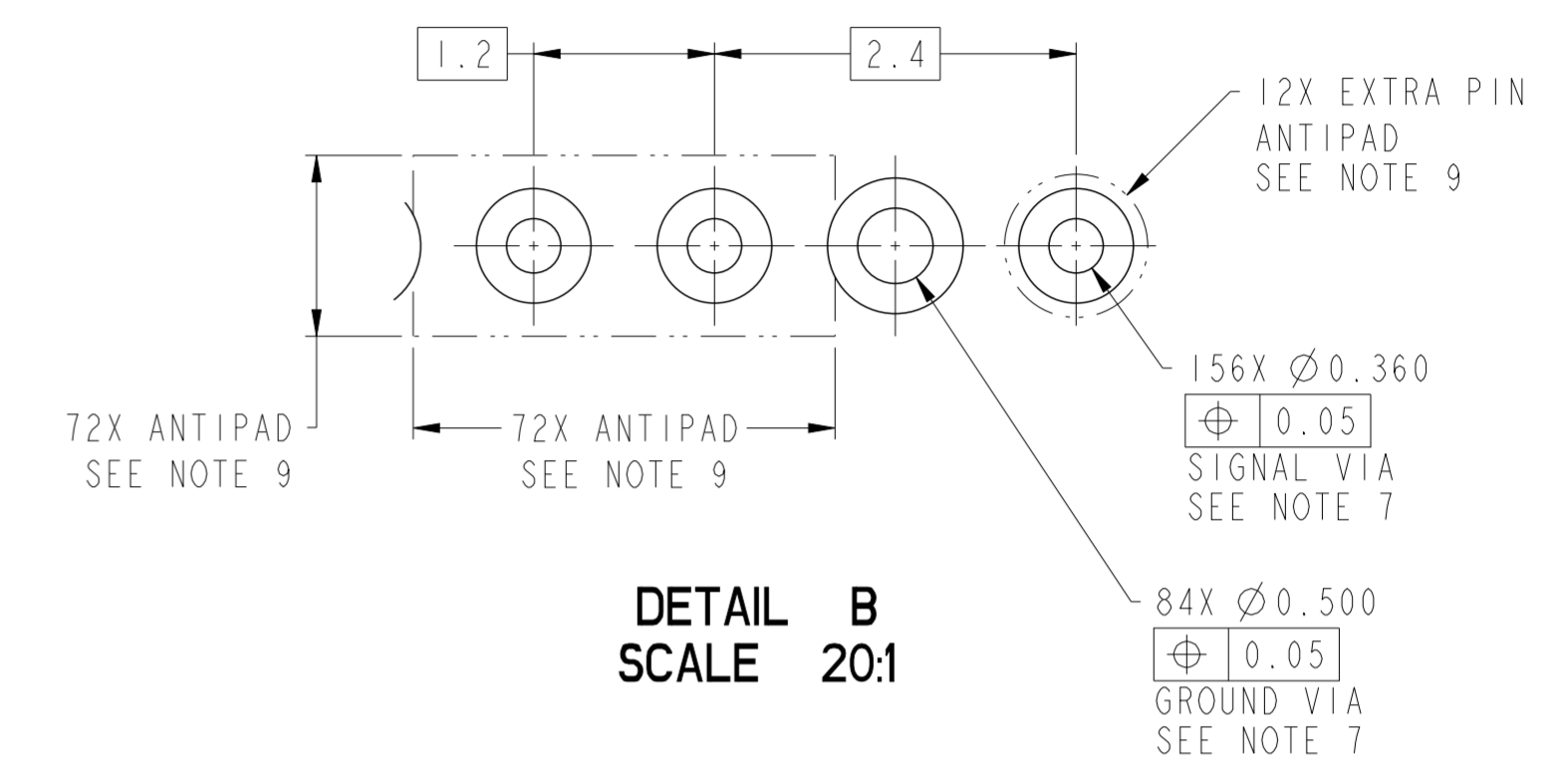
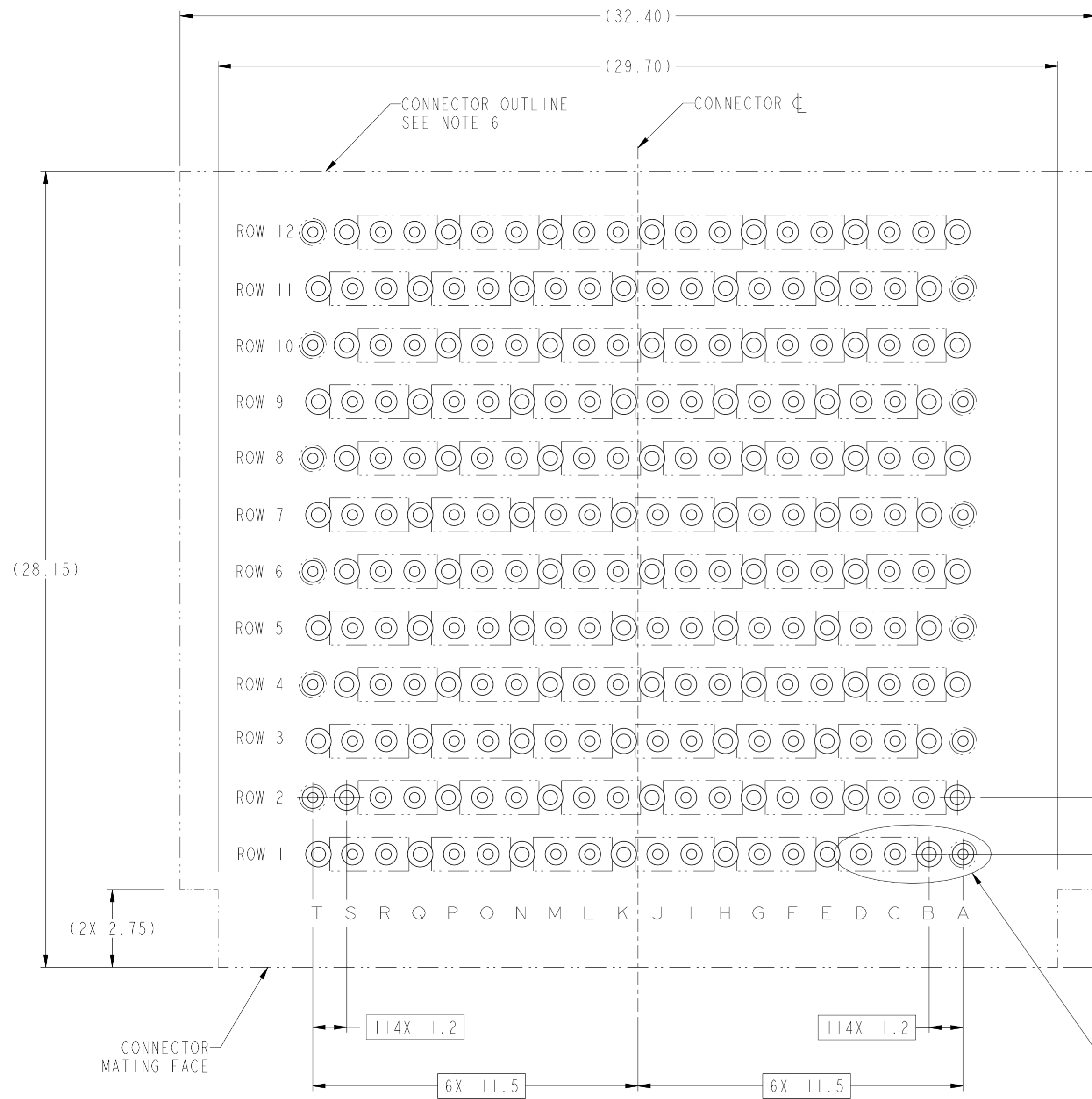


Amphenol  
FCi

© 2016 AFci

**RECOMMENDED PCB LAYOUT FOR P/N 10129181-101YLF AND 10129181-104YLF**  
**COMPONENT SIDE**  
**NOTES 6, 7, 9, & 10**  
**SCALE 8:1**

spec ref	---	dr	Mark R Gray	2014/02/24	projection	MM	size	A2	scale	2:1
tolerance std	ASME Y14.5M	eng	Peng-Bing Fu	2020/05/04			ecn no	ELX-DG-36098-1	rel level <b>Released</b>	
TOLERANCES UNLESS OTHERWISE SPECIFIED		chr	-	appr			Heaven Cen	2020/05/04		product family
surface	linear 0.X ±.3 0.XX ±.10 0.XXX ±.050 angular 0° ±°	<b>Amphenol FCI</b>		title ExaMAX Orthogonal R.A. Header 6 PAIR, 12 IMLA (240 Position) ASS'Y			cat. no. Product - Customer Drw	dwg no 10129181		rev <b>C</b>



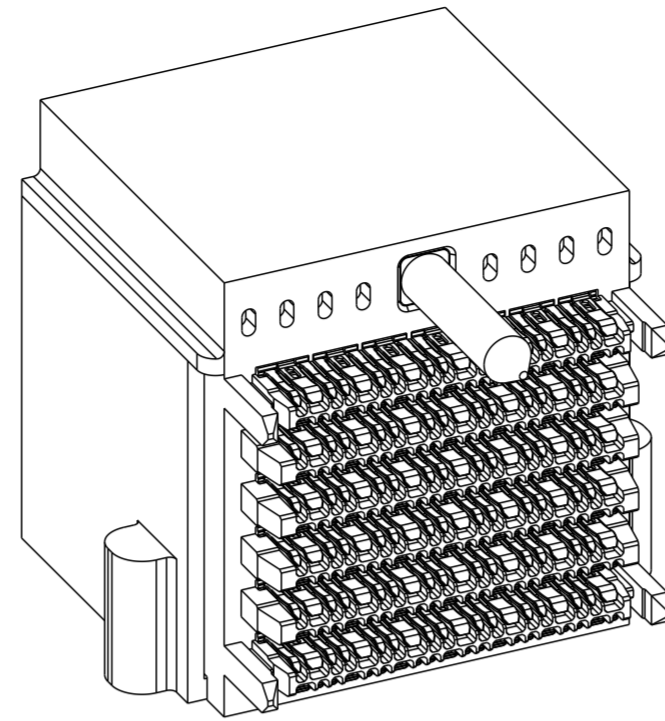
SEE DETAIL B

**RECOMMENDED PCB LAYOUT FOR P/N 10129181-102YLF AND 10129181-103YLF**  
**COMPONENT SIDE**  
**NOTES 6, 7, & 9**  
**SCALE 8:1**

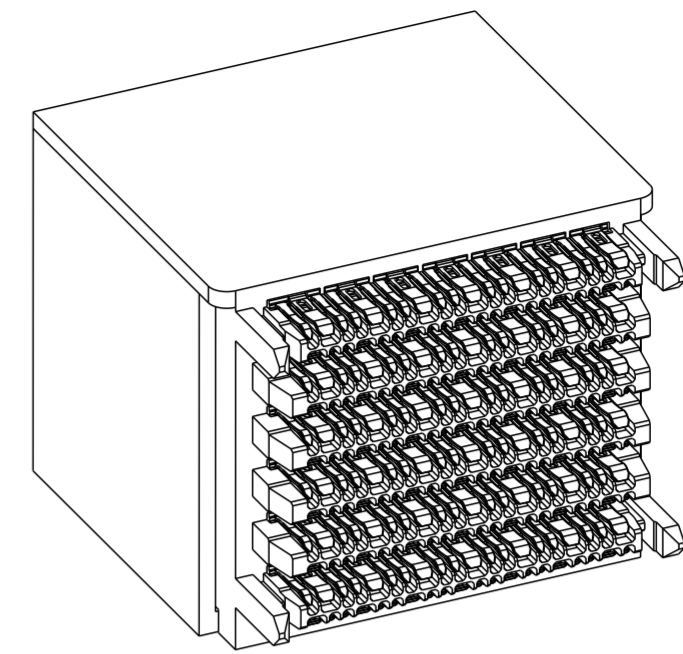
spec ref	---	dr	Mark R Gray	2014/02/24	projection	MM	size	A2	scale	4:1
tolerance std	ASME Y14.5M	eng	Peng-Bing Fu	2020/05/04	chr	-	ecn no	ELX-DG-36098-1	rel level	Released
surface	✓	appr	Heaven Cen	2020/05/04	product family	-	cat. no.	10129181	rev	C
TOLERANCES UNLESS OTHERWISE SPECIFIED		Amphenol FCI		title		6 PAIR, 12 IMLA (240 Position) ASS'Y		Product - Customer Drw		sheet 6 of 7
linear	0.X ±.3	0.XX ±.10	0.XXX ±.050	Title		ExaMAX Orthogonal R.A. Header		Product - Customer Drw		sheet 6 of 7
angular	0° ±°			cat. no.		-		Product - Customer Drw		sheet 6 of 7

NOTES:

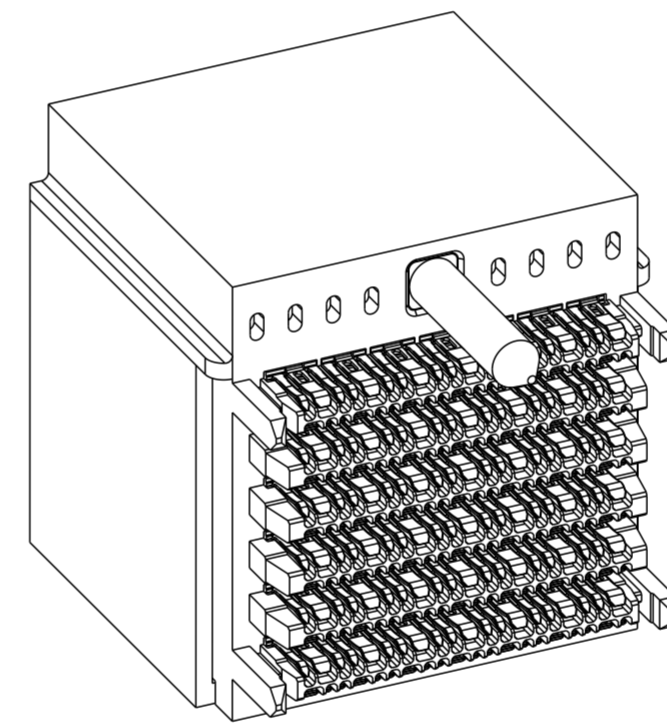
- ① - CONNECTOR MATERIALS:  
 FRONT HOUSING: HIGH TEMP THERMOPLASTIC, BLACK, UL94-V0  
 ORGANIZER: HIGH TEMP THERMOPLASTIC, BLACK, UL94-V0  
 IMLA PLASTIC: HIGH TEMP THERMOPLASTIC, BLACK, UL94-V0  
 CONTACT: COPPER ALLOY  
 GUIDE PIN: STAINLESS STEEL  
 MACHINE SCREW AND LOCK WASHER: STAINLESS STEEL
- 2 - CONTACT PLATING:  
 SEPARABLE INTERFACE:  
 -YYYYLF: PERFORMANCE-BASED PLATING, QUALIFIED TO MEET THE REQUIREMENTS OF FCI PRODUCT SPECIFICATION GS-12-1096 INCLUDING TELCORDIA GR-1217-CORE (NOVEMBER 1995) CENTRAL OFFICE TEST SEQUENCE  
 -YYY2LF:GXT+ OVER NICKEL  
 -YYY9LF:GXT OVER NICKEL  
 PRESS-FIT TAILS: TIN OVER NICKEL (LEAD FREE)
- 3 - PRODUCT SPECIFICATION: GS-12-1096
- 4 - PACKAGING MEETS GS-14-920 LEAD FREE LABELING SPECIFICATION.
- ⑤ - PRODUCT MARKING, (PART NUMBER & LOT CODE), ON THIS SURFACE.
- ⑥ - CONNECTOR OUTLINE MAY BE SCREEN PRINTED ONTO CUSTOMER PCB TO BE USED AS A GUIDE FOR MANUAL CONNECTOR PLACEMENT.
- ⑦ - REFER TO CUSTOMER DRAWING 10119933 FOR INFORMATION ON PCB HOLE DIAMETERS AND PLATING OPTIONS
- ⑧ - LEAD FREE PRODUCT MEETS THE EUROPEAN UNION DIRECTIVES & OTHER COUNTRY REGULATIONS AS DESCRIBED IN GS-47-0004
- ⑨ - REFER TO ROUTING GUIDE GS-20-0511 FOR RECOMMENDATIONS ON OPTIMIZATION OF FOOTPRINT AND TRACE ROUTING LAYOUT.
- ⑩ - IT IS RECOMMENDED THAT CONNECTORS WITH THE OPTIONAL SCREW MOUNTS USE A TRI-ROUNDULAR, OR TRILOBULAR<sup>®</sup> SHAPED M1.91 OR M2 THREAD FORMING SCREW DESIGNED SPECIFICALLY FOR PLASTIC MATERIAL TO SECURE THE CONNECTOR TO THE PCB. THE SCREW LENGTH SHOULD BE 4.00mm TO 8.00mm LONG PLUS THE BOARD THICKNESS.
- 11 - THE CONNECTOR WILL WITHSTAND EXPOSURE TO 260° C PEAK TEMPERATURE FOR 10-30 SECONDS IN A CONVECTION, INFRA-RED, OR VAPOR PHASE REFLOW OVEN.



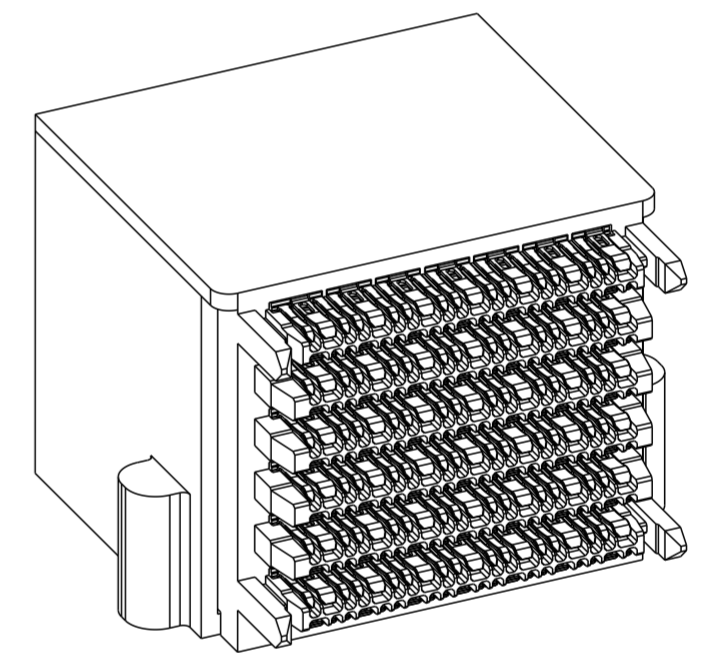
10129181-101YLF



10129181-102YLF



10129181-103YLF



10129181-104YLF

Amphenol  
FCi

© 2016 AFCI

spec ref	---	dr	Mark R Gray	2014/02/24	projection	MM	size	A2	scale	2:1
tolerance std	ASME Y14.5M	eng	Peng-Bing Fu	2020/05/04			ecn no	ELX-DG-36098-1		
TOLERANCES UNLESS OTHERWISE SPECIFIED		chr	-	rel level				Released		
surface	<input checked="" type="checkbox"/> linear <input type="checkbox"/> angular	0.X	±.3	<b>Amphenol FCi</b>	title ExaMAX Orthogonal R.A. Header 6 PAIR, 12 IMLA (240 Position) ASS'Y	dwg no 10129181	rev C	Product - Customer Drw		
		0.XX	±.10					sheet 7 of 7		
		0.XXX	±.050							
		angular	0°							