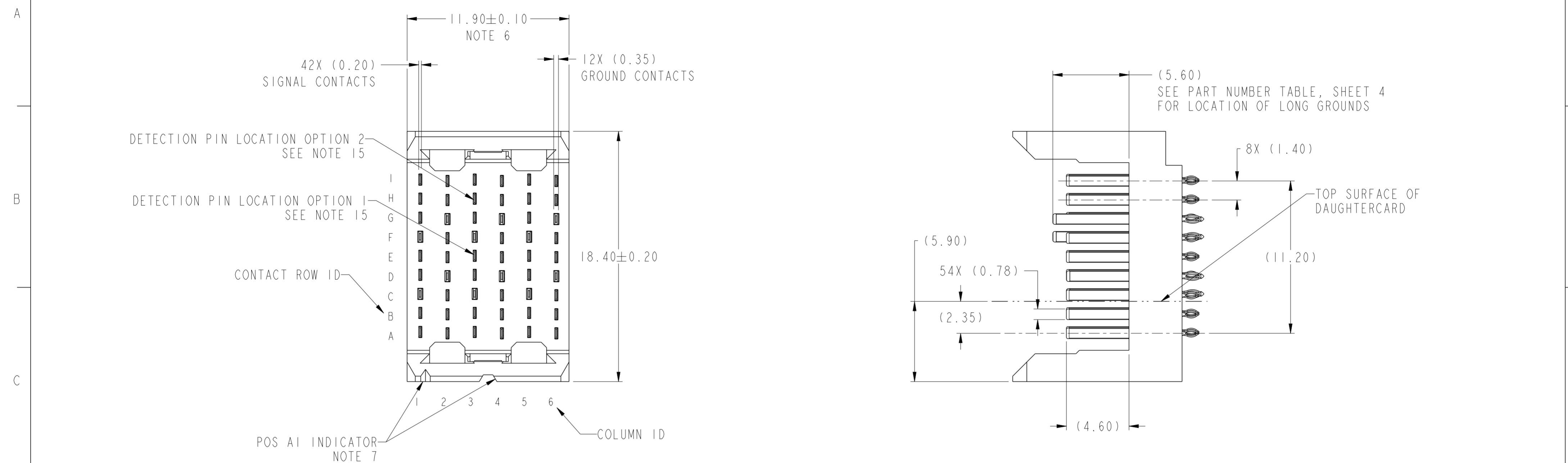


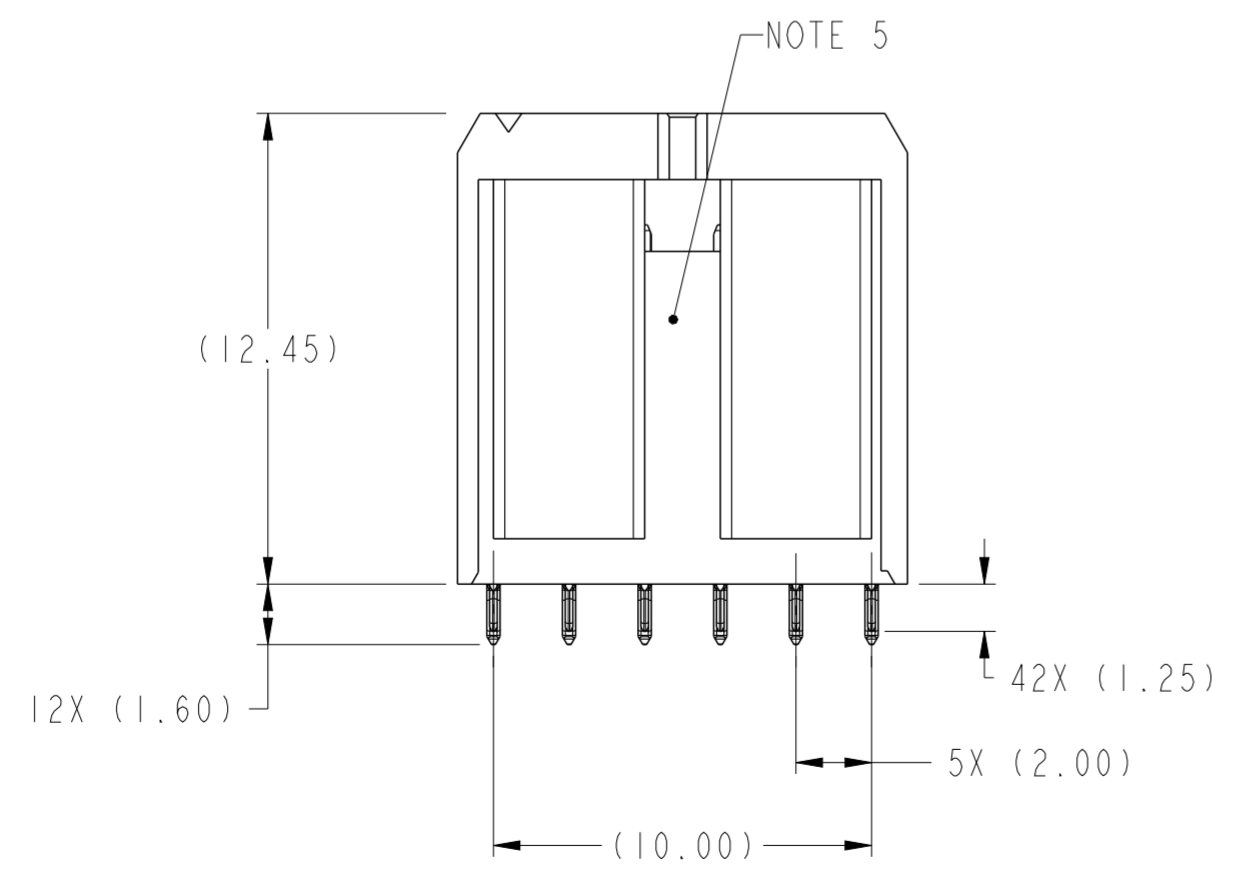
Product number
SEE TABLE, SHT 3



Amphenol
FCi

© 2016 AFci

F



spec ref	-	dr	Sandar Soe	2012/1/12	projection	MM	size	A2	scale	5:1
tolerance std	ASME Y14.5	eng	Terry Luo	2020/09/08	chr	-	ecn no	ELX-DG-38252-1	rel level	Released
TOLERANCES UNLESS OTHERWISE SPECIFIED		appr	Heaven Cen	2020/09/17	product family	AIRMAX VSe	rel level	Released		
surface	linear	0.X	±0.3	Amphenol FCi	TITLE AIRMAX VSE VERTICAL HEADER 3 PAIR 54 POS 2MM 6 COL SMALL PRESS FIT,GXT+		part no	10123358	rev	D
		0.XX	±0.10							
		0.XXX	±0.050							
ASME Y14.5	angular	0°	±2°	cat. no.	-	Product - Customer Drw	sheet 1 of 4			

PDS: Rev :D

STATUS:Released

Printed: Sep 18, 2020

1 2 3 4 5 6 7 8

A

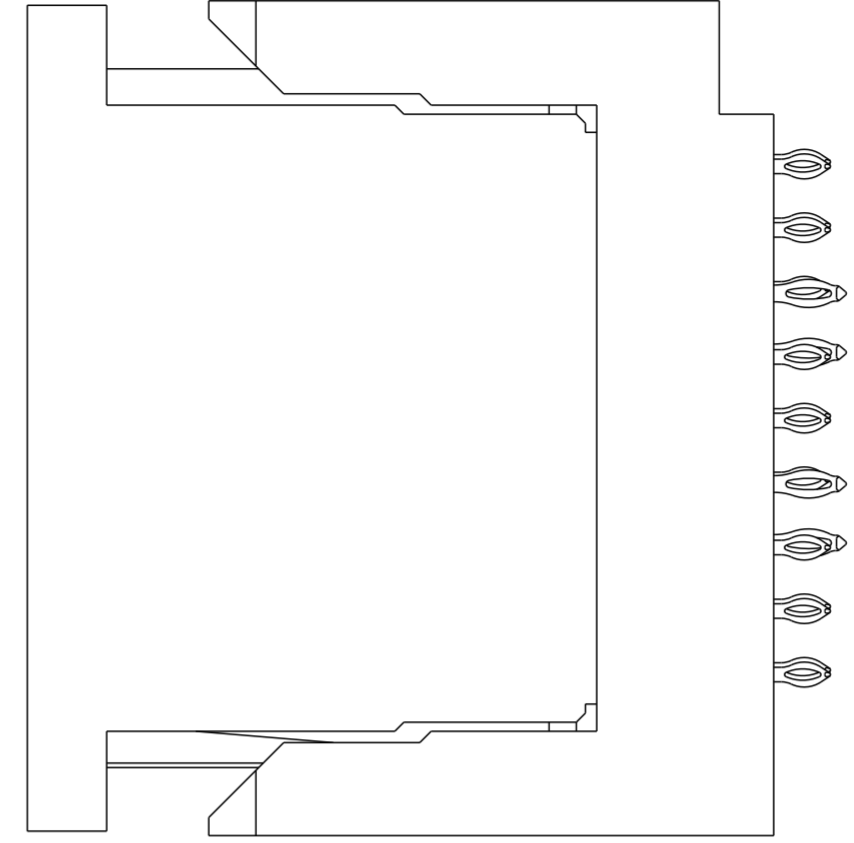
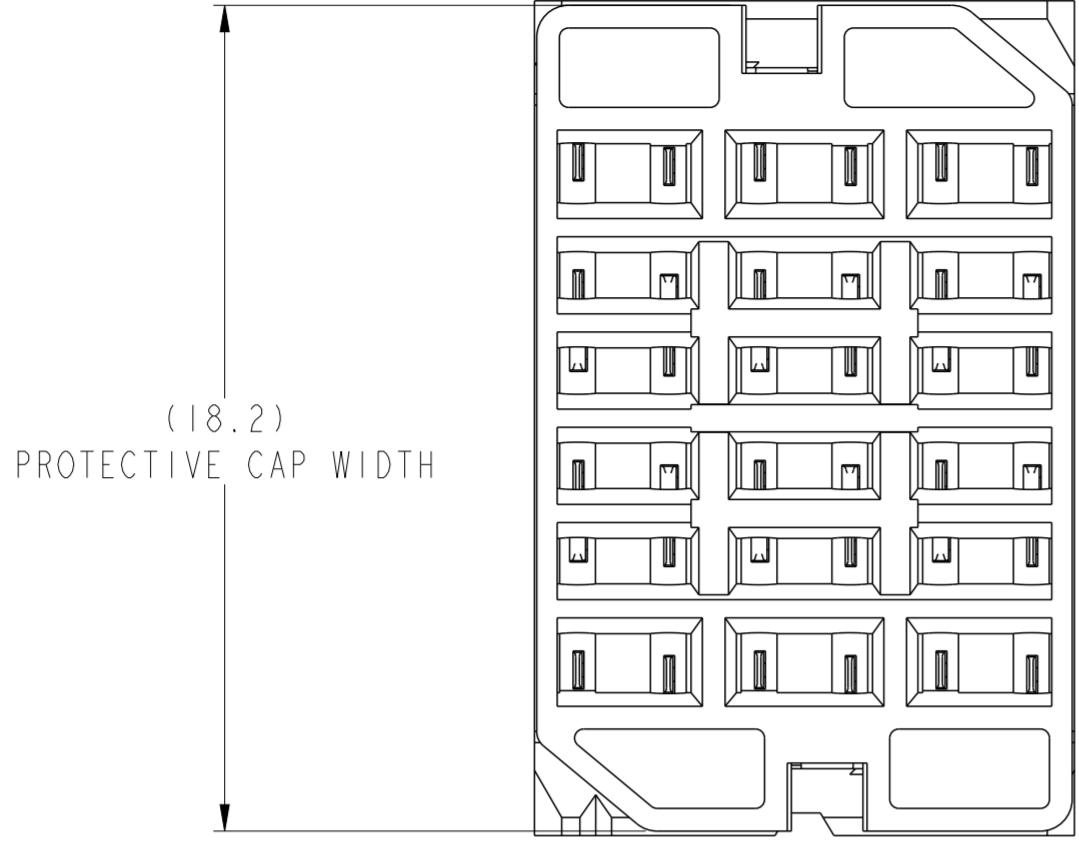
B

C

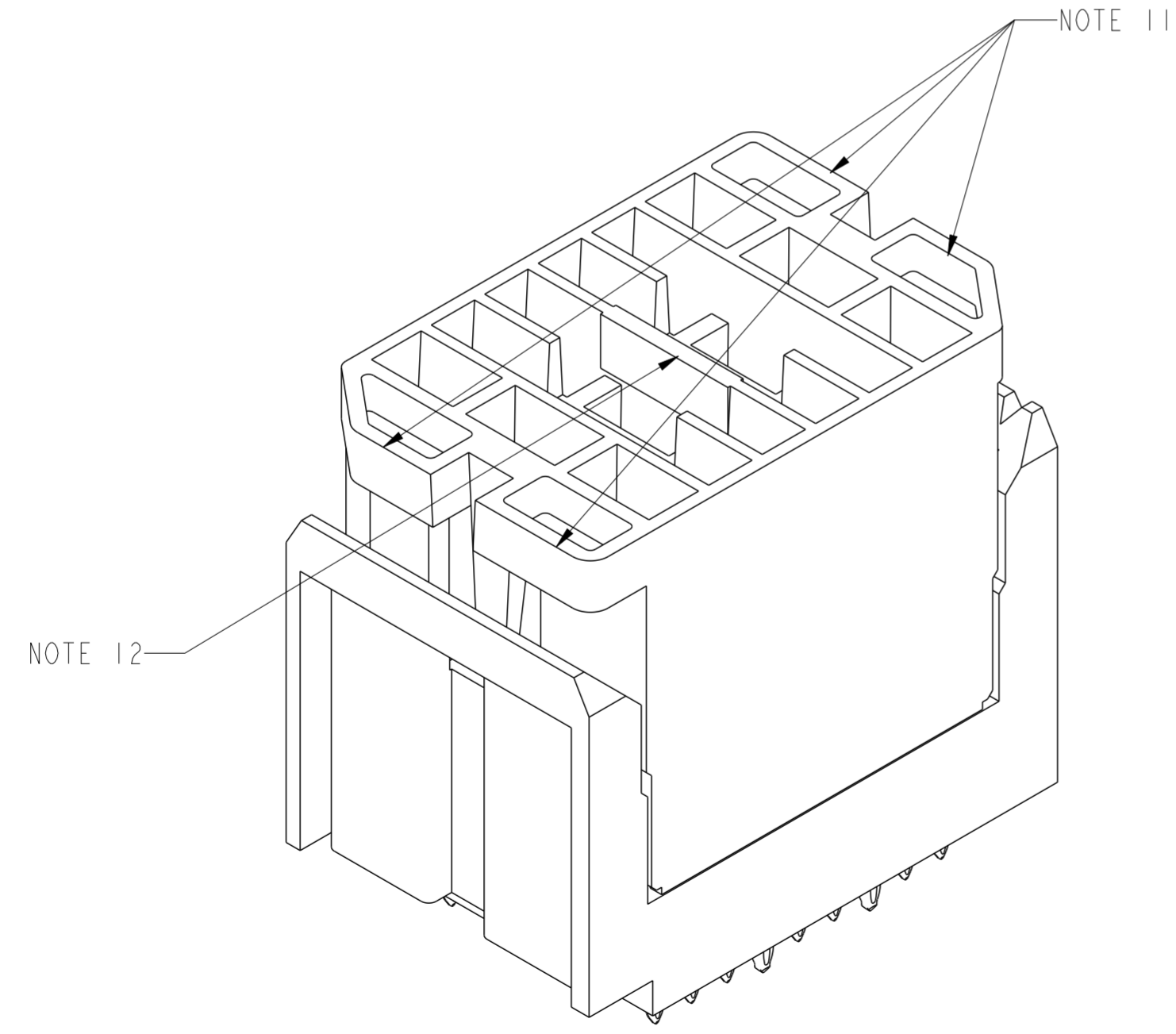
D

E

F



VIEWS SHOWN WITH
PROTECTIVE COVER INSTALLED
10123358-101LF & 111LF & 121LF



Amphenol
FCi

© 2016 AFCI

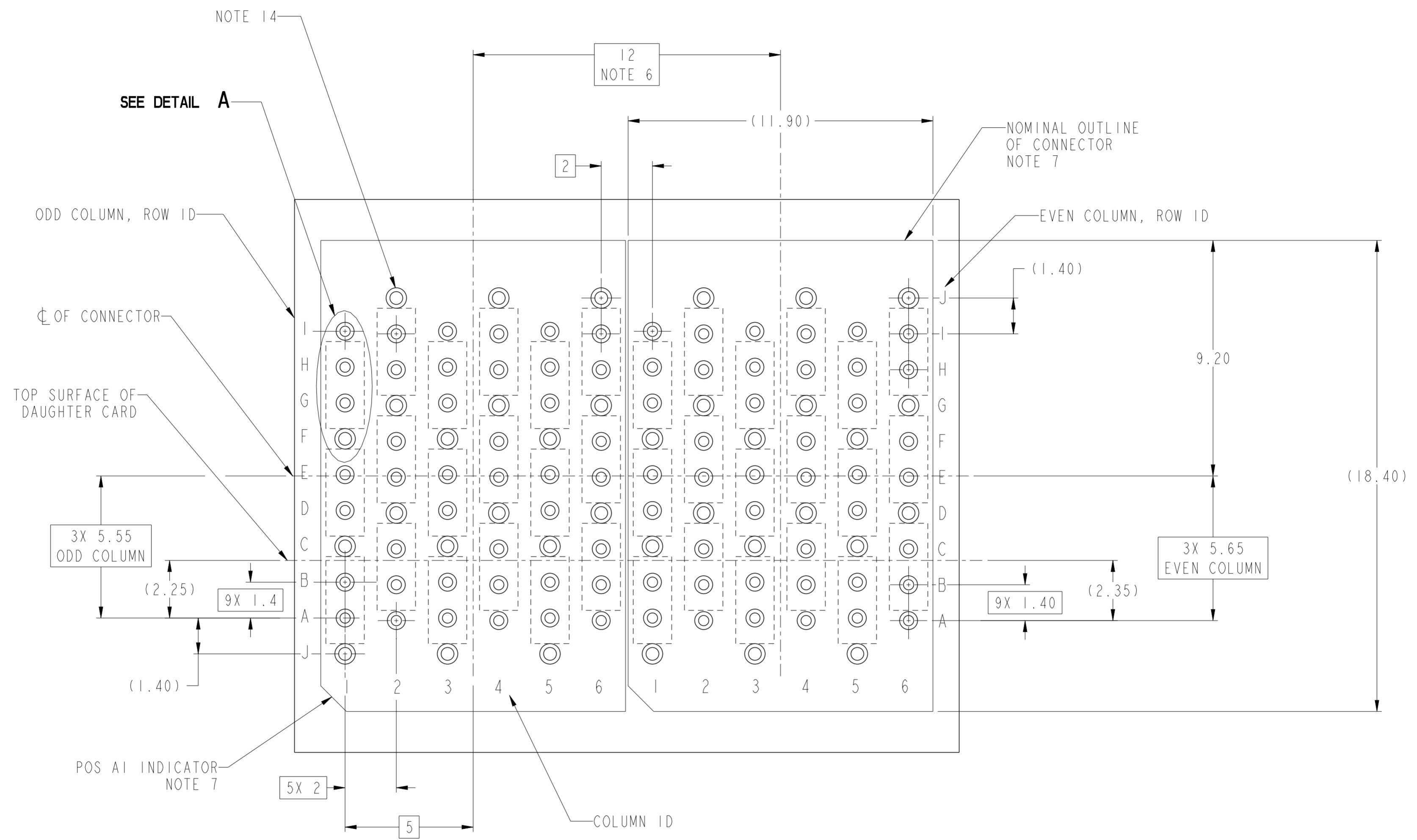
spec ref	-	dr	Sandar Soe	2012/11/12	projection	MM	size	A2	scale	5:1	
tolerance std	ASME Y14.5	eng	Terry Luo	2020/09/08			ecn no	ELX-DG-38252-1			
		chr	-	appr			Heaven Cen	2020/09/17	product family	AIRMAX VSe	rel level
surface	-	linear	0.X	±0.3		AIRMAX VSE VERTICAL HEADER 3 PAIR 54 POS 2MM 6 COL SMALL PRESS FIT,GXT+	cat. no.	10123358	rev	D	
			0.XX	±0.10							
			0.XXX	±0.050							
		angular	0°	±2°							
ASME Y14.5									Product - Customer Drw	sheet 2 of 4	

PDS: Rev :D

STATUS:Released

Printed: Sep 18, 2020

1 2 3 4 5 6 7 8



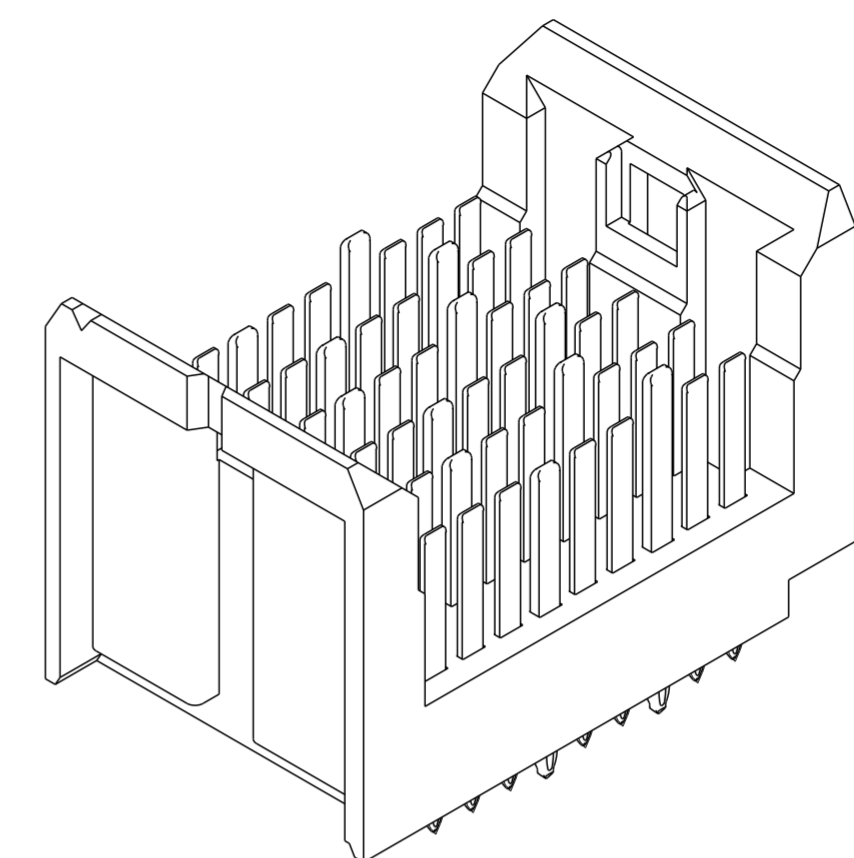
RECOMMENDED PCB LAYOUT
FOR DIFFERENTIAL APPLICATIONS,
COMPONENT SIDE
(TWO ADJACENT FOOTPRINTS SHOWN)
NOTES 6, AND 8

Amphenol
FCi

© 2016 AFci

spec ref	-	dr	Sandar Soe	2012/1/12	projection	MM	size	A2	scale	3:1
tolerance std	ASME Y14.5	eng	Terry Luo	2020/09/08			ecn no	ELX-DG-38252-1	rel level	Released
TOLERANCES UNLESS OTHERWISE SPECIFIED		chr	-	product family			AIRMAX VSe			
surface	-	appr	Heaven Cen	2020/09/17			rel level	Released		
linear	0.X ±0.3 0.XX ±0.10 0.XXX ±0.050	Amphenol FCi		title		AIRMAX VSE VERTICAL HEADER	dwg no	10123358	rev	D
angular	0° ±2°	cat. no.		Product - Customer Drw		sheet 3 of 4				

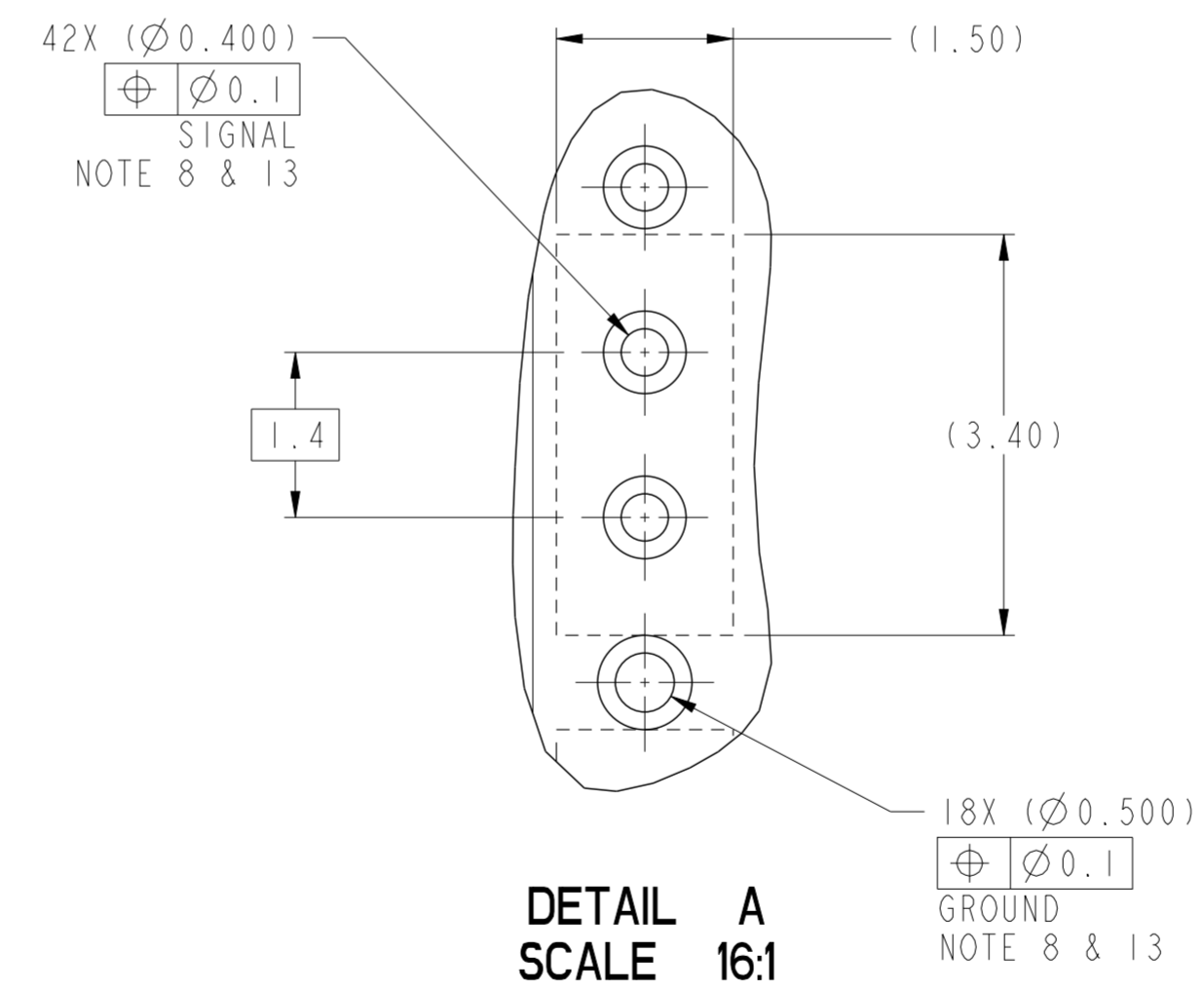
PART NUMBER	PRESS-FIT TAIL PLATING TYPE	PROTECTIVE COVER	DETECTION PIN LOCATION	LONG GROUND PIN LOCATIONS (5.6MM)	REMARKS
10123358-101LF	TIN OVER NICKEL (LEAD FREE)	YES	N/A	F1, F3, F5 G2, G4, G6	2-SIDED PLATING
10123358-111LF		YES	H3		
10123358-121LF		YES	E3		



10123358-101LF WITHOUT PROTECTIVE COVER

NOTES:

- CONNECTOR MATERIALS:
HOUSING: HIGH TEMP THERMOPLASTIC, BLACK, UL94V-0
CONTACT: COPPER ALLOY
- CONTACT PLATING:
SEPARABLE INTERFACE: PERFORMANCE-BASED PLATING, QUALIFIED TO MEET THE REQUIREMENTS OF FCI PRODUCT SPECIFICATION GS-12-239 INCLUDING TELCORDIA GR-1217-CORE (NOVEMBER 1995) CENTRAL OFFICE TEST SEQUENCE
PRESS-FIT TAILS: SEE TABLE
- PRODUCT SPECIFICATION: GS-12-239.
- APPLICATION SPECIFICATION: GS-20-035.
- PRODUCT MARKING, (PROTOTYPE, PART NUMBER & LOT CODE), ON THIS SURFACE.
- THE MINIMUM CENTERLINE SPACING BETWEEN ADJACENT MODULES IS 12.0 mm.
- CONNECTOR OUTLINE WITH HOUSING POS AI INDICATOR MAY BE SCREEN PRINTED ONTO CUSTOMER PCB TO BE USED AS A GUIDE FOR MANUAL CONNECTOR PLACEMENT.
- REFER TO CUSTOMER DRAWING 10104444 FOR INFORMATION ON PCB HOLE DIAMETERS AND PLATING OPTIONS.
- LEAD FREE PRODUCT MEETS EUROPEAN UNION DIRECTIVES AND OTHER COUNTRY REGULATIONS AS DESCRIBED IN GS-22-008.
- PACKAGING MEETS GS-14-920 LEAD FREE LABELING SPECIFICATION.
- FOR REMOVAL OF THE PROTECTIVE CAP BY HAND, GRIP USING THESE SURFACES.
- FOR REMOVAL OF THE PROTECTIVE CAP WITH PLIERS, GRIP USING THIS FEATURE.
- GROUND VIAS IN POSITIONS C, F, & J FOR ODD COLUMNS AND POSITIONS D, G, & J FOR EVEN COLUMNS REQUIRE (Ø0.50) FINISHED HOLES. ALL OTHER VIAS REQUIRE (Ø0.40) FINISHED HOLES.
- THE OUTER VIAS IN COLUMN J ARE OPTIONAL. IF ADDED THESE HOLES PROVIDE GROUND SYMETRY THROUGH THE PCB. NO CONNECTOR EONS WILL BE PRESSED INTO THESE HOLES.
- MATING PIN E3 & H3 IS 0.5mm LESS WIPE NOMINAL THAN THE SHOREST PIN.



Amphenol FCI

© 2016 APCI

spec ref	-	dr	Sandar Soe	2012/11/12	projection	MM	size	A2	scale	5:1
tolerance std	ASME Y14.5	eng	Terry Luo	2020/09/08	chr	-	ecn no	ELX-DG-38252-1	rel level	Released
surface	-	appr	Heaven Cen	2020/09/17	product family	AIRMAX VSe	cat. no.	10123358	rev	D
ASME Y14.5	linear	0.X	±0.3	0.XX	±0.10	0.XXX	±0.050	angular	0°	±2°
		Amphenol FCI		title		AIRMAX VSE VERTICAL HEADER		Product - Customer Drw		sheet 4 of 4

PDS: Rev :D

STATUS:Released

Printed: Sep 18, 2020