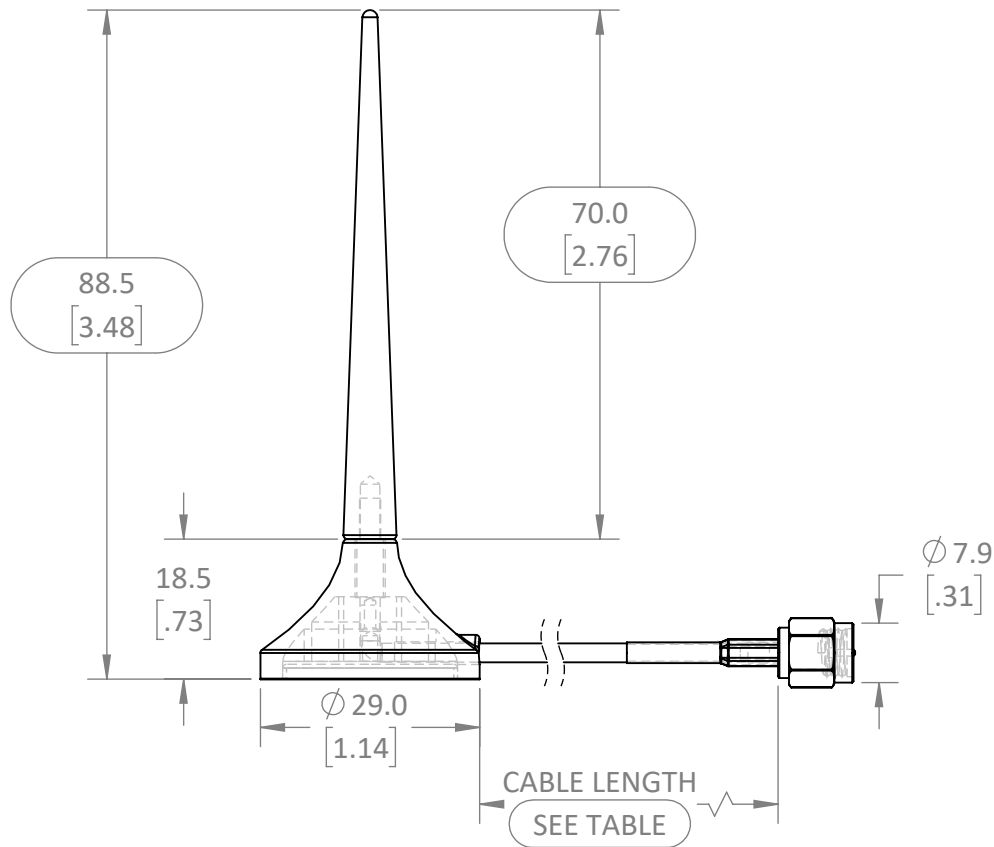


REVISIONS			
REV	DESCRIPTION	DATE	APPV
A	PRODUCTION RELEASE	JHAGER 12/23/21	



NOTES: (UNLESS OTHERWISE SPECIFIED)

- ALL DIMENSIONS ARE IN MILLIMETERS [IN].
- DIMENSIONS APPLY AFTER FINISHING.
- MANUFACTURE TO BE COMPLIANT WITH EU RoHS DIRECTIVE, USE MATERIALS THAT DO NOT CONTAIN REACH SUBSTANCES OF VERY HIGH CONCERN >1000ppm, AND USE DRC CONFLICT-FREE SOURCED MATERIALS.
- ELECTRICAL PROPERTIES SHOWN FOR REFERENCE ONLY. SEE LINX DATA SHEET FOR COMPLETE ELECTRICAL PROPERTIES:
 - IMPEDANCE: 50Ω
 - FREQUENCY: 700 - 7200MHz
 - VSWR: NTE 1.5
 - POLARIZATION: VERTICAL
- ANTENNA QUALIFIED IAW LINX INTERNAL TEST PLAN DOCUMENT AT LATEST REVISION.
- MECHANICAL PROPERTIES:
 - CONNECTOR: 8mm HEX TYPE NICKEL PLATED
 - INTERFACE: SMA TYPE IAW MIL-STD-348 B
 - USAGE TEMPERATURE: -20°C - +60°C
 - MAGNETIC MOUNT

LINX PART NUMBER	CABLE LENGTH
ANT-5GW-MMG2-SMA-1	1M ± 10mm
ANT-5GW-MMG2-SMA-2	2M ± 20mm
ANT-5GW-MMG2-SMA-3	3M ± 30mm

WARNING: THIS DRAWING CONTAINS PROPRIETARY INFORMATION THAT IS THE SOLE PROPERTY OF LINX TECHNOLOGIES, AND SHALL BE TREATED AS SUCH. NO DISCLOSURE OR REPRODUCTION OF THIS DOCUMENT IS PERMITTED, IN WHOLE OR IN PART, WITHOUT THE EXPRESS WRITTEN PERMISSION OF LINX TECHNOLOGIES OR ITS DESIGNATED AGENTS.

MATERIAL:	INTERPRET DIMENSIONS AND TOLERANCES PER ASME Y14.5.	PROJECTION:
ABS	.X ±2.0	ANGLES: ±1°
BRASS	.XX ±1.00	SURFACE: √
	.XXX ±.500	
FINISH:	DRAWN: JHAGER	DT: 12/27/21
TEXTURED	ENGR: DASARATHAN	DT: 12/27/21
POWDER COATED		



159 ORT LANE
MERLIN, OR 97532

TITLE:
**ANTENNA 4G MAG-MOUNT
SMA TYPE WITH CABLE.**

SIZE	DWG. NO.	REV
A	C-ANT-5GW-MMG2-SMA-X	A
SCALE: 1:1	DO NOT SCALE DRAWING	SHEET 1 OF 1