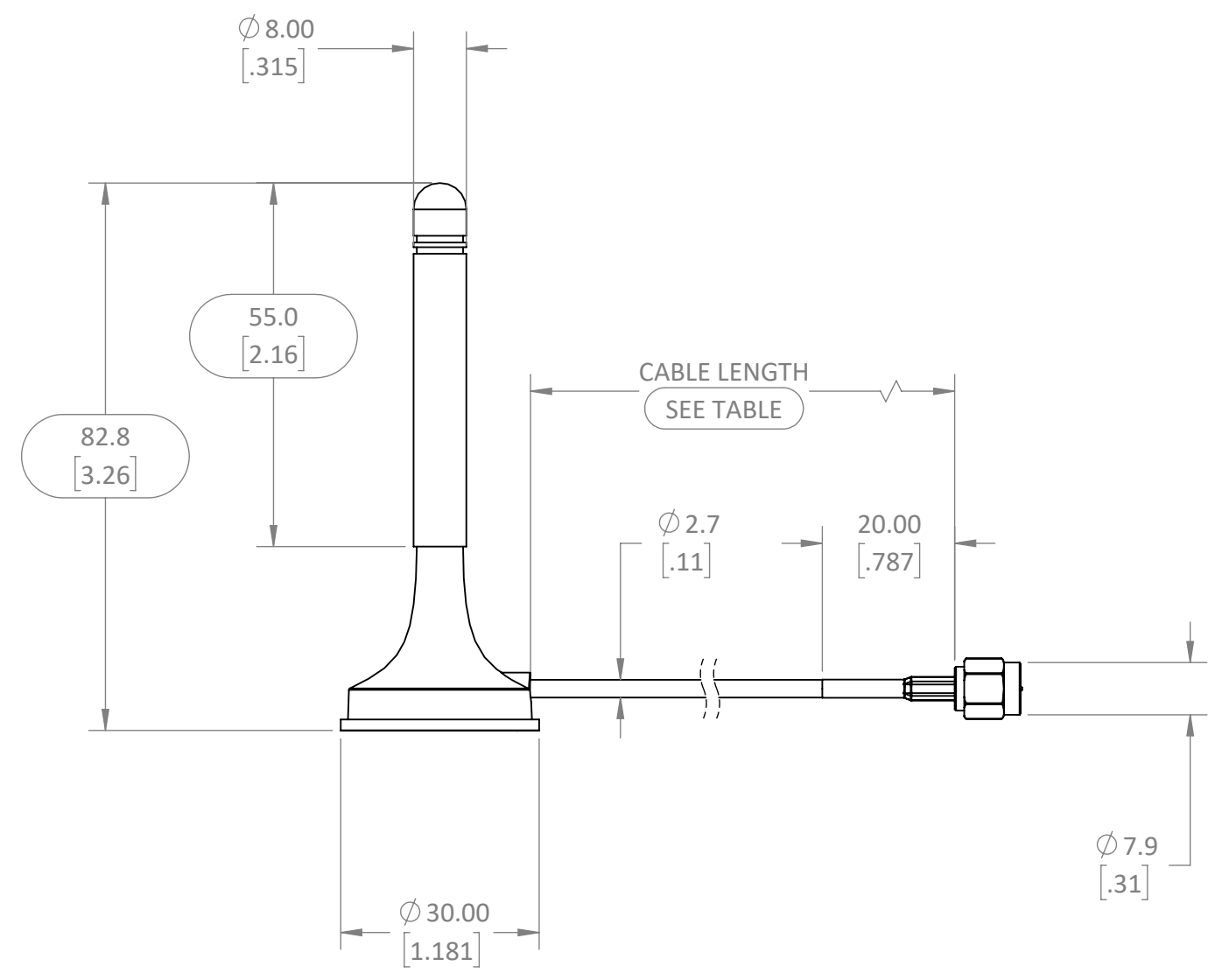


REVISIONS			
REV	DESCRIPTION	DATE	APPV
A	PRODUCTION RELEASE	JHAGER 1/11/22	

- NOTES: (UNLESS OTHERWISE SPECIFIED)
- ALL DIMENSIONS ARE IN MILLIMETERS [IN].
 - DIMENSIONS APPLY AFTER FINISHING.
 - MANUFACTURE TO BE COMPLIANT WITH EU RoHS DIRECTIVE, USE MATERIALS THAT DO NOT CONTAIN REACH SUBSTANCES OF VERY HIGH CONCERN >1000ppm, AND USE DRC CONFLICT-FREE SOURCED MATERIALS.
 - ELECTRICAL PROPERTIES SHOWN FOR REFERENCE ONLY. SEE LINX DATA SHEET FOR COMPLETE ELECTRICAL PROPERTIES.
 - IMPEDANCE: 50Ω
 - FREQUENCIES: 700 - 2700MHz
 - VSWR: NTE 4.3
 - POLARIZATION: VERTICAL
 - ANTENNA QUALIFIED IAW LINX INTERNAL TEST PLAN AT LATEST REVISION.
 - MECHANICAL PROPERTIES:
 - INTERFACE: SMA TYPE IAW MIL-STD-348B
 - USAGE TEMPERATURE: -20°C ~ +80°C
 - MAGNETIC MOUNT
 - CABLE TYPE: RG-174
 - CABLE MINIMUM BEND RADIUS: 10.0mm
 - PACKAGE PER PURCHASE ORDER AND LABEL IAW DRAWING PROVIDED.



ITEM NUMBER	CABLE LENGTH
ANT-5GW-MMG1-SMA-1	1M ± 10mm
ANT-5GW-MMG1-SMA-2	2M ± 20mm
ANT-5GW-MMG1-SMA-3	3M ± 30mm

WARNING: THIS DRAWING CONTAINS PROPRIETARY INFORMATION THAT IS THE SOLE PROPERTY OF LINX TECHNOLOGIES, AND SHALL BE TREATED AS SUCH. NO DISCLOSURE OR REPRODUCTION OF THIS DOCUMENT IS PERMITTED, IN WHOLE OR IN PART, WITHOUT THE EXPRESS WRITTEN PERMISSION OF LINX TECHNOLOGIES OR ITS DESIGNATED AGENTS.

STE 159 ORT LANE
connectivity MERLIN, OR 97532

MATERIAL: ABS BRASS, STEEL	INTERPRET DIMENSIONS AND TOLERANCES PER ASME Y14.5. .X ±2.0 .XX ±1.00 .XXX ±.500	ANGLES: ±1° SURFACE:	PROJECTION:
WEIGHT:	DRAWN: JHAGER	DT: 1/7/21	
FINISH:	ENGR: DASARATHAN	DT: 1/4/21	

TITLE: ANTENNA MAGNET MOUNT RP SMA TYPE		
SIZE B	DWG. NO. C-ANT-5GW-MMG1-SMA-X	REV A
SCALE: 1:1	DO NOT SCALE DRAWING	SHEET 1 OF 1