



## HE Series

### 868 MHz Helical Antenna

Linx 868 MHz HE series compact printed circuit board (PCB) mount helical monopole antennas support low-power, wide-area (LPWA) applications including LoRaWAN® and Sigfox®, remote controls, and ISM band applications in the 862 MHz to 876 MHz range.

The HE series antennas are made from 1.3 mm diameter beryllium copper for use in PCB-mount installations requiring a rugged antenna design.

Designed for reflow-solder mounting directly to a printed circuit board for high-volume applications, the 868-HESM offers a surface-mount design and the 868-HETH is for use in a through-hole installation.

#### FEATURES

- Performance at 868 MHz
  - VSWR:  $\leq 2.2$
  - Peak Gain: 5.6 dBi
  - Efficiency: 79%
- Direct PCB attachment
- Reflow- or hand-solder assembly
- Omnidirectional radiation pattern
- Compact size
  - 25.4 mm x 15.3 mm x 8.9 mm

#### APPLICATIONS

- Low-power, wide-area (LPWA) applications
  - LoRaWAN®
  - Sigfox®
- Remote control, monitoring and sensing
  - Security systems
  - Industrial machinery
  - Automated equipment
  - AMR (automated meter reading)
- Internet of Things (IoT) devices
- Smart Home networking
- Hand-held devices

#### ORDERING INFORMATION

Part Number	Description
ANT-868-HESM	868 MHz helical surface-mount antenna
ANT-868-HETH	868 MHz helical through-hole antenna

Available from Linx Technologies and select distributors and representatives.

## TABLE 1. ELECTRICAL SPECIFICATIONS

ANT-8/9-IPW1-SMA	868 MHz
Frequency Range	862 MHz to 876 MHz
VSWR (max)	2.2
Peak Gain (dBi)	5.6
Average Gain (dBi)	-1.1
Efficiency (%)	79
Polarization	Linear
Radiation	Omnidirectional
Max Power	15 W
Wavelength	1/4-wave
Electrical Type	Monopole
Impedance	50 $\Omega$
ESD Sensitivity	NOT ESD sensitive. As a best practice, Linx may use ESD packaging.

Electrical specifications and plots measured with a 84.0 mm x 38.0 mm (3.31 in x 1.50 in) reference ground plane.

## TABLE 2. MECHANICAL SPECIFICATIONS

Parameter	Value
Connection	ANT-868-HESM = surface-mount, ANT-868-HETH = through-hole
Operating Temperature Range	-40 °C to +85 °C
Weight	1.0 g (0.04 oz)
Dimensions	25.4 mm x 15.3 mm x 8.9 (1.00 in x 0.60 in x 0.35 in)

## PRODUCT DIMENSIONS

Figure 1 provides dimensions of the 868-HESM antenna. The dimensions of the 868-HETH antenna are shown in Figure 2.

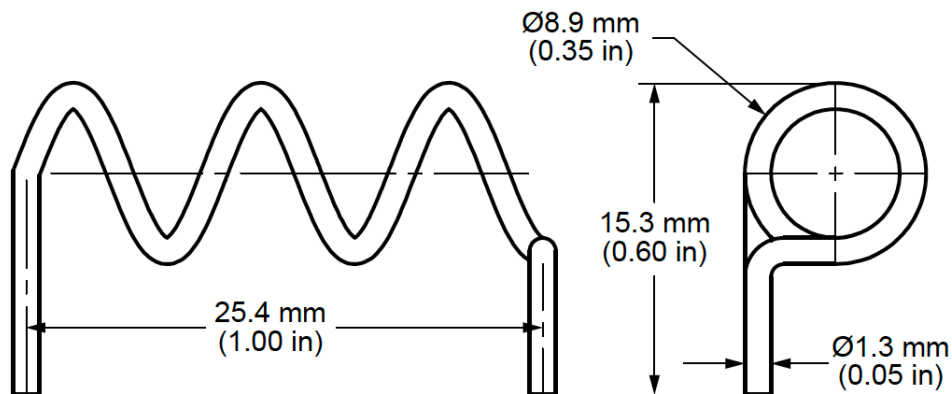


Figure 1. 868-HESM Antenna Dimensions

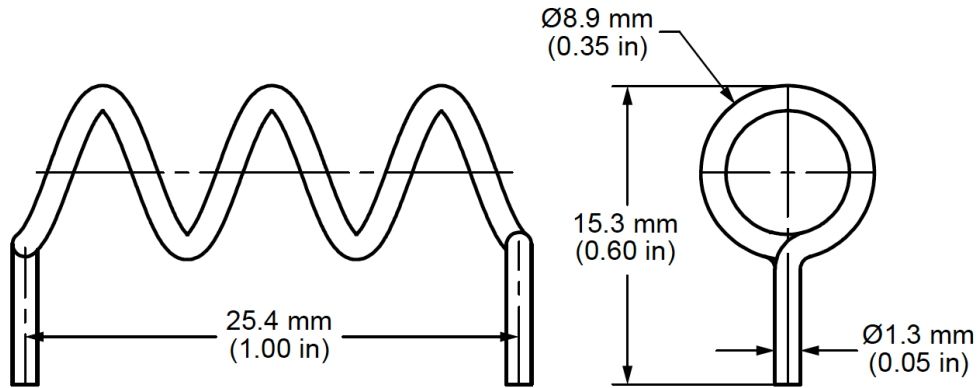


Figure 2. 868-HETH Antenna Dimensions

## PACKAGING INFORMATION

The HE series antennas are packed in a clear plastic PVC bag, labeled with model number and quantity. Distribution channels may offer alternative packaging options.

## VSWR

Figure 3 provides the voltage standing wave ratio (VSWR) across the antenna bandwidth. VSWR describes the power reflected from the antenna back to the radio. A lower VSWR value indicates better antenna performance at a given frequency. Reflected power is also shown on the right-side vertical axis as a gauge of the percentage of transmitter power reflected back from the antenna.

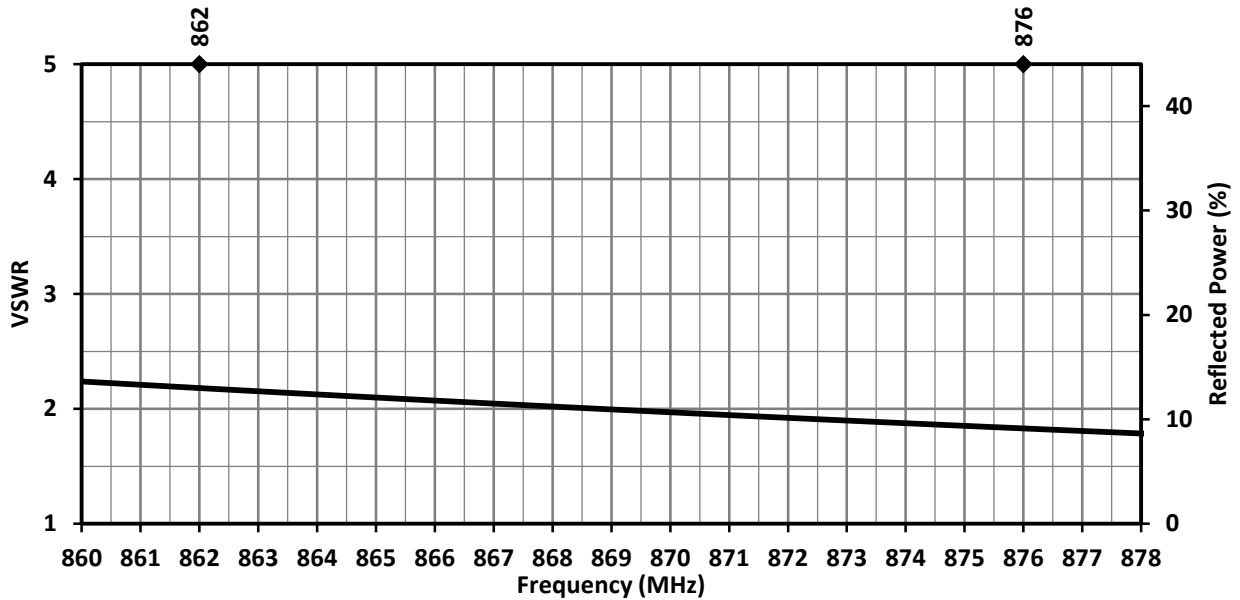


Figure 3. 868-HE Series VSWR

## RETURN LOSS

Return loss (Figure 4), represents the loss in power at the antenna due to reflected signals. Like VSWR, a lower return loss value indicates better antenna performance at a given frequency.

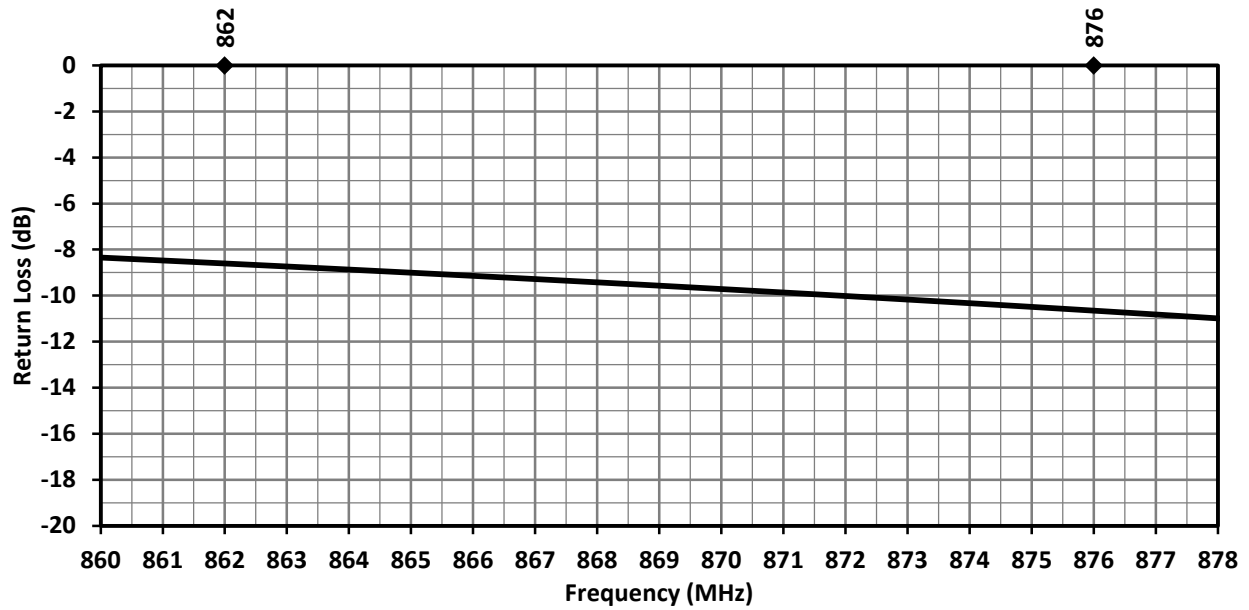


Figure 4. 868-HE Series Return Loss

## PEAK GAIN

The peak gain across the antenna bandwidth is shown in Figure 5. Peak gain represents the maximum antenna input power concentration across 3-dimensional space, and therefore peak performance at a given frequency, but does not consider any directionality in the gain pattern.

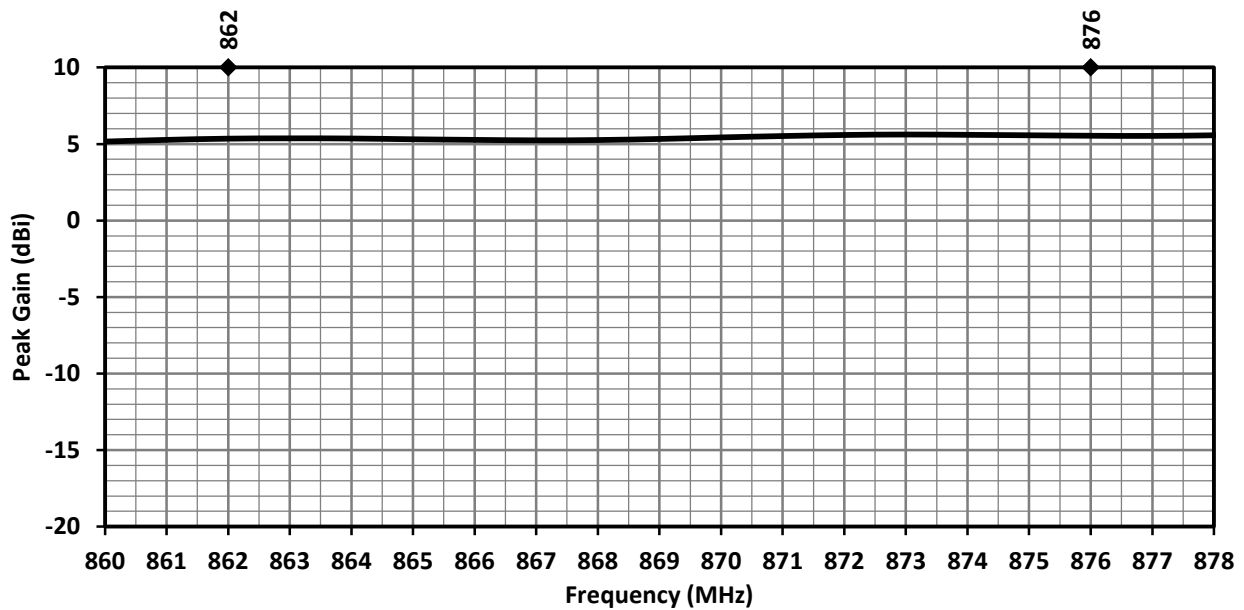


Figure 5. 868-HE Series Peak Gain

## AVERAGE GAIN

Average gain (Figure 6), is the average of all antenna gain in 3-dimensional space at each frequency, providing an indication of overall performance without expressing antenna directionality.

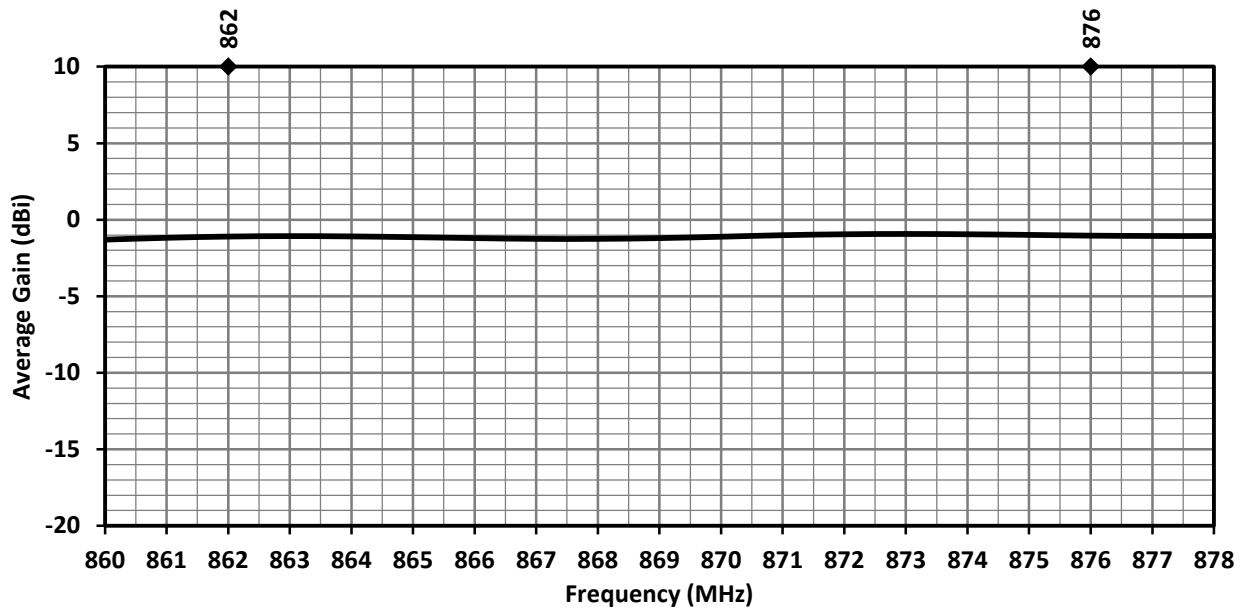


Figure 6. 868-HE Series Antenna Average Gain

## RADIATION EFFICIENCY

Radiation efficiency (Figure 7), shows the ratio of power delivered to the antenna relative to the power radiated at the antenna, expressed as a percentage, where a higher percentage indicates better performance at a given frequency.

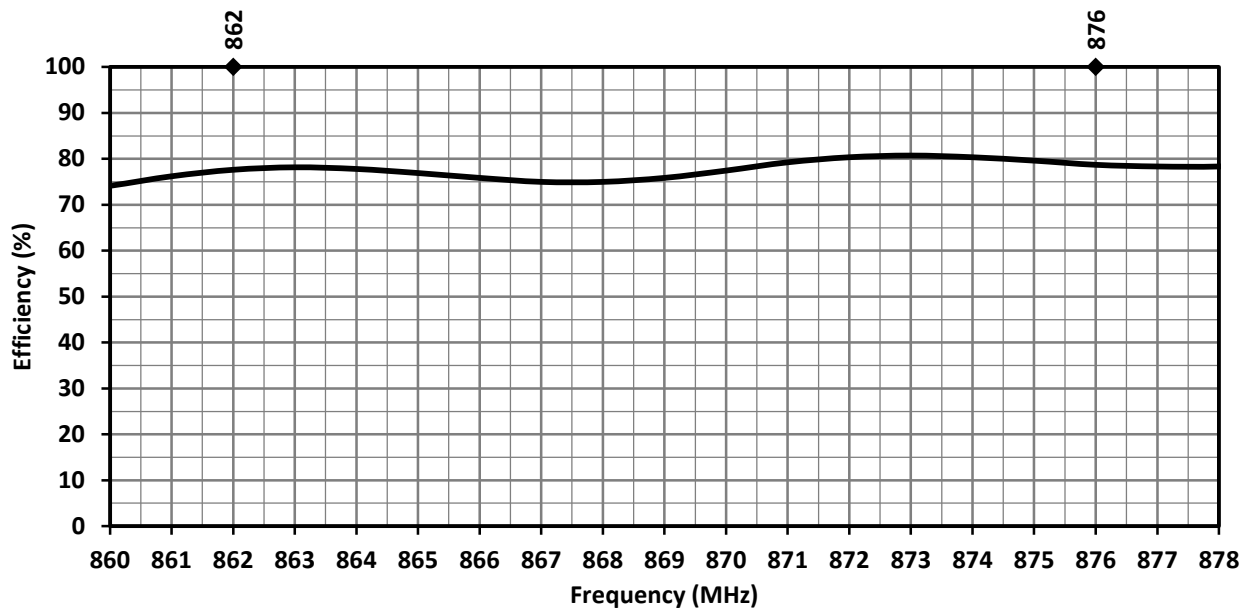
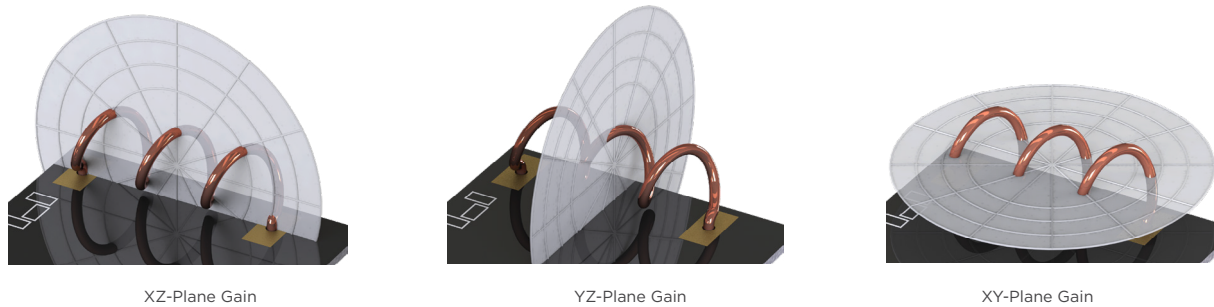


Figure 7. 868-HE Series Antenna Radiation Efficiency

## RADIATION PATTERNS

Radiation patterns provide information about the directionality and 3-dimensional gain performance of the antenna by plotting gain at specific frequencies in three orthogonal planes. Antenna radiation patterns are shown in Figure 8 using polar plots covering 360 degrees. The antenna graphic at the top of the page provides reference to the plane of the column of plots below it. Note: when viewed with typical PDF viewing software, zooming into radiation patterns is possible to reveal fine detail.



## 862 MHZ TO 876 MHZ (868 MHZ)

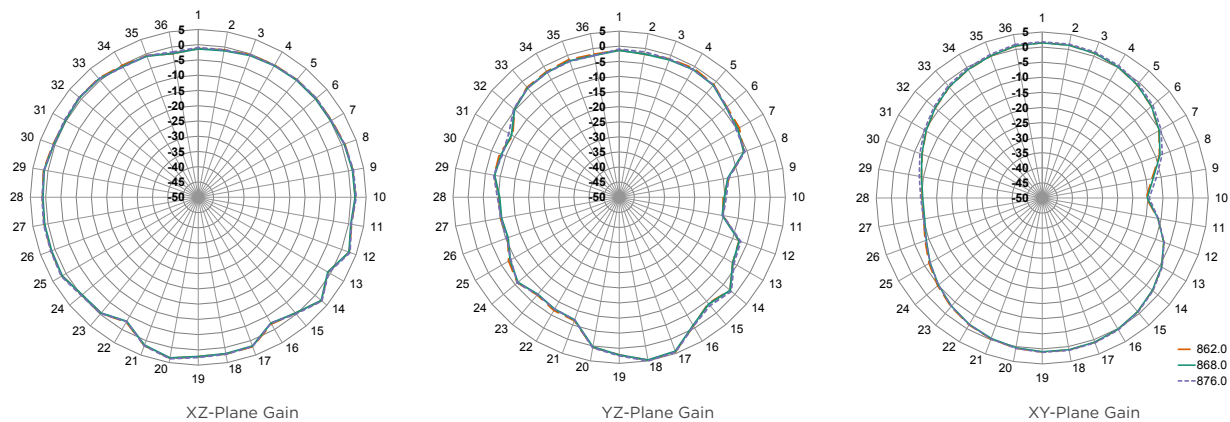


Figure 8. ANT-868-HE Series Radiation Patterns

## GROUND PLANE

1/4-Wave monopole antennas require an associated ground plane counterpoise for proper operation. The size and location of the ground plane relative to the antenna will affect the overall performance of the antenna in the final design. When used in conjunction with a ground plane smaller than that used to tune the antenna, the center frequency typically will shift higher in frequency and the bandwidth will decrease. The proximity of other circuit elements and packaging near the antenna will also affect the final performance.

For further discussion and guidance on the importance of the ground plane counterpoise, please refer to Linx Application Note, AN-00501: Understanding Antenna Specifications and Operation.

## RECOMMENDED LAYOUT

The recommended printed circuit board (PCB) layout for the 868-HE series antenna is shown in Figure 9. Contact Linx for availability of PCB layout design files.

The recommended layout includes a matching network, ground plane and PCB transmission line from the antenna to the matching network, and to the connector or radio circuitry.

Linx recommends inclusion of at least a 3-element, surface mount pi matching network of two parallel capacitors, (X1, X3) and one serial inductor, (X2) in all designs (Figure 9). Surface mount components should be 0603 size. 0402 size components are also supported. The 868-HE series antenna, as designed, does not require matching, but matching may improve end-product antenna performance depending on the effects of the enclosure, PCB and other electronic components. If no matching is necessary, the serial element may be populated with a zero-ohm resistor and no components in the two capacitor positions. Linx believes in wireless made simple® and offers matching network design support.

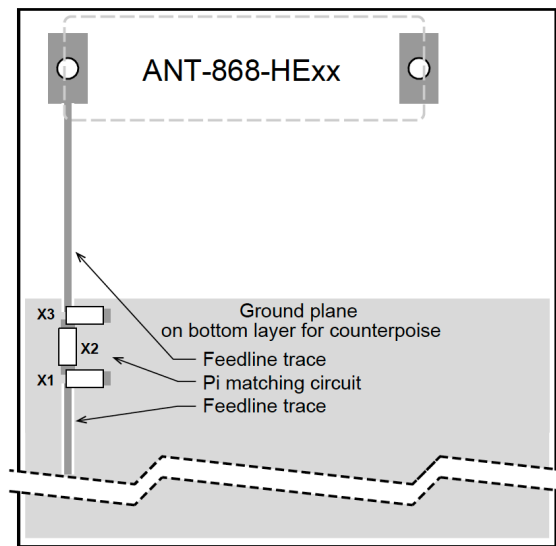


Figure 9. 868-HE Series Antenna Recommended Layout.

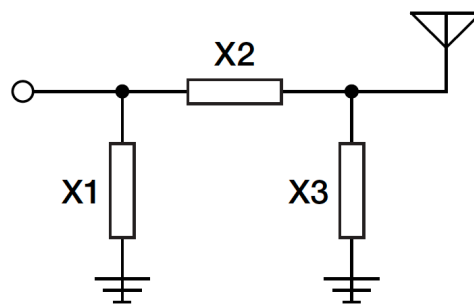


Figure 10. Matching Network Recommendation

## RECOMMENDED PCB FOOTPRINT

Figure 11 shows the recommended printed circuit board footprint and spacing for the 868-HE series antenna. The footprint recommendation should be used in conjunction with the recommended layout configuration shown in Figure 9.

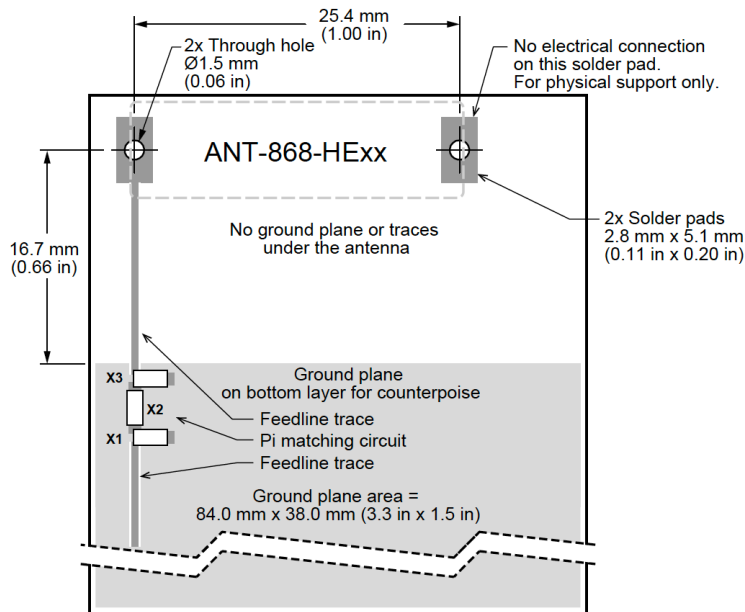


Figure 11. 868-HE Series Antenna Placement on PCB.

## TRANSMISSION LINES FOR EMBEDDED ANTENNAS

For most designs, Linx recommends a microstrip transmission line for the 868-HE series antenna. A microstrip transmission line is a PCB trace that runs over a ground plane to maintain the characteristic impedance for optimal signal transfer between the antenna and radio circuitry. Linx designs all antennas with a characteristic impedance of 50  $\Omega$ .

Important practices to observe when designing a transmission line are:

- Keep all transmission lines to a minimum length for best signal performance
- Use RF components that also operate at a 50  $\Omega$  impedance
- If the radio is not on the same PCB as the antenna, the microstrip should be terminated in a connector, enabling a shielded cable to complete the antenna connection to the radio
- For designs subject to significant electromagnetic interference, a coplanar waveguide transmission line may be used on the PCB

The design of a PCB transmission line can be aided by many commercially available software packages which can calculate the correct transmission line width and gap dimensions based upon the PCB thickness and dielectric constant used. Linx offers PCB design reviews to help optimize solution performance.

## REFLOW SOLDER PROFILE

The HE series antennas use a typical RoHS solder reflow profile. Refer to application note AN-00504 on the Linx website for more information

---

## ANTENNA DEFINITIONS AND USEFUL FORMULAS

VSWR - Voltage Standing Wave Ratio. VSWR is a unitless ratio that describes the power reflected from the antenna back to the radio. A lower VSWR value indicates better antenna performance at a given frequency. VSWR is easily derived from Return Loss.

$$VSWR = \frac{10^{\left[\frac{\text{Return Loss}}{20}\right]} + 1}{10^{\left[\frac{\text{Return Loss}}{20}\right]} - 1}$$

Return Loss - Return loss represents the loss in power at the antenna due to reflected signals, measured in decibels. A lower return loss value indicates better antenna performance at a given frequency. Return Loss is easily derived from VSWR.

$$\text{Return Loss} = -20 \log_{10} \left[ \frac{VSWR - 1}{VSWR + 1} \right]$$

Efficiency ( $\eta$ ) - The total power radiated from an antenna divided by the input power at the feed point of the antenna as a percentage.

Total Radiated Efficiency - (TRE) The total efficiency of an antenna solution comprising the radiation efficiency of the antenna and the transmitted (forward) efficiency from the transmitter.

$$TRE = \eta \cdot \left( 1 - \left( \frac{VSWR - 1}{VSWR + 1} \right)^2 \right)$$

Gain - The ratio of an antenna's efficiency in a given direction (G) to the power produced by a theoretical lossless (100% efficient) isotropic antenna. The gain of an antenna is almost always expressed in decibels.

$$G_{db} = 10 \log_{10}(G)$$

$$G_{dBd} = G_{dBi} - 2.51dB$$

Peak Gain - The highest antenna gain across all directions for a given frequency range. A directional antenna will have a very high peak gain compared to average gain.

Average Gain - The average gain across all directions for a given frequency range.

Maximum Power - The maximum signal power which may be applied to an antenna feed point, typically measured in watts (W).

Reflected Power - A portion of the forward power reflected back toward the amplifier due to a mismatch at the antenna port.

$$\left( \frac{VSWR - 1}{VSWR + 1} \right)^2$$

decibel (dB) - A logarithmic unit of measure of the power of an electrical signal.

decibel isotropic (dBi) - A comparative measure in decibels between an antenna under test and an isotropic radiator.

decibel relative to a dipole (dBd) - A comparative measure in decibels between an antenna under test and an ideal half-wave dipole.

Dipole - An ideal dipole comprises a straight electrical conductor measuring 1/2 wavelength from end to end connected at the center to a feed point for the radio.

Isotropic Radiator - A theoretical antenna which radiates energy equally in all directions as a perfect sphere.

Omnidirectional - Term describing an antenna radiation pattern that is uniform in all directions. An isotropic antenna is the theoretical perfect omnidirectional antenna. An ideal dipole antenna has a donut-shaped radiation pattern and other practical antenna implementations will have less perfect but generally omnidirectional radiation patterns which are typically plotted on three axes.

---

## TE TECHNICAL SUPPORT CENTER

USA:	+1 (800) 522-6752
Canada:	+1 (905) 475-6222
Mexico:	+52 (0) 55-1106-0800
Latin/S. America:	+54 (0) 11-4733-2200
Germany:	+49 (0) 6251-133-1999
UK:	+44 (0) 800-267666
France:	+33 (0) 1-3420-8686
Netherlands:	+31 (0) 73-6246-999
China:	+86 (0) 400-820-6015

## te.com

TE Connectivity, TE, TE connectivity (logo), Linx and Linx Technologies are trademarks owned or licensed by the TE Connectivity Ltd. family of companies. All other logos, products and/or company names referred to herein might be trademarks of their respective owners.

The information given herein, including drawings, illustrations and schematics which are intended for illustration purposes only, is believed to be reliable. However, TE Connectivity makes no warranties as to its accuracy or completeness and disclaims any liability in connection with its use. TE Connectivity's obligations shall only be as set forth in TE Connectivity's Standard Terms and Conditions of Sale for this product and in no case will TE Connectivity be liable for any incidental, indirect or consequential damages arising out of the sale, resale, use or misuse of the product. Users of TE Connectivity products should make their own evaluation to determine the suitability of each such product for the specific application.

TE Connectivity warrants to the original end user customer of its products that its products are free from defects in material and workmanship. Subject to conditions and limitations TE Connectivity will, at its option, either repair or replace any part of its products that prove defective because of improper workmanship or materials. This limited warranty is in force for the useful lifetime of the original end product into which the TE Connectivity product is installed. Useful lifetime of the original end product may vary but is not warranted to exceed one (1) year from the original date of the end product purchase.

©2022 TE Connectivity. All Rights Reserved.

09/22 Original