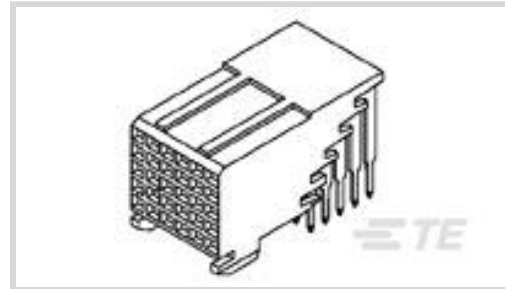




Connectors > PCB Connectors > Board-to-Board Connectors > Board-to-Board Headers & Receptacles



PCB Connector Assembly Type: **PCB Mount Receptacle**

PCB Mount Orientation: **Right Angle**

Connector System: **Board-to-Board**

Number of Positions: **60**

Centerline (Pitch): **2 mm [ .079 in ]**

## Features

### Product Type Features

Series	Signal
PCB Connector Assembly Type	PCB Mount Receptacle
Connector System	Board-to-Board
Sealable	No
Connector & Contact Terminates To	Printed Circuit Board

### Configuration Features

Sequencing	No
Number of Rows	5
Number of Signal Positions	60
PCB Mount Orientation	Right Angle
Number of Positions	60
Board-to-Board Configuration	Right Angle

### Electrical Characteristics

Insulation Resistance	5 MΩ
Operating Voltage	30 VAC
Impedance	60 Ω

### Contact Features

Contact Layout	Matrix
PCB Contact Termination Area Plating Material Thickness	3.81 μm[150 μin]



Contact Configuration	Signal
PCB Contact Termination Area Plating Material	Tin-Lead
Contact Base Material	Phosphor Bronze
Contact Mating Area Plating Material	Gold
Contact Mating Area Plating Material Thickness	.76 $\mu\text{m}$ [30 $\mu\text{in}$ ]
Contact Type	Socket
Contact Current Rating (Max)	3 A, 4.5 A

### Termination Features

Termination Post & Tail Length	2.73 mm[.107 in]
Termination Method to Printed Circuit Board	Through Hole

### Mechanical Attachment

PCB Mount Alignment Type	Locating Posts
Mating Alignment	With
Mating Alignment Type	Polarization
PCB Mount Retention	Without
PCB Mount Alignment	With
Connector Mounting Type	Board Mount

### Housing Features

Centerline (Pitch)	2 mm[.079 in]
Housing Color	Natural
Housing Material	LCP (Liquid Crystal Polymer)

### Dimensions

Connector Height	11.3 mm
PCB Thickness (Recommended)	1.3 mm[.76 in]

### Usage Conditions

Operating Temperature Range	-55 – 125 $^{\circ}\text{C}$ [-67 – 257 $^{\circ}\text{F}$ ]
-----------------------------	--

### Operation/Application

Circuit Application	Signal
---------------------	--------

### Industry Standards

UL Flammability Rating	UL 94V-0
------------------------	----------

### Packaging Features

Packaging Quantity	24
--------------------	----

Packaging Method

Tube

## Product Compliance

[For compliance documentation, visit the product page on TE.com>](#)

EU RoHS Directive 2011/65/EU

Not Compliant

EU ELV Directive 2000/53/EC

Not Compliant

China RoHS 2 Directive MIIT Order No 32, 2016

Restricted Materials Above Threshold

EU REACH Regulation (EC) No. 1907/2006

Current ECHA Candidate List: JAN 2019 (197)  
Candidate List Declared Against: JAN 2019 (197)

Halogen Content

Low Halogen - Br, Cl, F, I < 900 ppm per homogenous material. Also BFR/CFR/PVC Free

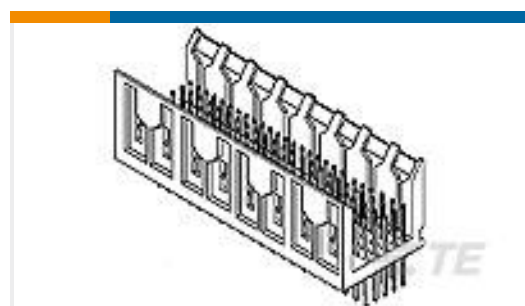
Solder Process Capability

Pin-in-Paste capable to 260°C

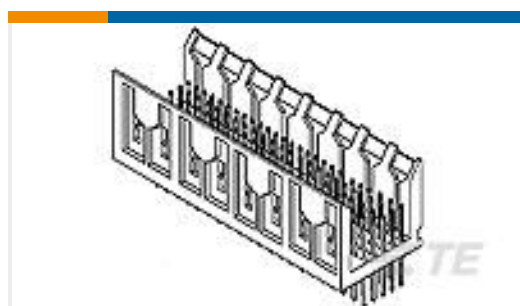
### Product Compliance Disclaimer

This information is provided based on reasonable inquiry of our suppliers and represents our current actual knowledge based on the information they provided. This information is subject to change. The part numbers that TE has identified as EU RoHS compliant have a maximum concentration of 0.1% by weight in homogenous materials for lead, hexavalent chromium, mercury, PBB, PBDE, DBP, BBP, DEHP, DIBP, and 0.01% for cadmium, or qualify for an exemption to these limits as defined in the Annexes of Directive 2011/65/EU (RoHS2). Finished electrical and electronic equipment products will be CE marked as required by Directive 2011/65/EU. Components may not be CE marked. Additionally, the part numbers that TE has identified as EU ELV compliant have a maximum concentration of 0.1% by weight in homogenous materials for lead, hexavalent chromium, and mercury, and 0.01% for cadmium, or qualify for an exemption to these limits as defined in the Annexes of Directive 2000/53/EC (ELV). Regarding the REACH Regulations, TE's information on SVHC in articles for this part number is still based on the European Chemical Agency (ECHA) 'Guidance on requirements for substances in articles' (Version: 2, April 2011), applying the 0.1% weight on weight concentration threshold at the finished product level. TE is aware of the European Court of Justice ruling of September 10th, 2015 also known as O5A (Once An Article Always An Article) stating that, in case of 'complex object', the threshold for a SVHC must be applied to both the product as a whole and simultaneously to each of the articles forming part of its composition. TE has evaluated this ruling based on the new ECHA "Guidance on requirements for substances in articles" (June 2017, version 4.0) and will be updating its statements accordingly.

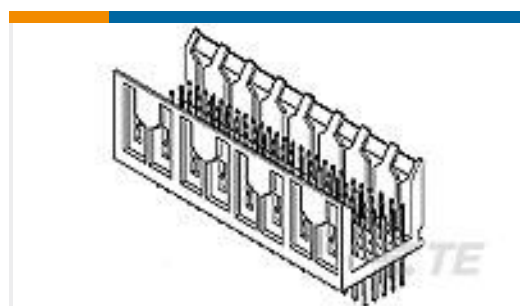
## Compatible Parts



TE Part # 5223016-2  
FB-5R,ASY,060,SIG,HDR,  
EN,4.25



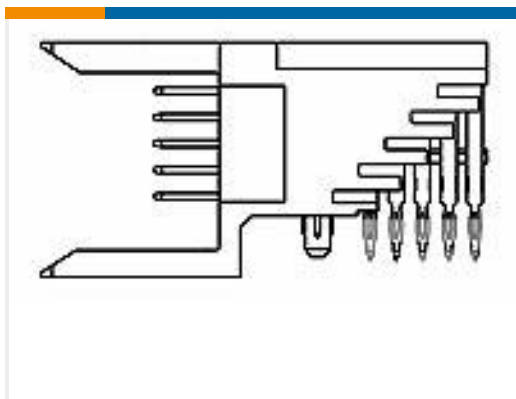
TE Part # 5223011-2  
FB-5R,ASY,060,SIG,HDR,  
SL,4.25



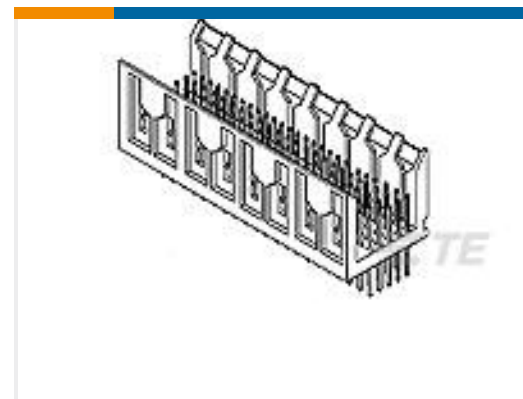
TE Part # 5223010-2  
FB-FR,ASY,060,SIG,HDR,  
SL,4.25



TE Part # 5223002-2  
FB-5R,ASY,060,SIG,HDR,  
EN,4.25




TE Part # 5223524-2  
2MMFB,5R,ASY,060,SIG,  
HDR,EN



TE Part # 5223000-2  
FB-5R,ASY,060,SIG,HDR,  
SL,4.25

Also in the Series | Z-PACK Future Bus+




Board-to-Board Headers &  
Receptacles(168)



Hard Metric Backplane  
Connectors(1)

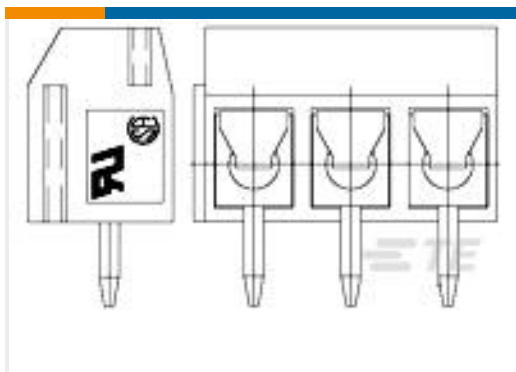


PCB Connector Shrouds(9)




Rectangular Power  
Connectors(35)

Customers Also Bought



TE Part #1776266-5  
Vert Side Wire Entry, 5.0  
mm, G



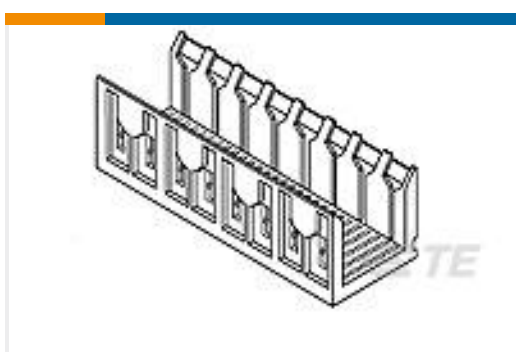
TE Part #2101924-4  
8 POS PCB MNT RF  
MODULE W/ PINS &  
MARK



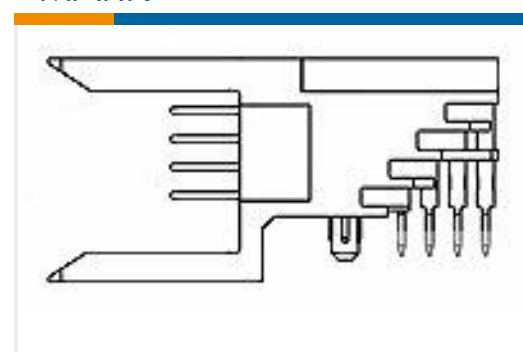
TE Part #029893-000  
214A042-4/42-0




TE Part #223007-2  
FB-5R,ASY,060,SIG,REC,SL,  
3.53



TE Part #223041-2  
FB-5R,VERTICAL SHROUD,  
060 POS



TE Part #223532-1  
2MMFB,ASY,024,SIG,HDR,  
4 ROW SL



TE Part #223971-1  
UNIV. POWER MOD. RT.  
ANG HEADER



TE Part #4-1825010-1  
ASE62GL04=6PDT  
AUTOSLIDE



TE Part #5-1542009-5  
35MM HEAT SINK  
ASSEMBLY (.008" LIP)



TE Part #6450870-4  
MBXLE R/A RCPT  
3P+24S+3P



## Documents

### Product Drawings

[FB-5R,ASY,060,SIG,REC,SL,2.73](#)

English

---

### Product Specifications

[Application Specification](#)

English

---

### Product Environmental Compliance

[REACH Substance Communication Document](#)

English