

| | | | | | |
|-------------|-----------------|--------------|--|----------------------------|--|
| REV. A | | SHEET 1 OF 2 | | DOCUMENT NO. RVPX-RP016VXX | |
| REVISIONS M | | | | | |
| LTR | DESCRIPTION | | | DATE | |
| A | INITIAL RELEASE | | | 24-JUN-16 | |

DOCUMENT NO. RVPX-RP016VXX

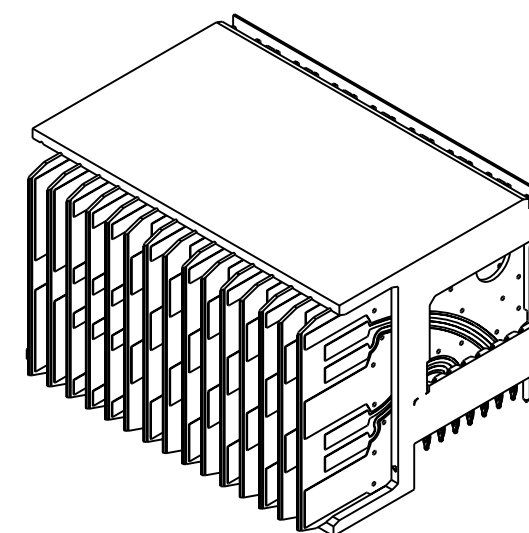
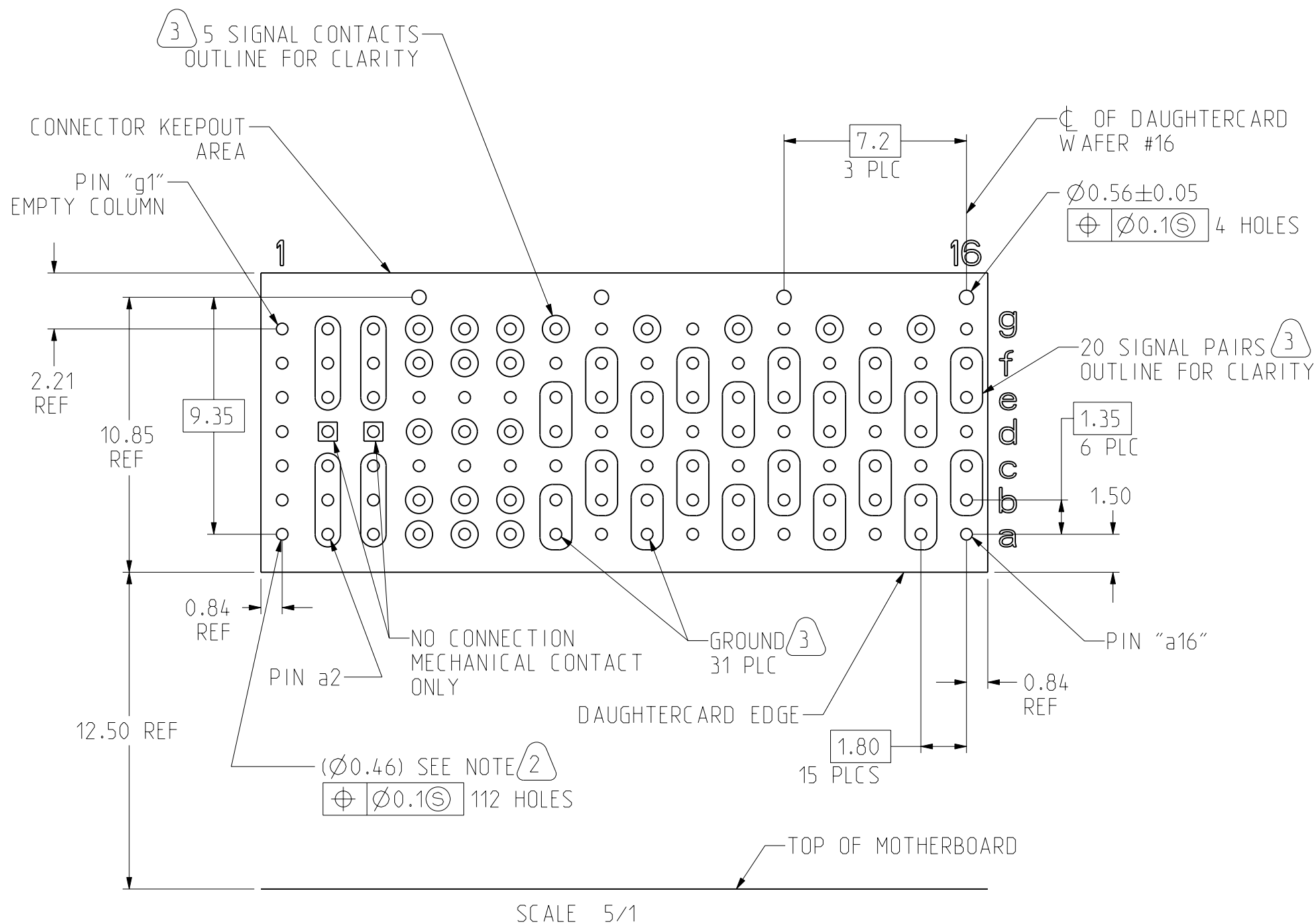
SHEET 1 OF 2

REV. A

C

B

A



SCALE 2/1

TABLE 1
INTERCONNECTIONS WITH BACKPLANE
CONNECTOR RVPX-RJ0116MXX OR
RVPX-RJ1216MXX

| TYPICAL INTERCONNECTIONS FOR COLUMN (WAFER): 2, 3 | | |
|---------------------------------------------------|----------------------------|-------------------------|
| CONTACT USAGE | DAUGHTERCARD CONNECTOR PIN | BACKPLANE CONNECTOR PIN |
| POWER | ax, bx, cx | ax, bx, cx, dx |
| POWER | ex, fx, gx | fx, gx, hx, ix |
| NOT CONNECTED | dx | ex |

| TYPICAL INTERCONNECTIONS FOR COLUMN (WAFER): 4, 5, 6 | | |
|------------------------------------------------------|----------------------------|-------------------------|
| CONTACT USAGE | DAUGHTERCARD CONNECTOR PIN | BACKPLANE CONNECTOR PIN |
| SIGNAL | ax | bx |
| SIGNAL | bx | cx |
| SIGNAL | dx | ex |
| SIGNAL | fx | gx |
| SIGNAL | gx | hx |
| GROUND | cx, ex, (ALL COMMONED) | ax, dx, fx, ix |

| TYPICAL INTERCONNECTIONS FOR EACH ODD-NUMBERED COLUMN (WAFER): 7, 9, 11, 13, 15 | | |
|---------------------------------------------------------------------------------|----------------------------|-------------------------|
| CONTACT USAGE | DAUGHTERCARD CONNECTOR PIN | BACKPLANE CONNECTOR PIN |
| SIGNAL PAIR | ax | ax |
| | bx | bx |
| SIGNAL PAIR | dx | ex |
| | ex | fx |
| SIGNAL | gx | ix |
| GROUND | cx, fx, (ALL COMMONED) | cx, dx, gx, hx |

| TYPICAL INTERCONNECTIONS FOR EACH EVEN-NUMBERED COLUMN (WAFER): 8, 10, 12, 14, 16 | | |
|-----------------------------------------------------------------------------------|----------------------------|-------------------------|
| CONTACT USAGE | DAUGHTERCARD CONNECTOR PIN | BACKPLANE CONNECTOR PIN |
| SIGNAL PAIR | bx | cx |
| | cx | dx |
| SIGNAL PAIR | ex | gx |
| | fx | hx |
| GROUND | ax, dx, gx (ALL COMMONED) | ax, bx, ex, fx, ix |

NOTE: "x" DESIGNATES THE COLUMN NUMBER

| PLATING THICKNESS AND MATERIAL BY PART NUMBER | | | |
|-----------------------------------------------|----------------------|------------------------|----------------|
| PART NUMBER | GOLD IN CONTACT AREA | COMPLIANT | NICKEL OVERALL |
| RVPX-RP016VM1 | 50 µ-INCH MIN | 50 µ-INCH MIN TIN | 50 µ-INCH MIN |
| RVPX-RP016VM2 | 50 µ-INCH MIN | 50 µ-INCH MIN TIN-LEAD | 50 µ-INCH MIN |
| RVPX-RP016VC1 | 30 µ-INCH MIN | 50 µ-INCH MIN TIN | 50 µ-INCH MIN |
| RVPX-RP016VC2 | 30 µ-INCH MIN | 50 µ-INCH MIN TIN-LEAD | 50 µ-INCH MIN |

- 4 SEE TABLE 2 FOR PART NUMBER AND FINISHES
- 3 SEE TABLE 1 FOR INTERCONNECTIONS TO BACKPLANE CONNECTOR
- 2 PTH CALLOUT TYPICAL HOLE
Ø0.53-0.57 DRILL
Ø0.46 ±.05 FINISH HOLE
Ø0.92 PAD
- 1 HOUSING: GLASS FILLED LCP, UL94 - V0
CONTACT: CU ALLOY
POST: STAINLESS STEEL, PASSIVATED

NOTES:

THIS DOCUMENT CONTAINS PROPRIETARY INFORMATION AND SUCH INFORMATION MAY NOT BE DISCLOSED TO OTHERS FOR ANY PURPOSE OR USED FOR MANUFACTURING PURPOSES WITHOUT WRITTEN PERMISSION FROM THE AMPHENOL CORP.

NONE
NEXT ASSEMBLY

PRO/ENGINEER INFORMATION
Pro/e Model Used:
RVPX-RP016VXX.PART
Drawing Name:
RVPX-RP016VXX

| UNLESS OTHERWISE SPECIFIED | SPECIFICATIONS | POS | QTY | PART NUMBER | DESCRIPTION | NOTE |
|---------------------------------------------------------------------------------------------------------------------------------------------------------------------------------------------------------------------------------------------------------------------------------|--------------------|-----------------------|--------------|-------------|--------------------------------------------------------------------------------------------------------------------------------------------------------------------------------------------|---------------|
| LINEAR DIMENSIONS ARE IN MILLIMETERS TOLERANCES: .XXXX = ±. - ANGLES= ±1° .XXX = ±. - .XX = ±.13 .X = ±.5 DIM. & TOL. PER ASME Y14.5M; DRM PER MIL-DTL-31000; OTHER Amphenol Stds. PER 9-3800 LEGENDS: =FLAG NOTE CALL OUT REFERENCE ONLY | MATERIAL SPEC. | APPROVALS | | DATE | PARTS LIST | |
| | N/A | PREPARED BY | S. LANGELIER | 24-JUN-16 | AMPHENOL CORPORATION 40-60 DELAWARE AVENUE SIDNEY, NY 13858 RIGHT-ANGLE PLUG ASSEMBLY, CENTER, RVPX DAUGHTERCARD CONNECTOR, COMBO | |
| PROCESS SPEC. | 9-3895 9-3856-5 | ENGINEER IN CHARGE | S. LANGELIER | | SIZE | C |
| | | DESIGN MANAGER | E. HICKEY | | CAGE CODE | 77820 |
| | | DESIGN ACTIVITY GROUP | BOARD LEVEL | | DOCUMENT NO. | RVPX-RP016VXX |
| | | | | | REV. | A |
| | | | | | SCALE: 5.0 | RVPXP16DXX |
| | | | | | | SHEET 1 OF 2 |

FORMAT: C-L-E-I

DOCUMENT NO. RVPX-RP016VXX

SHEET 1 OF 2

REV. A

VERSION 0

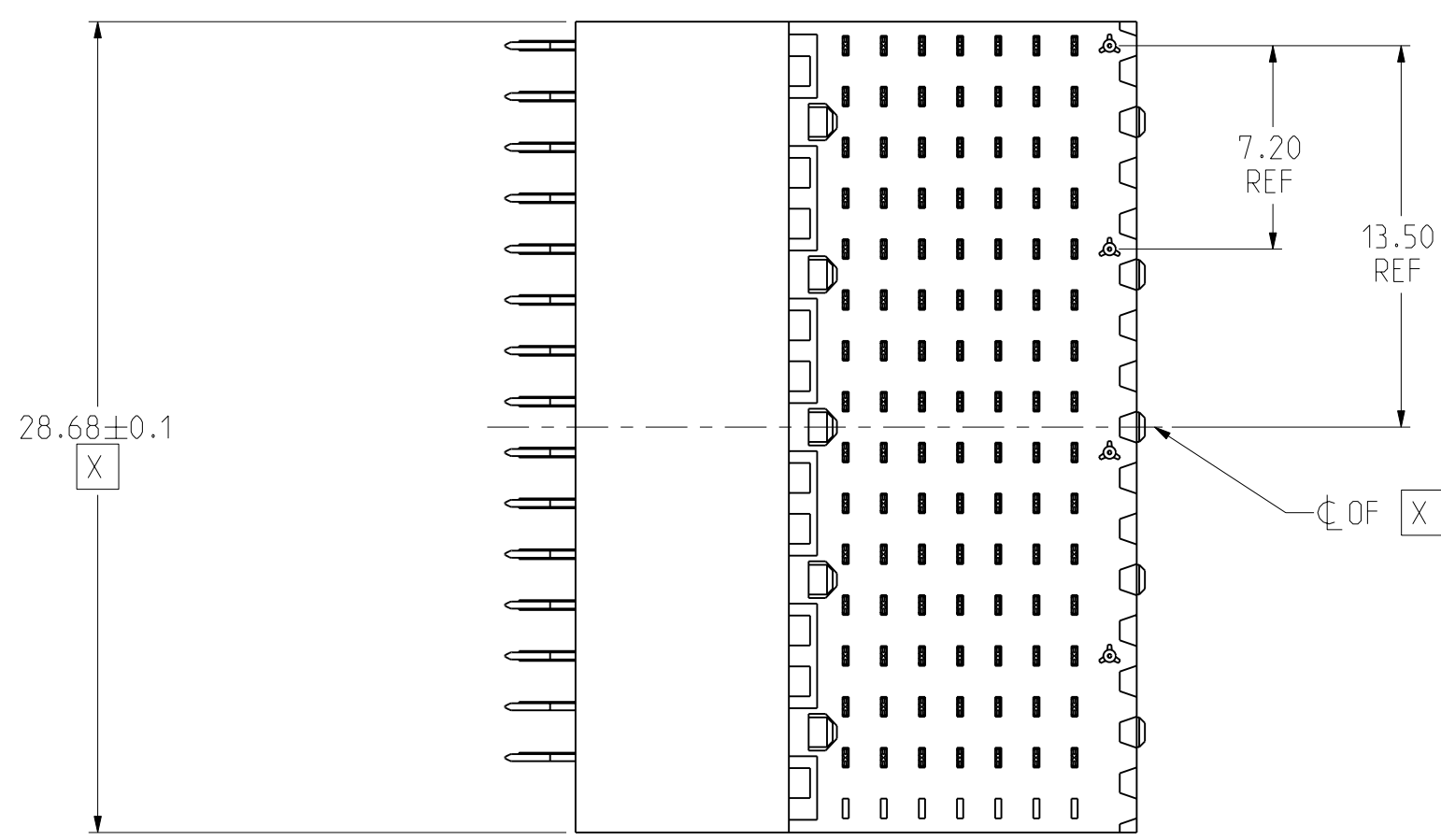
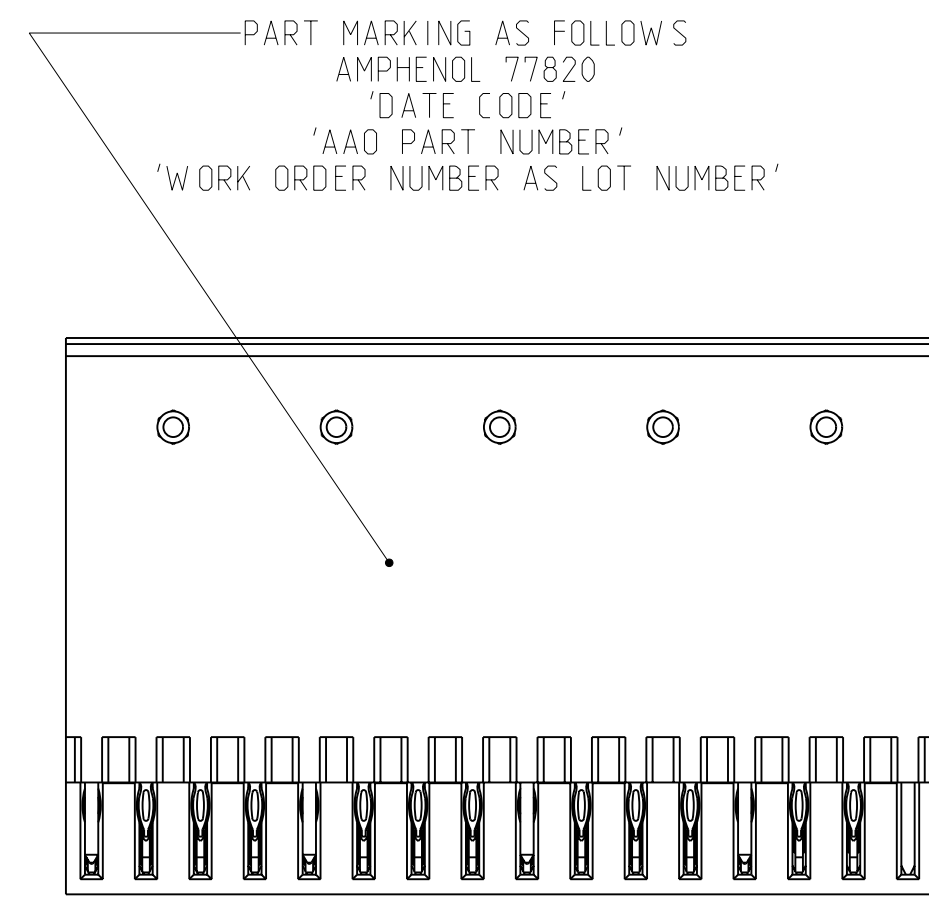
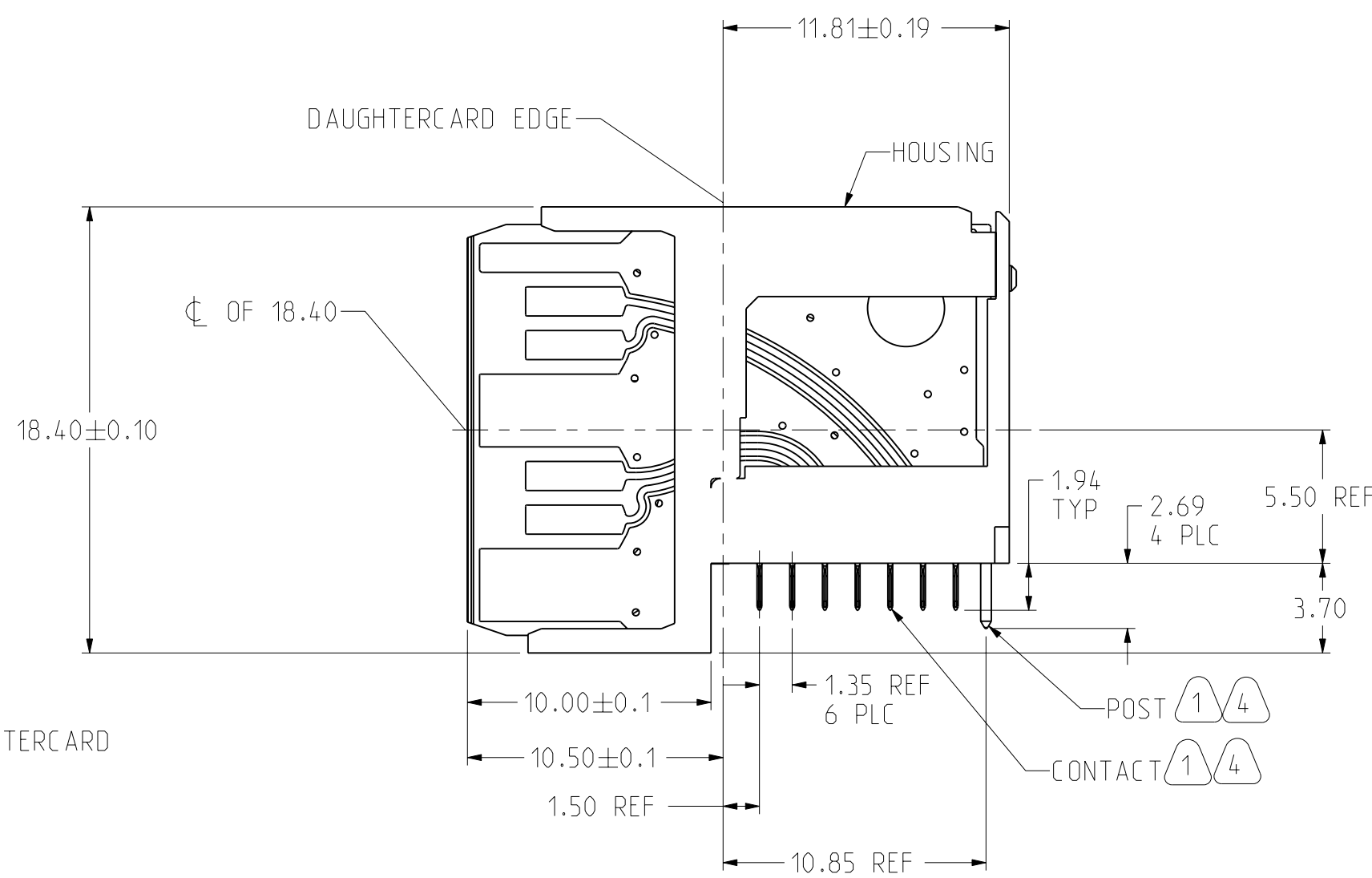
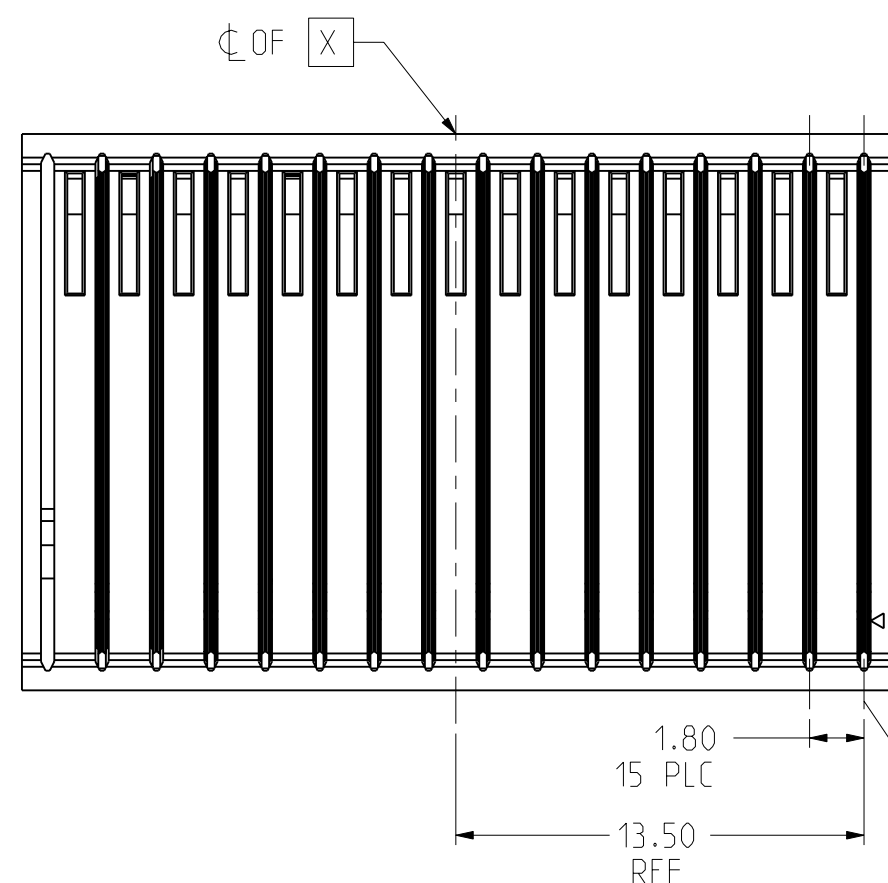
REVISION A

Eng PDM Information For Reference Only

REV. A

SHEET 1 OF 2

DOCUMENT NO. RVPX-RP016VXX



NOTES:

THIS DOCUMENT CONTAINS PROPRIETARY INFORMATION AND SUCH INFORMATION MAY NOT BE DISCLOSED TO OTHERS FOR ANY PURPOSE OR USED FOR MANUFACTURING PURPOSES WITHOUT WRITTEN PERMISSION FROM THE AMPHENOL CORP.

RELEASED / Jan . 09 2018, 10:39:38 AM

| | | | |
|------------------|---------------------------|--------------------------------------|------------------|
| SIZE C | CAGE CODE 77820 | DOCUMENT NO. RVPX-RP016VXX | REV. A |
| SCALE: 4.0 | | REF: RVPXP16DXX | SHEET 2 OF 2 |