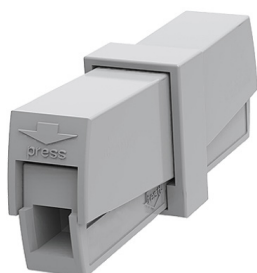


Pluggable Terminal Block multicomp^{PRO}

RoHS
Compliant



Specification

Connection capacity

Conductor cross section solid	: 0.2 to 2.5mm ²
Conductor cross section flexible	: 0.2 to 2.5mm ²
AWG	: 22 to 12AWG
Strip length	: 10mm

Electrical parameters UL

Rated voltage (B)	: 300V
Rated voltage (D)	: 300V
Rated current (B)	: 22A
Rated current (D)	: 10A

Electrical parameters IEC

Rated current	: 450V 24A
Rated voltage(III/2)	: 450V
Rated power frequency voltage(1min)	: 2.5KV

Item properties

Connection method	: Push-in spring connection
Pitch	: 8mm
Number of potentials	: 1
Pluggable or not	: no
Number of rows	: 1

Material data

Contact material	: copper
Contact point metal surface	: Tin-plated
Insulation Materials	: PA66
Insulating material group	: I
Flammability rating	: UL94V-0

Mechanical tests

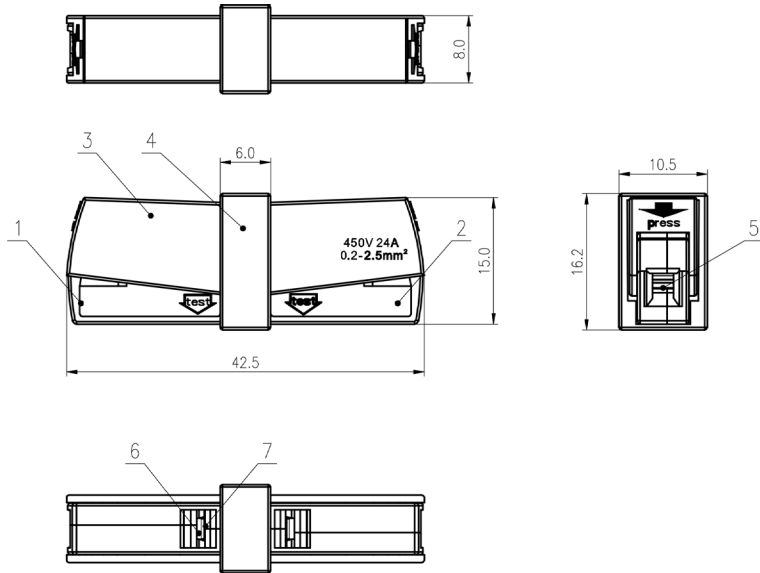
Test Specification	: UL1059/IEC60998
--------------------	-------------------

Environmental data

Ambient temperature (operation)	: -40°C to 85°C (depending on derating curve)
---------------------------------	---

Pluggable Terminal Block multicomp^{PRO}

Diagram



Item	Name of Part	Material	Notes
1	Housing 1	PA66	UL94V-0
2	Housing 2		
3	Cover		
4	Housing Middle		
5	Spring	Stainless Steel	/
6	Current Carrier	Copper	Sn Plated
7			

Part Number Table

Description	Part Number
Pluggable Terminal Block, 1 Pole	MP015250

Dimensions : Millimetres

Important Notice : This data sheet and its contents (the "Information") belong to the members of the AVNET group of companies (the "Group") or are licensed to it. No licence is granted for the use of it other than for information purposes in connection with the products to which it relates. No licence of any intellectual property rights is granted. The Information is subject to change without notice and replaces all data sheets previously supplied. The Information supplied is believed to be accurate but the Group assumes no responsibility for its accuracy or completeness, any error in or omission from it or for any use made of it. Users of this data sheet should check for themselves the Information and the suitability of the products for their purpose and not make any assumptions based on information included or omitted. Liability for loss or damage resulting from any reliance on the Information or use of it (including liability resulting from negligence or where the Group was aware of the possibility of such loss or damage arising) is excluded. This will not operate to limit or restrict the Group's liability for death or personal injury resulting from its negligence. Multicomp Pro is the registered trademark of Premier Farnell Limited 2019.

Newark.com/multicomp-pro
 Farnell.com/multicomp-pro
 sg.element14.com/b/multicomp-pro

multicomp^{PRO}