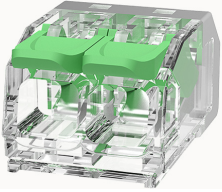
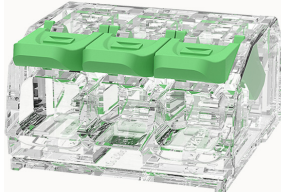


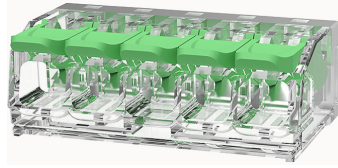
# Pluggable Terminal Block multicomp<sup>PRO</sup>



MP015244



MP015245



MP015246

**RoHS  
Compliant**

## Specification

### Connection capacity

Conductor cross section solid	: 0.2 to 4mm <sup>2</sup>
Conductor cross section flexible	: 0.2 to 4.0mm <sup>2</sup>
AWG	: 24 to 12AWG
Strip length	: 12mm

### Electrical parameters UL

Rated voltage (B)	: 600V
-------------------	--------

### Electrical parameters IEC

Rated current	: 450V 32A
Rated voltage(III/2)	: 450V

### Item properties

Connection method	: Push-in spring connection
Pitch	: 5.6mm
Number of potentials	: 2, 3, 5
Pluggable or not	: no
Number of rows	: 1

### Material data

Contact material	: copper
Contact point metal surface	: Tin-plated
Contact zone metal surface	: Tin-plated
Insulation Materials	: PC
Insulating material group	: IIIa
Flammability rating	: UL94V-2

### Mechanical tests

Test Specification	: UL1059/IEC60998
--------------------	-------------------

### Environmental data

Ambient temperature (operation)	: -40°C to 85°C (depending on derating curve)
---------------------------------	---

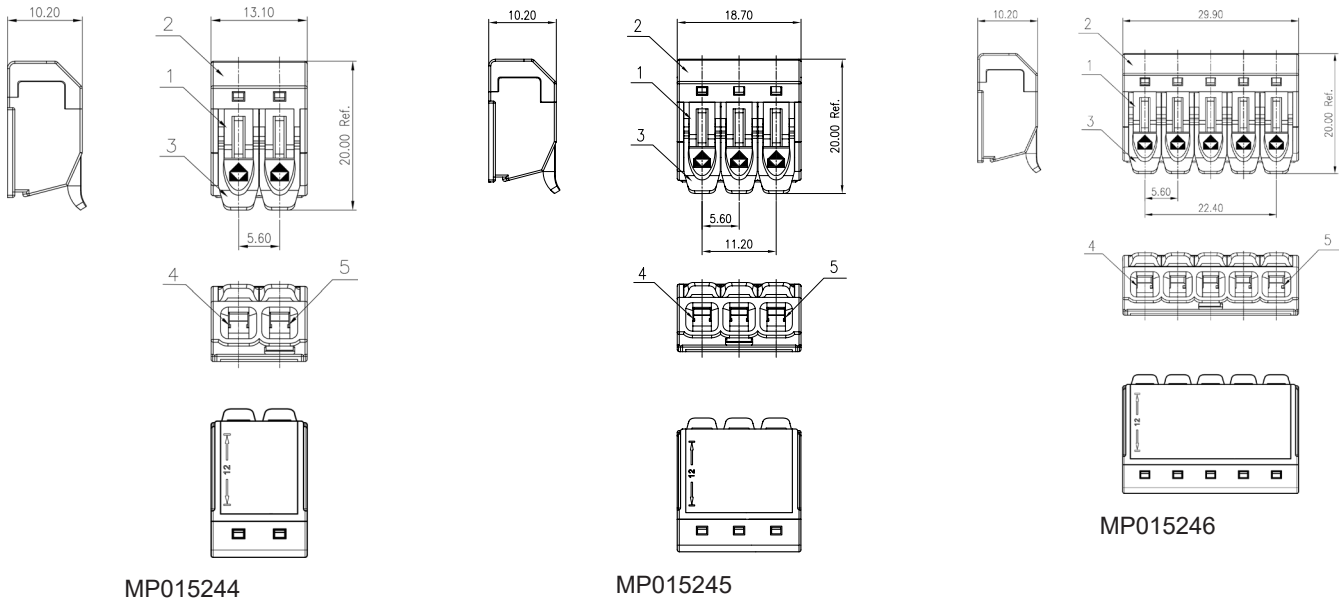
Item	Name of Part	Material	Notes
1	Housing	PC	UL94V-2
2	Cover		
3	Button	PA66+GF	UL94V-0
4	Spring	Stainless Steel	/
5	Current Carrier	Copper	Sn Plated

Newark.com/multicomp-pro  
Farnell.com/multicomp-pro  
sg.element14.com/b/multicomp-pro

**multicomp<sup>PRO</sup>**

# Pluggable Terminal Block multicomp<sup>PRO</sup>

## Diagram



## Part Number Table

Description	Part Number
Pluggable Terminal Block, 2 Pole	MP015244
Pluggable Terminal Block, 3 Pole	MP015245
Pluggable Terminal Block, 5 Pole	MP015246

Dimensions : Millimetres

**Important Notice :** This data sheet and its contents (the "Information") belong to the members of the AVNET group of companies (the "Group") or are licensed to it. No licence is granted for the use of it other than for information purposes in connection with the products to which it relates. No licence of any intellectual property rights is granted. The Information is subject to change without notice and replaces all data sheets previously supplied. The Information supplied is believed to be accurate but the Group assumes no responsibility for its accuracy or completeness, any error in or omission from it or for any use made of it. Users of this data sheet should check for themselves the Information and the suitability of the products for their purpose and not make any assumptions based on information included or omitted. Liability for loss or damage resulting from any reliance on the Information or use of it (including liability resulting from negligence or where the Group was aware of the possibility of such loss or damage arising) is excluded. This will not operate to limit or restrict the Group's liability for death or personal injury resulting from its negligence. Multicomp Pro is the registered trademark of Premier Farnell Limited 2019.

Newark.com/multicomp-pro  
 Farnell.com/multicomp-pro  
 sg.element14.com/b/multicomp-pro

**multicomp<sup>PRO</sup>**