

Extended Handle Accessories

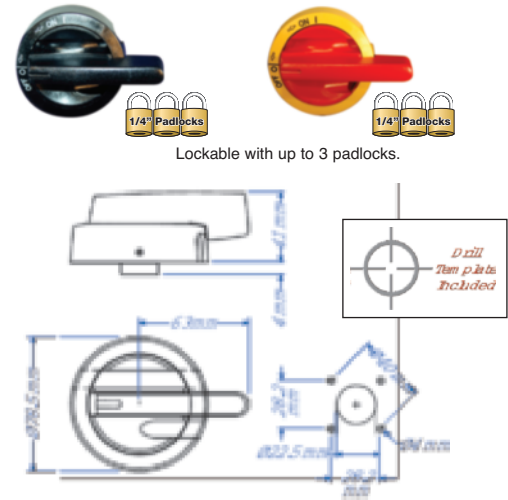
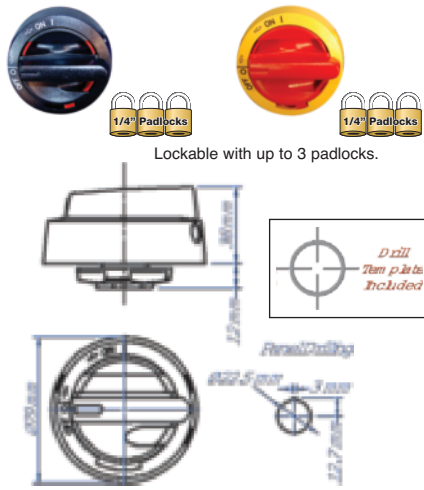


LK10

LK11

DOOR INTERLOCK HANDLES
(padlockable with up to three 1/4" padlocks)

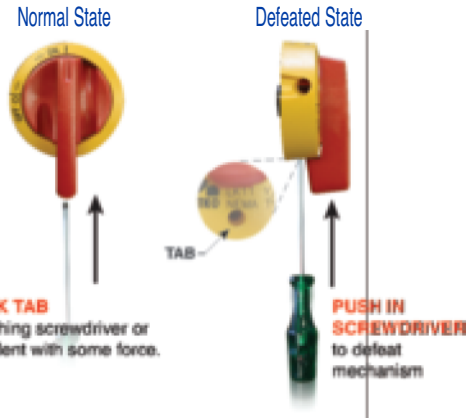
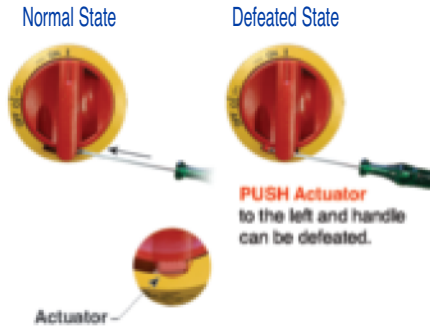
- LK10 (Y/R) UL:
 • Single hole mounting (22.5mm)
 LK11 (Y/R) U:
 • Retention mechanism (only rotates 90° from off to on, keeps handle in off position while cabinet door is open)



Cat. No.	LK10 UL	LK10 Y/R UL	LK11 U	LK11 Y/R U
Environmental Rating (UL) (IEC)	UL Type 4X IP66	UL Type 4X IP66	UL Type 4X IP67	UL Type 4X IP67
Color	Black	Yellow/Red	Black	Yellow/Red

DEFEATABLE MECHANISM - OPERATING INSTRUCTIONS

The defeater mechanism allows a screwdriver to be inserted to release the lock and open the door with the mechanism in the ON position.

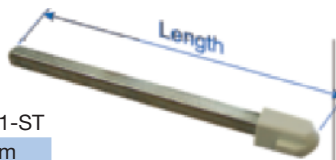


Warning: The defeater mechanism should only be used by a trained professional.

Note: After tab is broken, NEMA Type 4X rating will be lost.

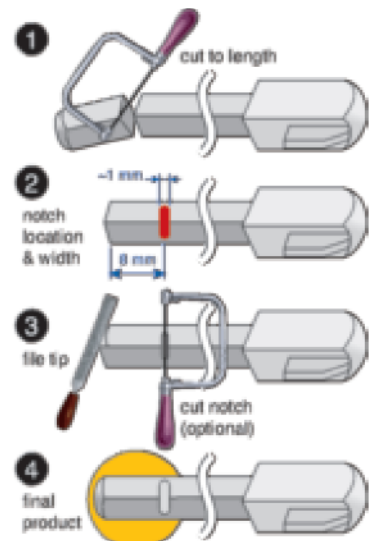
DOOR INTERLOCK SHAFT

The steel shaft ensures reliable operation even in the toughest conditions.



Cat. No.	L100 AD11-ST	L200 AD11-ST	L300AD11-ST
Length (L)	100 mm	200 mm	300 mm
Material	Steel	Steel	Steel

SHAFT CUTTING RECOMMENDATIONS



SHAFT LENGTH CUTTING GUIDELINE

