

1

2

3

4

A

A

B

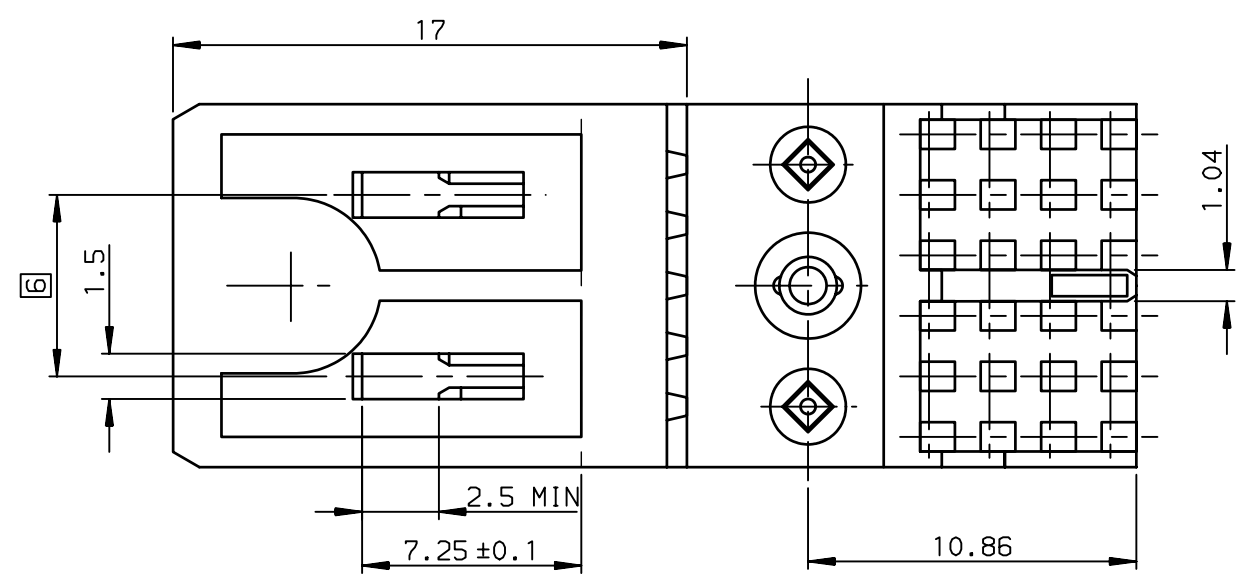
B

C

C

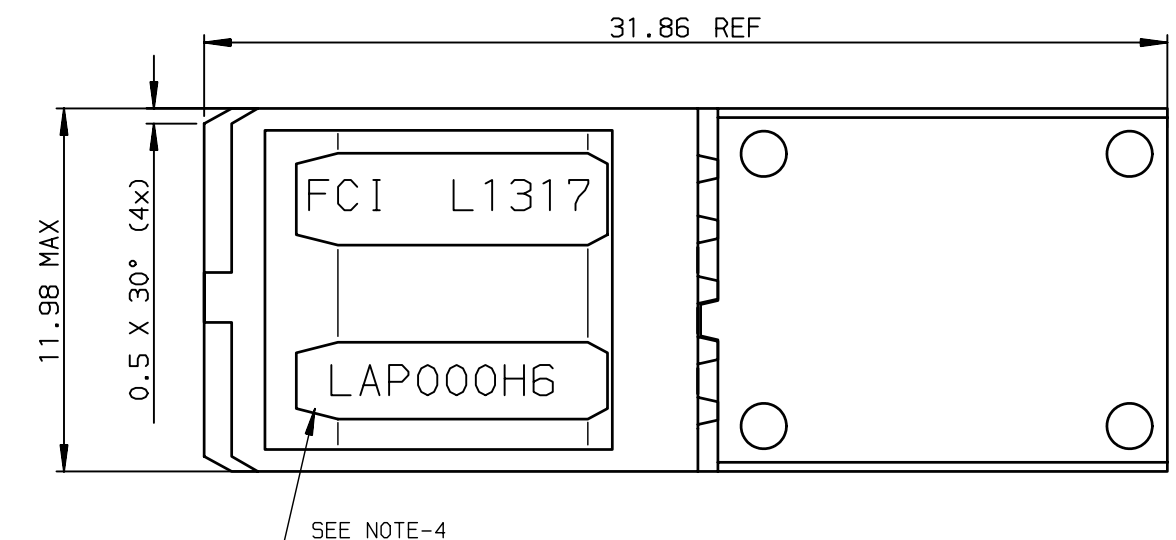
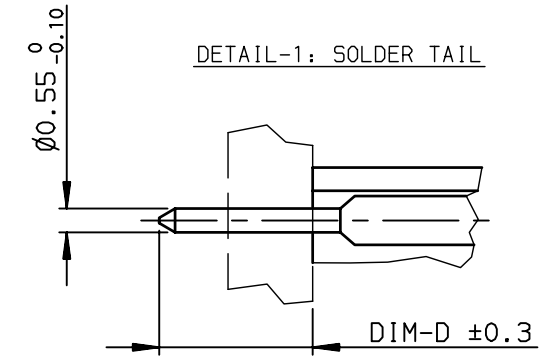
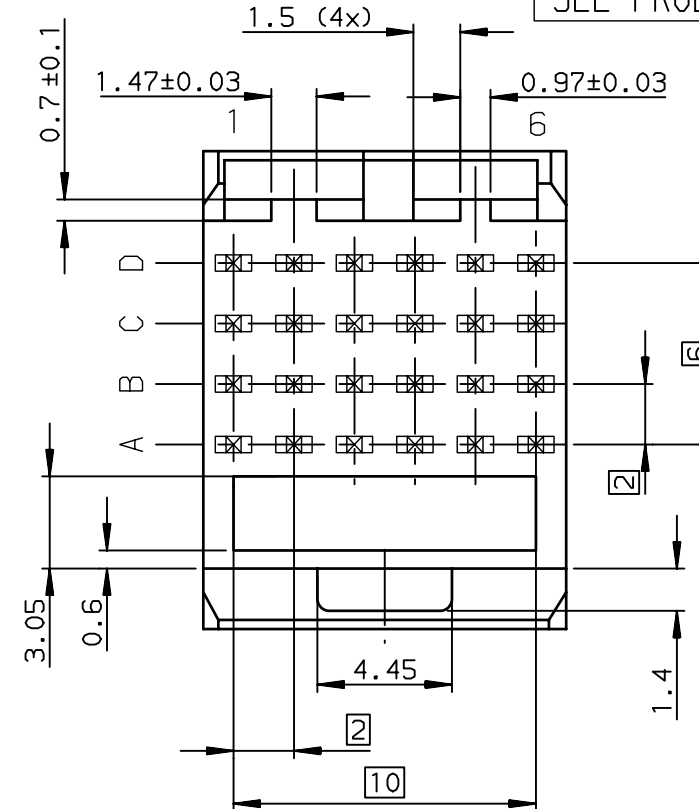
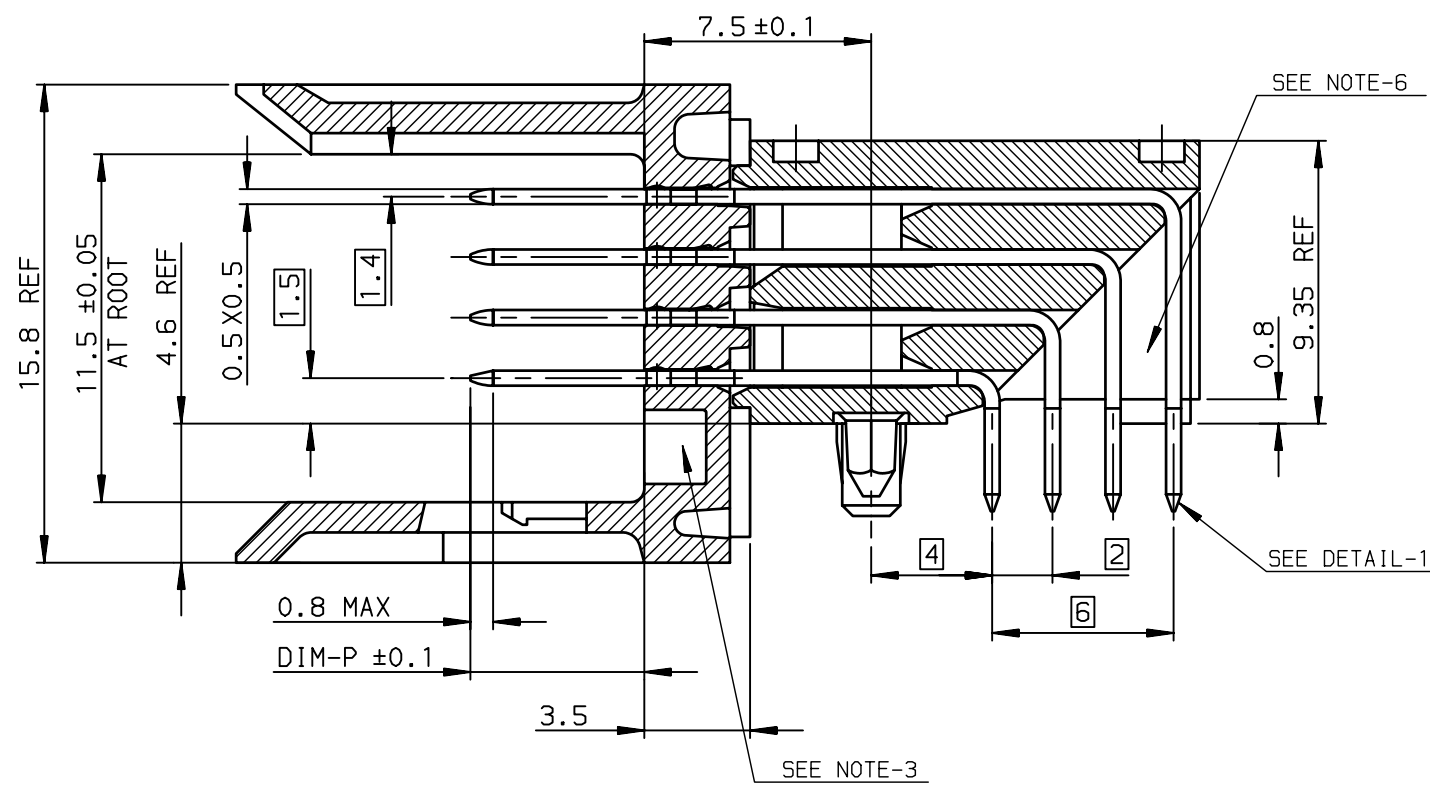
D

D



NOTE-1: NORMINATIVE REF = IEC-61076-4-104
 NOTE-2: ONE CENTER PEG FOR HOLD DOWN FORCE
 NOTE-3: CODING RECESS FOR 8MM EXTENDED KEYS
 NOTE-4: PRODUCT MARKING = PRODUCT NUMBER + BATCH CODE + FCI
 FOR 1 MODULE SIZE, END OF PART NUMBER ONLY
 NOTE-6: CENTRAL WALL WITH END REAR SUPPORT
 NOTE-7: PACKAGING IN TRAY + COVER
 IF SUFFIX "P" IS ADDED IN P/N PACKAGING IS IN TRAYS
 BUT CONNECTOR MARKING IS WITHOUT "P"
 EXAMPLE: HM1XXXXXXXXXH6P, MARKED HM1XXXXXXXXXH6

GENERAL CHARACTERISTICS AND ROHS INFORMATIONS:
 SEE PRODUCT SPECIFICATION GS-12-446



OTHERS INFORMATIONS, SEE DRW C-8626-0154-2

European Views

www.fciconnect.com		surface ISO 1302 ✓	tolerance std ISO 406 ISO 1101	projection mm
TOLERANCES UNLESS OTHERWISE SPECIFIED				
Dr	CHAMPION	1994/04/06	ANGULAR	0.X ± 0.1
Eng	LENOIR	1994/04/06	LINEAR	0.XX ± 0.1
Chr	LEGARE	1994/04/06	0.XX' ± 2'	0.XXX ± 0.1
Appr	LEGARE	1994/04/06	Product family	METRAL
size				A3
Scale				4
ECN				LS07-0184
Spec ref				-

rev	ecn no	dr	date
G	-	CHA	2003/06/26
H	LS05-001	MRA	2005/01/19
J	LS05-0056	LGO	2005/07/06
K	LS06-0097	LGO	2006/07/12
L	LS07-0184	MLE	2007/07/24
-	-	-	-
-	-	-	-

FCI METRAL RA HEADER WB CONVE
 4x6 CTS - STB - PUSH PEG
 catalog no -

dwg no C-8626-0154-1
 Rev. L

CUSTOMER sheet 1 of 2

1

2

3

4



Copyright FCI.

