



PRODUCT NUMBER
20020107-XXXXXXLF

20020107- [] [] [] [] A O [] L F

PITCH

C: 3.50 mm
D: 3.81 mm
G: 5.00 mm
H: 5.08 mm

POLES

02: 2 POLES
03: 3 POLES
04: 4 POLES
24: 24 POLES

LF : DENOTED RoHS COMPATIBLE

1 : STANDARD PRODUCT
W/ BOX PACKING

HOUSING CODE

| CODE | COLOR | AVAILABILITY |
|------|-------------------|-----------------|
| 1 | GREEN(RAL 6018/T) | STANDARD |
| 2 | BLACK | ON REQUEST ONLY |
| 3 | GREY(RAL 7004/P) | ON REQUEST ONLY |
| 4 | BLUE(RAL 5015/A) | ON REQUEST ONLY |
| 5 | YELLOW(RAL 1018) | ON REQUEST ONLY |

| PROPERTY TABLE | | | | |
|---------------------------|----------|----------|----------|----------|
| FCI SERIES NAME | 06-350 | 06-381 | 06-500 | 06-508 |
| PITCH (mm) | 3.50 | 3.81 | 5.00 | 5.08 |
| VOLTAGE RATING (VAC) | 300 | 300 | 300 | 300 |
| CURRENT RATING (A) | cULus | 10 | 10 | 12 |
| | VDE | 10.5 | 10.5 | NA |
| WITHSTANDING VOLTAGE (kV) | cULus | 1.6 | 1.6 | 1.6 |
| | VDE | 2.5 | 2.5 | NA |
| OPERATING TEMP. (°C) | -40~+115 | -40~+115 | -40~+115 | -40~+115 |
| SOLDERING TEMP. (°C) | 250±10 | 250±10 | 250±10 | 250±10 |
| | (5 sec.) | (5 sec.) | (5 sec.) | (5 sec.) |
| POLES AVAILABLE | 02~24 | 02~24 | 02~24 | 02~24 |
| SAFETY CERTIFICATE | | | | |

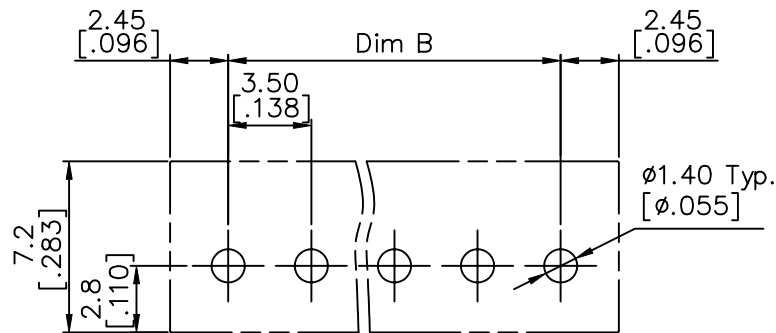
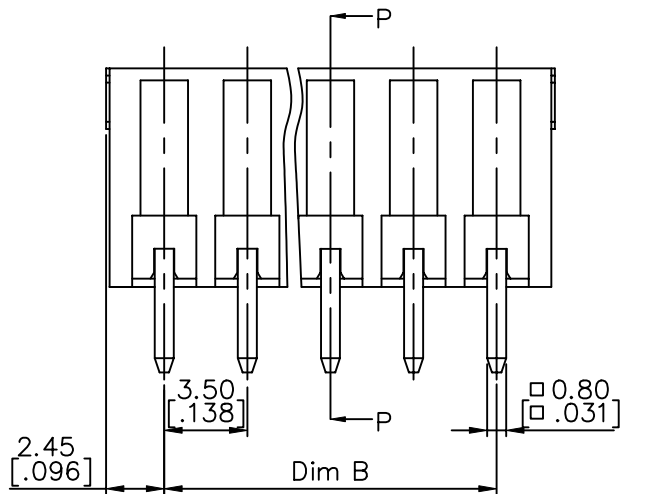
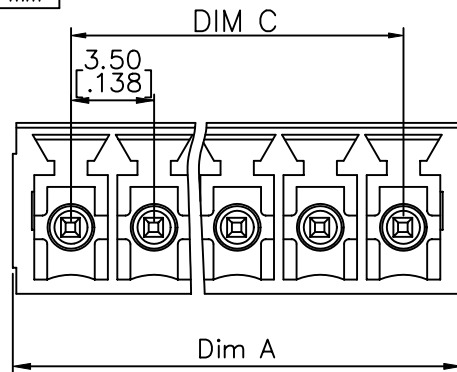
NOTES:

- MATERIALS
1-1 HOUSING: THERMALPLASTIC RESIN, UL 94V-0 RATED.
1-2 TERMINAL: COPPER ALLOY, TIN PLATED.
2. PRODUCTION SPECIFICATION REFER TO FCI GS-12-625.
3. BOXED PACKAGING.
DETAILED PRODUCT PACKING SPECIFICATION REFER TO FCI GS-14-1394.
4. FCI, SAFETY CERTIFICATE LOGO AND SERIES NAME TO BE SHOWN ON PRODUCT SURFACE.
5. THE PRODUCTS WHERE THE PART NUMBER END IN "LF" MEET THE EUROPEAN UNION DIRECTIVE AND OTHER COUNTRY REGULATIONS AS DESCRIBED IN GS-22-008.
6. RECOMENDED SOLDERING PROCESS BY WAVE SOLDER.

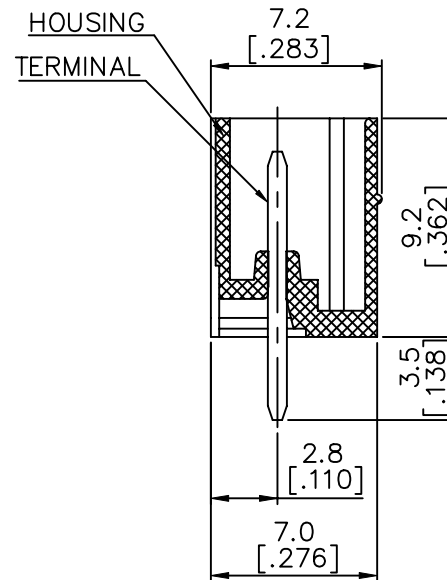
| mat'l. code | | surface ASME Y14.5 | tolerance ASME Y14.5 | projection | product family | |
|-------------|----------|---------------------------------------|-------------------------|------------------|---|--------------------------|
| litr | | tolerances unless otherwise specified | | | TERMINAL BLOCK | |
| E | T10-0159 | WL | 100410 | MM [INCH] | title TERMINAL BLOCK PLUGGABLE SOCKET, STRAIGHT | |
| F | T10-0187 | WL | 121410 | | | |
| G | T11-0013 | WL | 040811 | scale | dwg no 20020107 sheet 1 of 5 size A4 | |
| H | T-004330 | WL | 063011 | dr | | type CUSTOMER Drawing |
| J | T-004746 | WL | 072011 | enr | | |
| | | | | chr | | |
| | | | | appd | | |
| sheet index | revision | J | J | J | J | |
| | sheet | 1 | 2 | 3 | 4 | |



| | | |
|--------------------|-------------|---------|
| PRODUCT NUMBER | SERIES NAME | PITCH |
| 20020107-CXXXXXXLF | 06-350 | 3.50 mm |



RECOMMENDED P.C.B LAYOUT



SECTION P-P

N= NUMBER OF POLES
DIMENSION

| | |
|-------|--|
| Dim A | $(N-1) \times 3.5 [0.138] + 4.9 [0.193]$ |
| Dim B | $(N-1) \times 3.5 [0.138]$ |
| Dim C | $(N-1) \times 3.5 [0.138]$ |

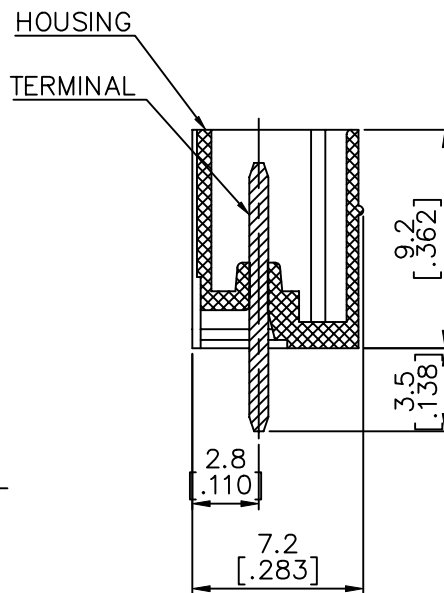
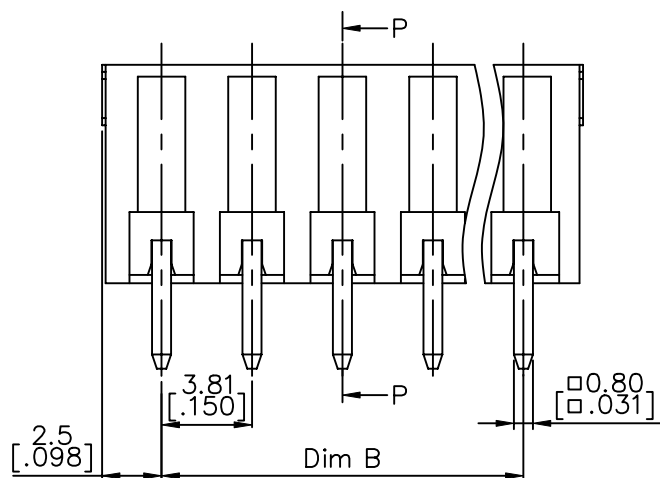
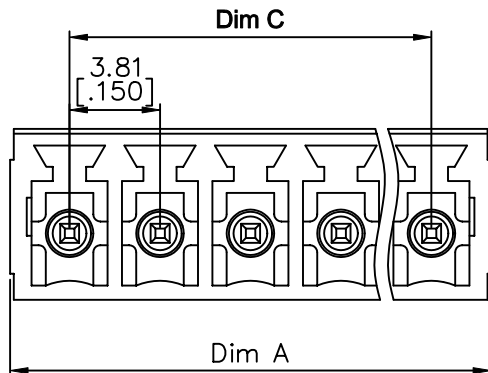
| Poles | Tolerance |
|---------|--------------------|
| 2P-6P | $\pm 0.15 [0.006]$ |
| 7P-12P | $\pm 0.20 [0.008]$ |
| 13P-18P | $\pm 0.25 [0.010]$ |
| 19P-24P | $\pm 0.30 [0.012]$ |

| | | | | |
|-------------|-----------------------|-------------------------|----------------|------------------------------------|
| mat'l. code | surface ASME Y14.5 | tolerance ASME Y14.5 | projection | product family TERMINAL BLOCK |
| ltr | ecn no | dr | date | title |
| J | | | | TERMINAL BLOCK |
| | angles | in | out | PLUGABLE, SOCKET, SIGNAL, VERTICAL |
| | X°±1' | X.XX | ±0.1 [0.004] | scale |
| | dr | BEER FU | 062509 | sheet 2 of 5 size |
| | enr | BEER FU | 062509 | 20020107 |
| | chr | GARY HSIEH | 062509 | A4 |
| | app | JOSEPH HSIA | 062509 | type |
| sheet index | revision sheet | | | CUSTOMER Drawing |





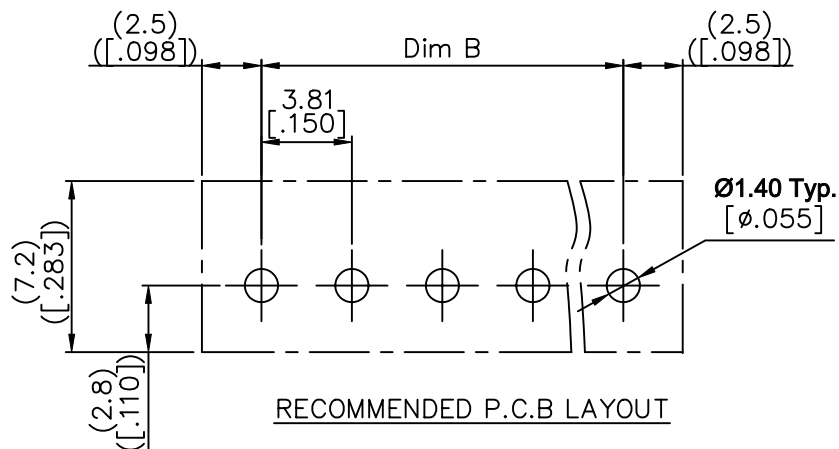
| | | |
|--------------------|-------------|---------|
| PRODUCT NUMBER | SERIES NAME | PITCH |
| 20020107-DXXXXXXLF | 06-381 | 3.81 mm |



N= NUMBER OF POLES
DIMENSION

| | |
|-------|---|
| Dim A | $(N-1) \times 3.81 [.150] + 5.0 [.197]$ |
| Dim B | $(N-1) \times 3.81 [.150]$ |
| Dim C | $(N-1) \times 3.81 [.150]$ |

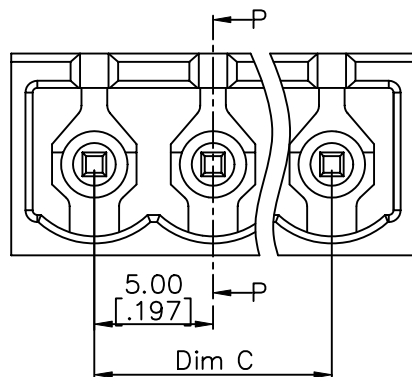
| Poles | Tolerance |
|---------|-------------------|
| 2p-6p | $\pm 0.15 [.006]$ |
| 7p-12p | $\pm 0.20 [.008]$ |
| 13p-16p | $\pm 0.25 [.010]$ |
| 17p-24p | $\pm 0.30 [.012]$ |



| | | | | |
|-------------|-----------------------|-------------------------|----------------|------------------------------------|
| mat'l. code | surface ASME Y14.5 | tolerance ASME Y14.5 | projection | product family TERMINAL BLOCK |
| ltr | ecn no | dr | date | title |
| J | | | | TERMINAL BLOCK |
| | | | | PLUGABLE, SOCKET, SIGNAL, VERTICAL |
| | | | | sheet 3 of 5 size |
| | | | | 20020107 A4 |
| | | | | type CUSTOMER Drawing |
| sheet index | revision sheet | | | |



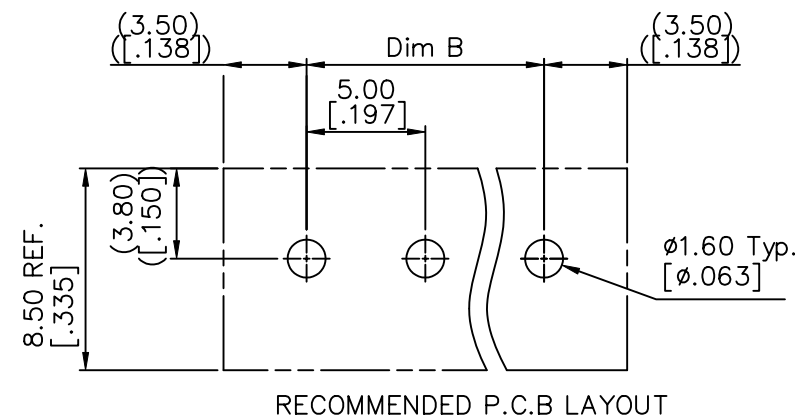
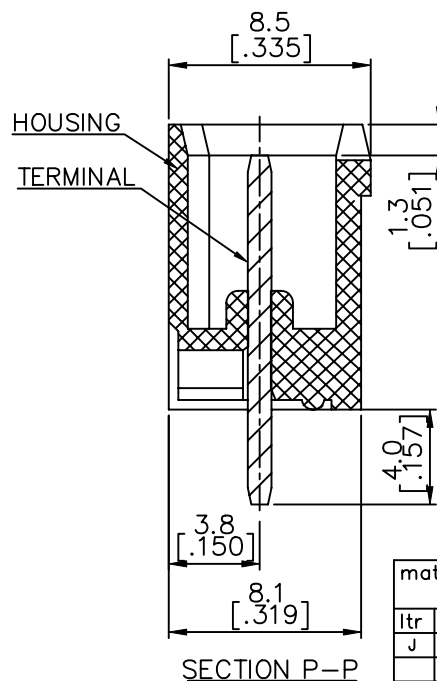
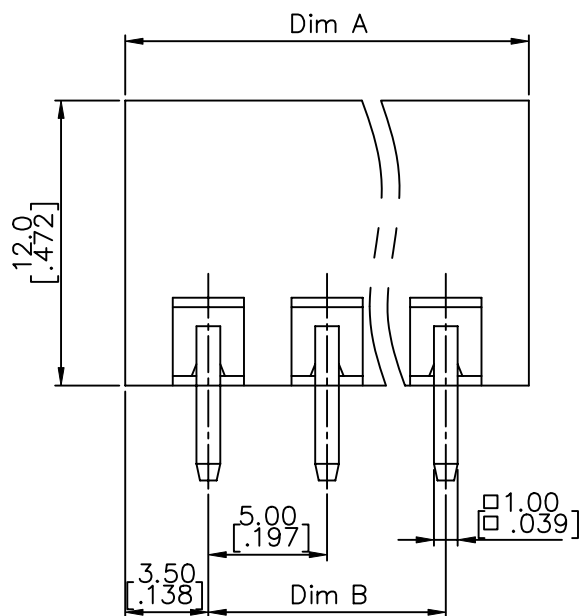
| PRODUCT NUMBER | SERIES NAME | PITCH |
|-------------------|-------------|---------|
| 20020107-GXXXXXLf | 06-500 | 5.00 mm |



N = NUMBER OF POLES
DIMENSION

| | |
|-------|-------------------------------|
| Dim A | $N * 5.0 [.197] + 2.0 [.079]$ |
| Dim B | $(N - 1) * 5.0 [.197]$ |
| Dim C | $(N - 1) * 5.0 [.197]$ |

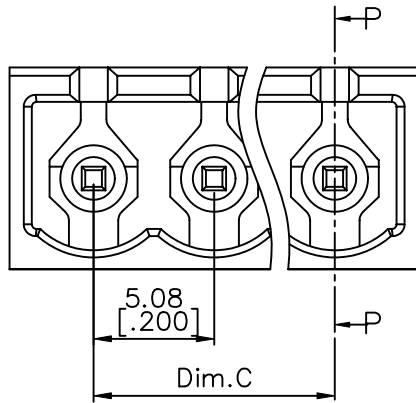
| Poles | Tolerance |
|---------|-------------------|
| 2p-6p | $\pm 0.15 [.006]$ |
| 7p-12p | $\pm 0.25 [.010]$ |
| 13p-16p | $\pm 0.35 [.014]$ |
| 17p-24p | $\pm 0.40 [.016]$ |



| | | | | | |
|-------------|----------------|-----------------------|-------------------------|--|--|
| mat'l. code | | surface ASME Y14.5 | tolerance ASME Y14.5 | projection | product family TERMINAL BLOCK |
| ltr | ecn no | dr | date | tolerances unless otherwise specified | title |
| J | | | | angles X.X ±0.5 [.020] X.X ±0.3 [.012] X°±1' X.XX ±0.1 [.004] | TERMINAL BLOCK PLUGABLE, SOCKET, SIGNAL, VERTICAL |
| | | dr | BEER FU 062509 | scale | sheet 4 of 5 size |
| | | enr | BEER FU 062509 | FCI | 20020107 |
| | | chr | GARY HSIEH 062509 | | A4 |
| | | app | JOSEPH HSIA 062509 | type | CUSTOMER Drawing |
| sheet index | revision sheet | | | | |



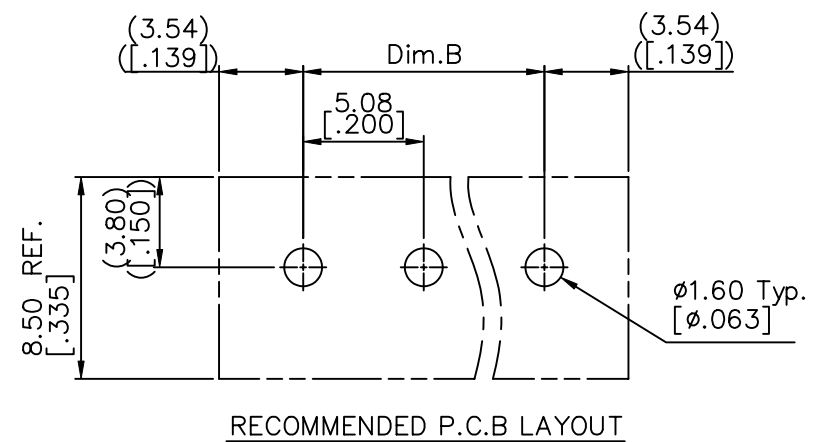
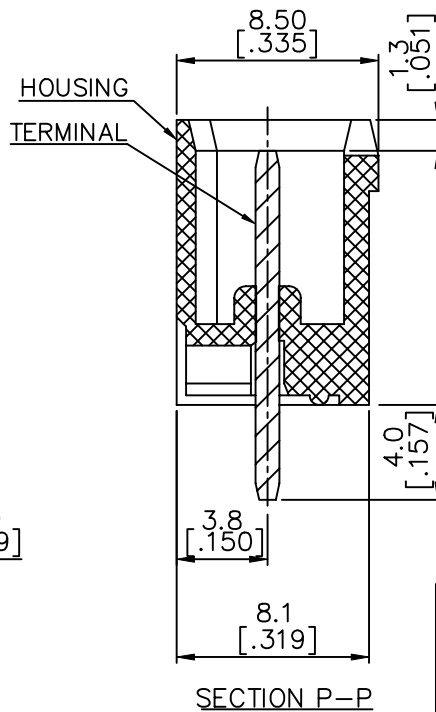
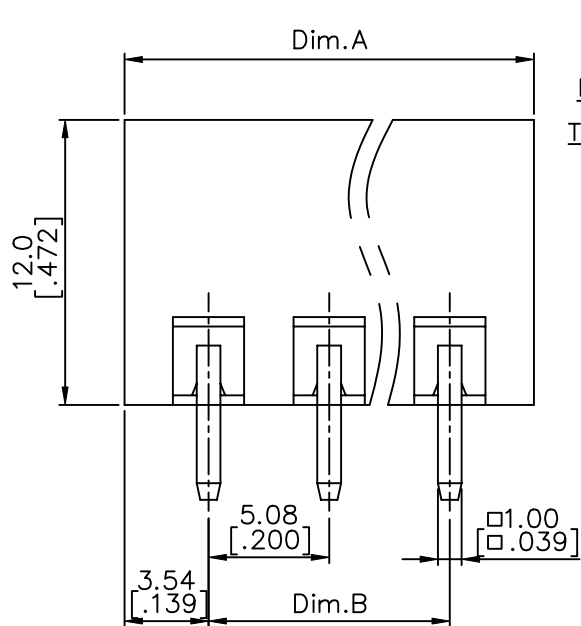
| PRODUCT NUMBER | SERIES NAME | PITCH |
|-------------------|-------------|---------|
| 20020107-HXXXXXLf | 06-508 | 5.08 mm |



N = NUMBER OF POLES
DIMENSION

| | |
|-------|------------------------------------|
| Dim A | $N * 5.08 [.200] + 2.0 [.079]$ |
| Dim B | $(N - 1) * 5.08 [.200]$ |
| Dim C | $(N - 1) * 5.08 [.200]$ |

| Poles | Tolerance |
|---------|---------------------|
| 2p-6p | $\pm 0.15 [.006]$ |
| 7p-12p | $\pm 0.25 [.010]$ |
| 13p-16p | $\pm 0.35 [.014]$ |
| 17p-24p | $\pm 0.40 [.016]$ |



| | | | | |
|-------------|-----------------------|-------------------------|----------------|------------------------------------|
| mat'l. code | surface ASME Y14.5 | tolerance ASME Y14.5 | projection | product family TERMINAL BLOCK |
| ltr | ecn no | dr | date | title |
| J | | | | TERMINAL BLOCK |
| | | | | PLUGABLE, SOCKET, SIGNAL, VERTICAL |
| | | | | sheet 5 of 5 size |
| | | | | 20020107 A4 |
| | | | | type CUSTOMER Drawing |
| sheet index | revision sheet | | | |