

PITCH

C: 3.50 mm
 D: 3.81 mm
 G: 5.00 mm
 H: 5.08 mm

02: 2 POLES
 03: 3 POLES

 24: 24 POLES

1 : STANDARD PRODUCT
 W/ BOX PACKING

CODE	COLOR	AVAILABILITY
1	GREEN(RAL 6018/T)	STANDARD
2	BLACK	ON REQUEST ONLY
3	GREY(RAL 7004/P)	ON REQUEST ONLY
4	BLUE(RAL 5015/A)	ON REQUEST ONLY
5	YELLOW(RAL 1018)	ON REQUEST ONLY

cULus				
VDE	10.5	10.5	NA	NA
cULus				
VDE	2.5	2.5	NA	NA

NOTES:

MATERIALS

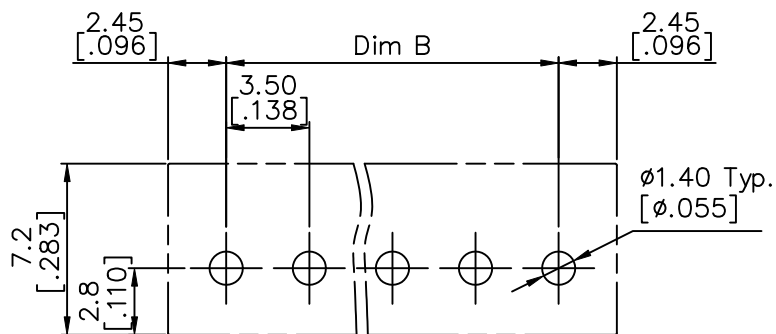
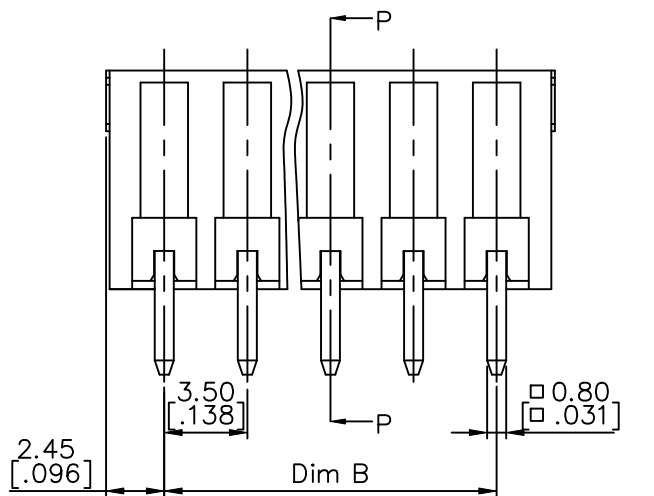
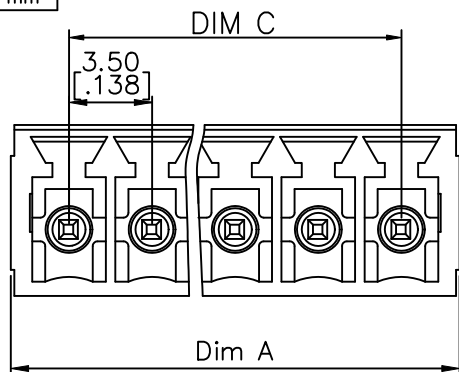
- 1-1 HOUSING: THERMALPLASTIC RESIN, UL 94V-0 RATED.
- 1-2 TERMINAL: COPPER ALLOY, TIN PLATED.
- 2. PRODUCTION SPECIFICATION REFER TO FCI GS-12-625.
- 3. BOXED PACKAGING.
- DETAILED PRODUCT PACKING SPECIFICATION REFER TO FCI GS-14-1394.
- 4. FCI, SAFETY CERTIFICATE LOGO AND SERIES NAME TO BE SHOWN ON PRODUCT SURFACE.
- 5. THE PRODUCTS WHERE THE PART NUMBER END IN "LF" MEET THE EUROPEAN UNION DIRECTIVE AND OTHER COUNTRY REGULATIONS AS DESCRIBED IN GS-22-008.
- 6. RECOMENDED SOLDERING PROCESS BY WAVE SOLDER.



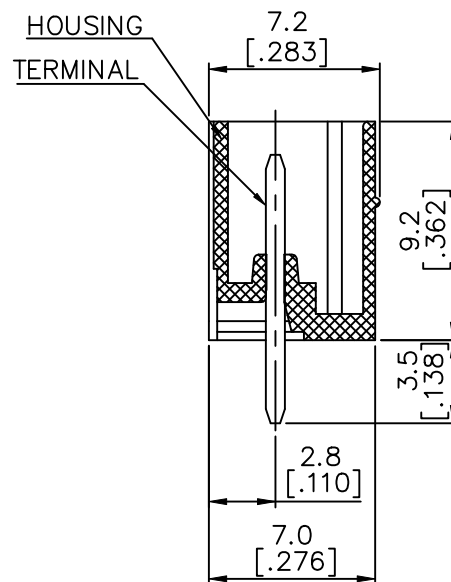
mat'l. code				surface ASME Y14.5	tolerance ASME Y14.5	projection	product family TERMINAL BLOCK
ltr	ecn no	dr	date	tolerances unless otherwise specified			title
E	T10-0159	WL	100410	angles	X.±0.5[.020]	MM [INCH]	TERMINAL BLOCK PLUGGABLE SOCKET, STRAIGHT
F	T10-0187	WL	121410	to 1°	X.X±0.3[.012]		
G	T11-0013	WL	040811	X°±1°	X.XX±0.1[.004]	scale	dwg no
H	T-004330	WL	063011	dr	BEER FU	062509	sheet 1 of 5 size
J	T-004746	WL	072011	enr	BEER FU	062509	20020107
K	T-005754	WL	090611	chr	GARY HSIEH	062509	
				appd	JOSEPH HSIA	062509	type
sheet	revision	K	K	K	K	K	CUSTOMER Drawing
index	sheet	1	2	3	4	5	



PRODUCT NUMBER	SERIES NAME	PITCH
20020107-CXXXXXXLF	06-350	3.50 mm



RECOMMENDED P.C.B LAYOUT



SECTION P-P

N= NUMBER OF POLES
DIMENSION

Dim A	$(N-1) \times 3.5 [.138] + 4.9 [.193]$
Dim B	$(N-1) \times 3.5 [.138]$
Dim C	$(N-1) \times 3.5 [.138]$

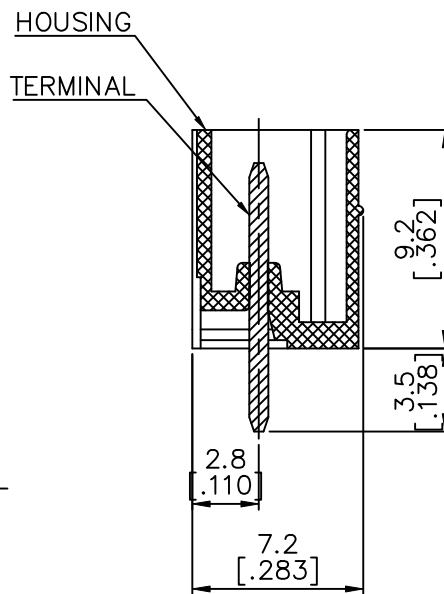
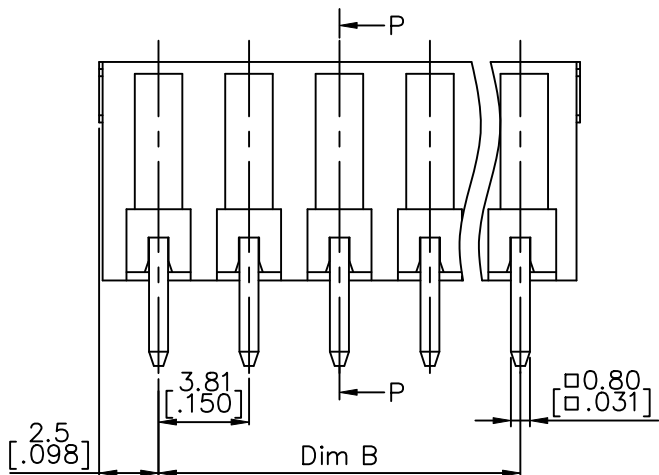
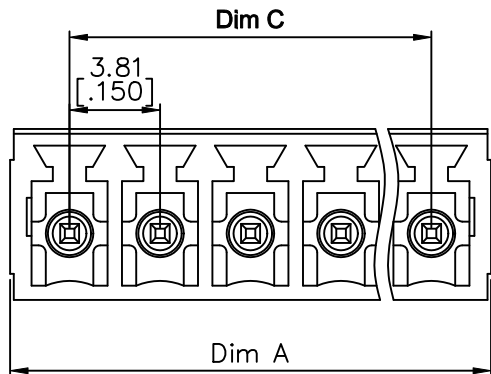
Poles	Tolerance
2P-6P	$\pm 0.15 [.006]$
7P-12P	$\pm 0.20 [.008]$
13P-18P	$\pm 0.25 [.010]$
19P-24P	$\pm 0.30 [.012]$

mat'l. code	surface ASME Y14.5	tolerance ASME Y14.5	projection 	product family TERMINAL BLOCK
ltr	ecn no	dr	date	title
K				TERMINAL BLOCK
	angles	tolerances unless otherwise specified	scale	PLUGABLE, SOCKET, SIGNAL, VERTICAL
	$X^\circ \pm 1'$	$X.X \pm 0.3 [.012]$	MM [INCH]	dwg no
	$X.XX \pm 0.1 [.004]$			sheet 2 of 5
dr	BEER FU	062509		20020107
enr	BEER FU	062509		A4
chr	GARY HSIEH	062509		
appd	JOSEPH HSIA	062509		
sheet index	revision sheet			type CUSTOMER Drawing





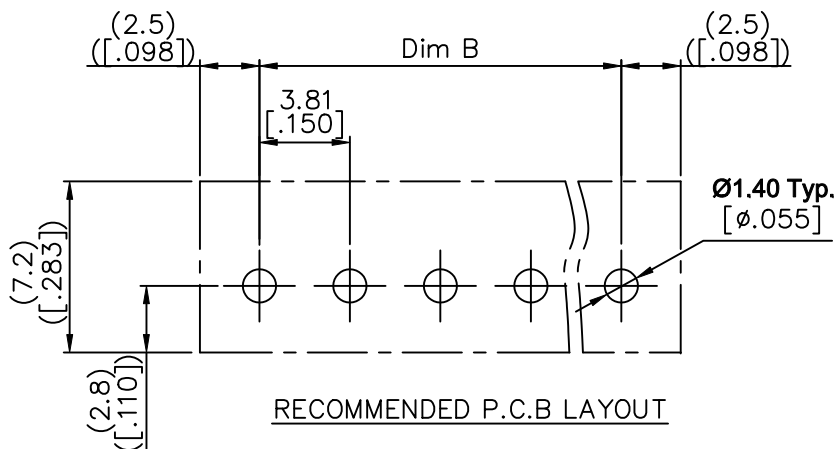
PRODUCT NUMBER	SERIES NAME	PITCH
20020107-DXXXXXLF	06-381	3.81 mm



N= NUMBER OF POLES
DIMENSION

Dim A	$(N-1) \times 3.81 [.150] + 5.0 [.197]$
Dim B	$(N-1) \times 3.81 [.150]$
Dim C	$(N-1) \times 3.81 [.150]$

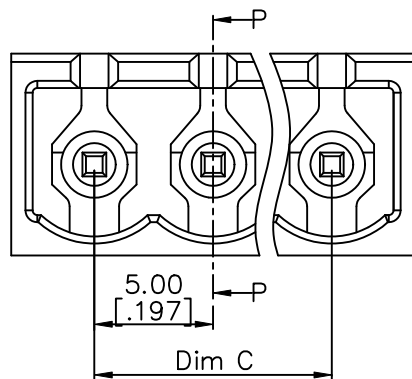
Poles	Tolerance
2p-6p	$\pm 0.15 [.006]$
7p-12p	$\pm 0.20 [.008]$
13p-16p	$\pm 0.25 [.010]$
17p-24p	$\pm 0.30 [.012]$



mat'l. code	surface ASME Y14.5	tolerance ASME Y14.5	projection 	product family TERMINAL BLOCK
ltr	ecn no	dr	date	title
K				TERMINAL BLOCK
	angles	line	line	PLUGABLE, SOCKET, SIGNAL, VERTICAL
	$X \pm 1^\circ$	$X.X \pm 0.3 [.012]$	$X.XX \pm 0.1 [.004]$	dwg no
	dr	BEER FU	062509	sheet 3 of 5 size
	enr	BEER FU	062509	20020107
	chr	GARY HSIEH	062509	A4
	app	JOSEPH HSIA	062509	type
				CUSTOMER Drawing
sheet index	revision sheet			



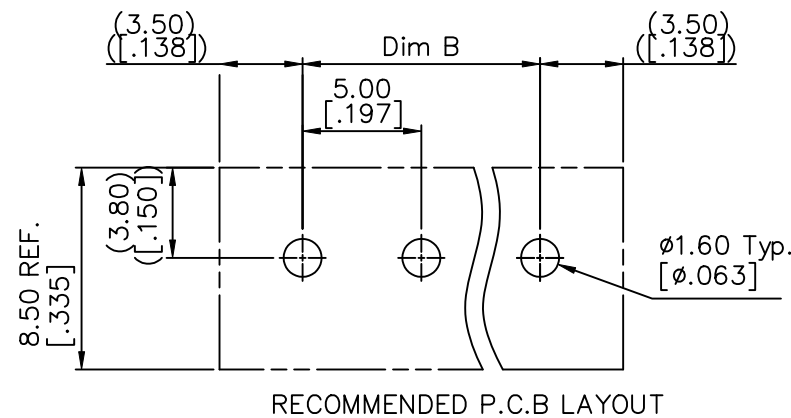
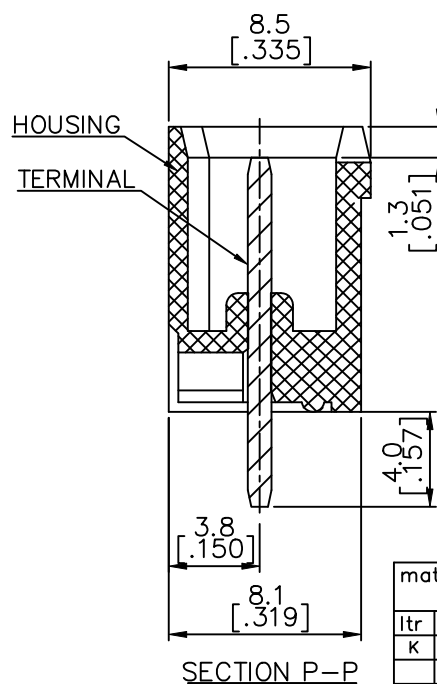
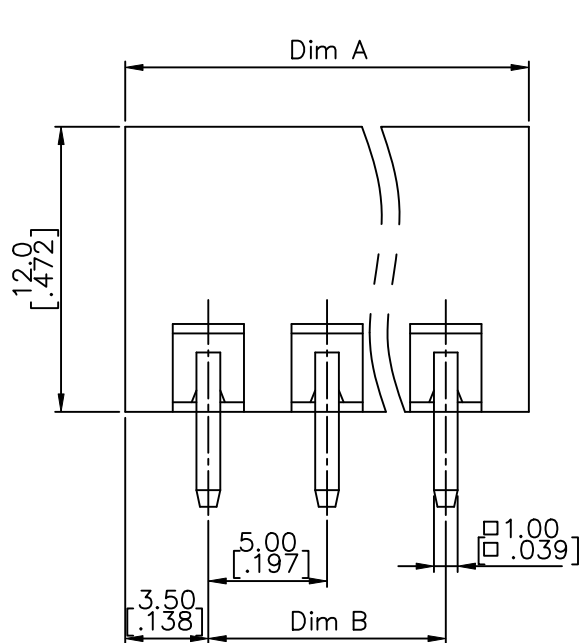
PRODUCT NUMBER	SERIES NAME	PITCH
20020107-GXXXXXLf	06-500	5.00 mm



N = NUMBER OF POLES
DIMENSION

Dim A	$N * 5.0 [.197] + 2.0 [.079]$
Dim B	$(N - 1) * 5.0 [.197]$
Dim C	$(N - 1) * 5.0 [.197]$

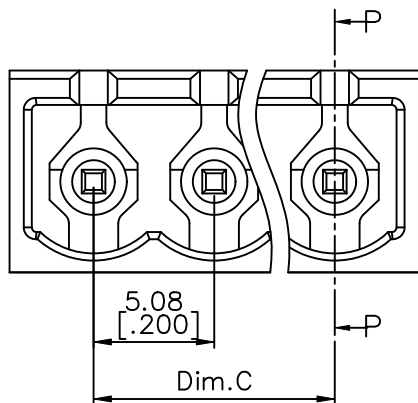
Poles	Tolerance
2p-6p	$\pm 0.15 [.006]$
7p-12p	$\pm 0.25 [.010]$
13p-16p	$\pm 0.35 [.014]$
17p-24p	$\pm 0.40 [.016]$



mat'l. code		surface ASME Y14.5 ✓	tolerance ASME Y14.5	projection 	product family TERMINAL BLOCK
ltr	ecn no	dr	date	title	
K				TERMINAL BLOCK	
tolerances unless otherwise specified				MM	PLUGABLE, SOCKET, SIGNAL, VERTICAL
angles				[INCH]	dwg no
X°±1'				scale	sheet 4 of 5 size
dr BEER FU 062509					20020107
enr BEER FU 062509					A4
chr GARY HSIEH 062509					type
app JOSEPH HSIA 062509					CUSTOMER Drawing
sheet index	revision sheet				



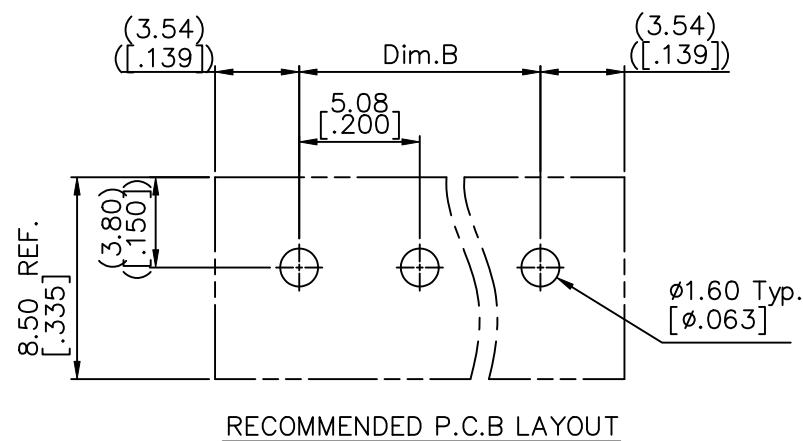
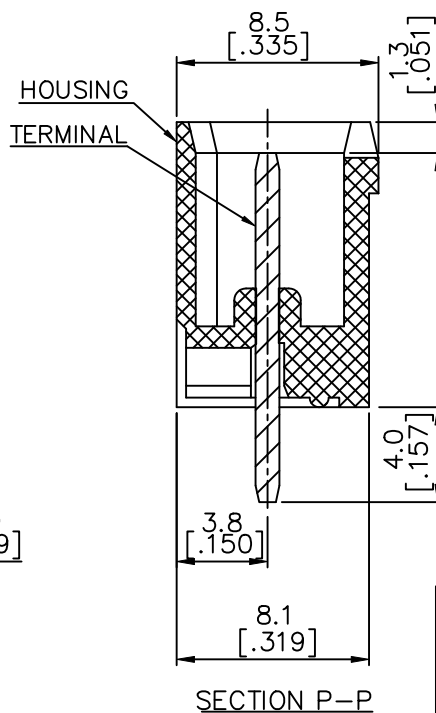
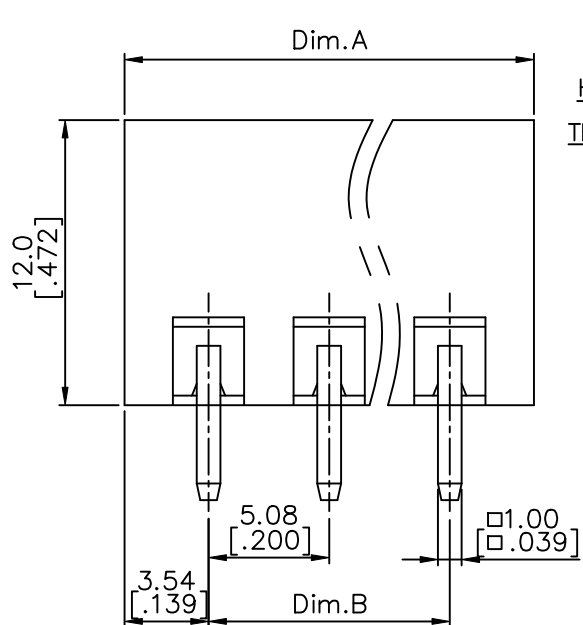
PRODUCT NUMBER	SERIES NAME	PITCH
20020107-HXXXXXL	06-508	5.08 mm



N = NUMBER OF POLES
DIMENSION

Dim A	$N * 5.08 [.200] + 2.0 [.079]$
Dim B	$(N - 1) * 5.08 [.200]$
Dim C	$(N - 1) * 5.08 [.200]$

Poles	Tolerance
2p-6p	$\pm 0.15 [.006]$
7p-12p	$\pm 0.25 [.010]$
13p-16p	$\pm 0.35 [.014]$
17p-24p	$\pm 0.40 [.016]$



mat'l. code	surface ASME Y14.5	tolerance ASME Y14.5	projection 	product family TERMINAL BLOCK
ltr	ecn no	dr	date	title
K				TERMINAL BLOCK
				PLUGABLE, SOCKET, SIGNAL, VERTICAL
				sheet 5 of 5 size
				20020107 A4
				type CUSTOMER Drawing
sheet index	revision sheet			