

# PCB Spring Terminal Block multicomp<sup>PRO</sup>

**RoHS  
Compliant**

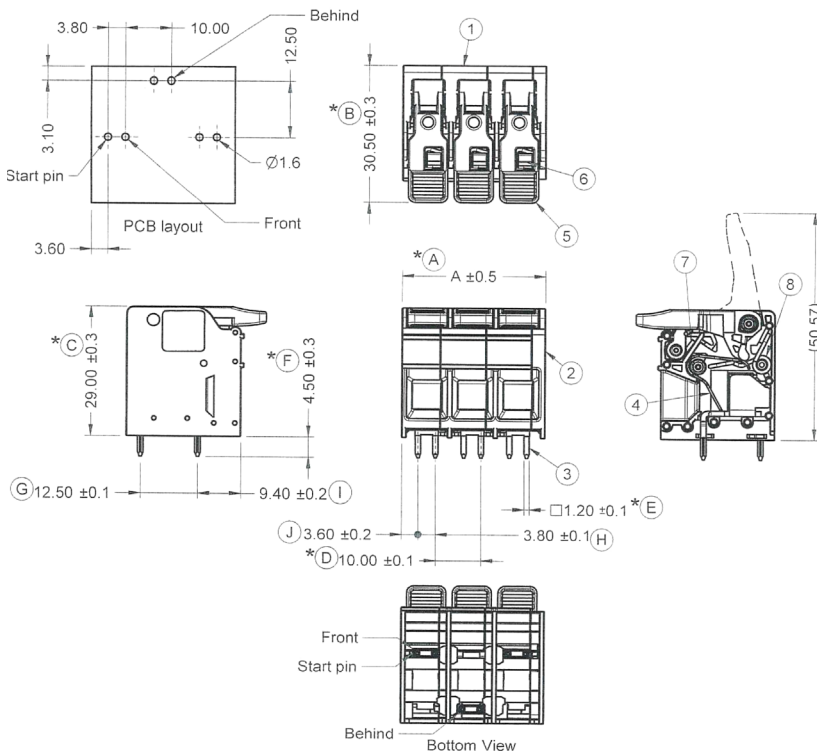
## Specifications

### Technical Data in Accordance to UL/CUL

Current Rating	: 51A 600V (UG B/C)
Insulation Withstands Voltage	: 2200V AC 1 minute
Insulation Resistance	: >2000MΩ 500V DC
Wire Range	: 6 to 18 AWG

### Technica Data in Accordance to IEC/DIN/VDE

Rated Surge Voltage (III/3)	: 8kV
Rated Surge Voltage (III/2)	: 8kV
Rated Surge Voltage (II/2)	: 6kV
Rated Insulation Voltage (III/3)	: 800V
Rated Insulation Voltage (III/2)	: 1000V
Rated Insulation Voltage (II/2)	: 1000V
Rated Current	: 76A
Wire Range	: 0.75mm <sup>2</sup> to 16mm <sup>2</sup>
Operation Temperature	: 40°C to +105°C
Wire Strip Length	: 17mm to 18mm



Pitch:10mm (0.394inch)		
Poles	A(mm)	A (in)
2	21.4	0.843
3	31.4	1.236
4	41.4	1.63
5	51.4	2.024
6	61.4	2.417
7	71.4	2.811
8	81.4	3.205

Dimensions : Millimetres

Newark.com/multicomp-pro  
Farnell.com/multicomp-pro  
sg.element14.com/b/multicomp-pro

**multicomp<sup>PRO</sup>**

# PCB Spring Terminal Block **multicomp**PRO

No.	Material		Plating/Finish	Remark
1.	Insulating Body	Polyamide 66(UL94V-0)		Black
2.	Side Cover	Polyamide 66(UL94V-0)		Black
3.	Contact	Copper	Tin Plated	
4.	Spring	Stainless Strip Steel		
5.	Lever	Polyamide 66(UL94V-0)		Orange
6.	Latch	PBT (UL94V-0)		Orange
7.	Spring	Stainless Steel		
8.	Spring	Stainless Steel		

## Part Number Table

Description	Part Number
PCB Spring Terminal Block, 10mm, 2 Poles	MP014930
PCB Spring Terminal Block, 10mm, 3 Poles	MP014931
PCB Spring Terminal Block, 10mm, 4 Poles	MP014932
PCB Spring Terminal Block, 10mm, 6 Poles	MP014933

**Important Notice :** This data sheet and its contents (the "Information") belong to the members of the AVNET group of companies (the "Group") or are licensed to it. No licence is granted for the use of it other than for information purposes in connection with the products to which it relates. No licence of any intellectual property rights is granted. The Information is subject to change without notice and replaces all data sheets previously supplied. The Information supplied is believed to be accurate but the Group assumes no responsibility for its accuracy or completeness, any error in or omission from it or for any use made of it. Users of this data sheet should check for themselves the Information and the suitability of the products for their purpose and not make any assumptions based on information included or omitted. Liability for loss or damage resulting from any reliance on the Information or use of it (including liability resulting from negligence or where the Group was aware of the possibility of such loss or damage arising) is excluded. This will not operate to limit or restrict the Group's liability for death or personal injury resulting from its negligence. Multicomp Pro is the registered trademark of Premier Farnell Limited 2019.

Newark.com/multicomp-pro  
Farnell.com/multicomp-pro  
sg.element14.com/b/multicomp-pro

**multicomp**PRO