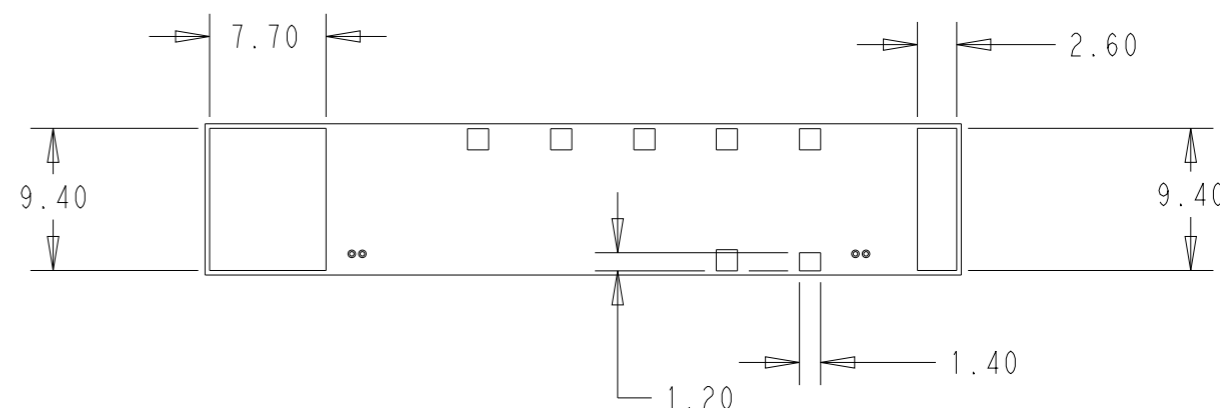
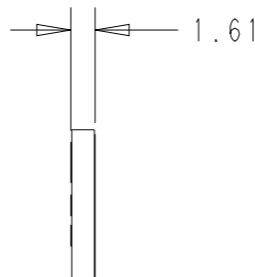
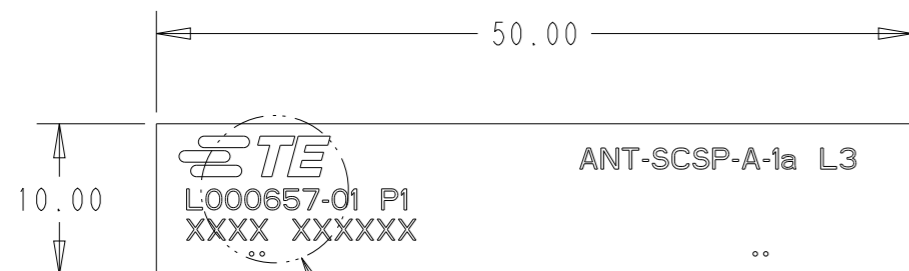


P	LTR	DESCRIPTION	DATE	DWN	APVD
	A	REVISED PER ECN-23-232602	22SEP2023	SJ	JH
	A1	REVISED PER ECN-23-240358	20OCT2023	SJ	JH
	A2	REVISED PER ECN-24-266961	21MAY2024	SJ	JH
	A3	REVISED PER ECN-24-276132	18JUL2024	SJ	WT



NOTES: UNLESS OTHERWISE SPECIFIED.

1. FABRICATE TO MEET IPC - 6012, CLASS 2.
INSPECT TO MEET IPC - A - 600, CLASS 2.

2. MATERIAL: FR-4 PCB , THK 1.61

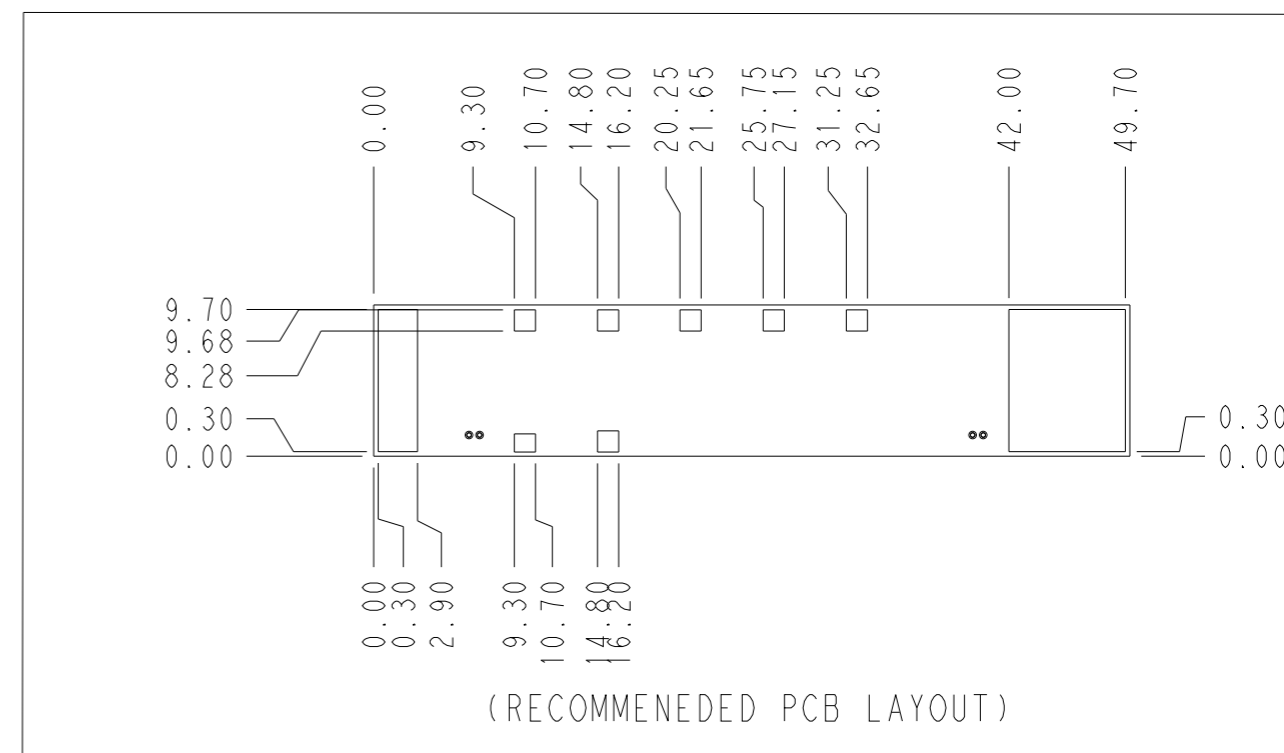
3. FINISH:
A: PLATING : 1 OZ COPPER (FOR THROUGH HOLE)
B: SOLDERMASK OVER BASE COPPER (SMOBS)
C: SOLDERMASK COLOR : ORANGE
D: (ENIG) ELECTROLESS NICKEL IMMERSION GOLD
FINISH 0.03um MIN. GOLD OVER 3um MIN NICKEL.

4. SILKSCREEN; WHITE EPOXY INK
A. TE LOGO, TE P/N
B. WORD REV., FOLLOWED BY THE LATEST REVISION LETTER, AS SHOWN.
C. 4 DIGIT DATE CODE: FIRST 2 DIGITS FOR THE WEEK CODE AND THE 2ND TWO DIGITS FOR THE YEAR CODE.
OTHERS: SPECIFIC TE SOURCE CODE NUMBER DIGITS AS REQUIRED

5. CONSULT TE CONNECTIVITY DATA SHEET : L000657-01.

6. CONTACT TE CONNECTIVITY ENGINEERING PRIOR TO DESIGNING INTO AN APPLICATION.

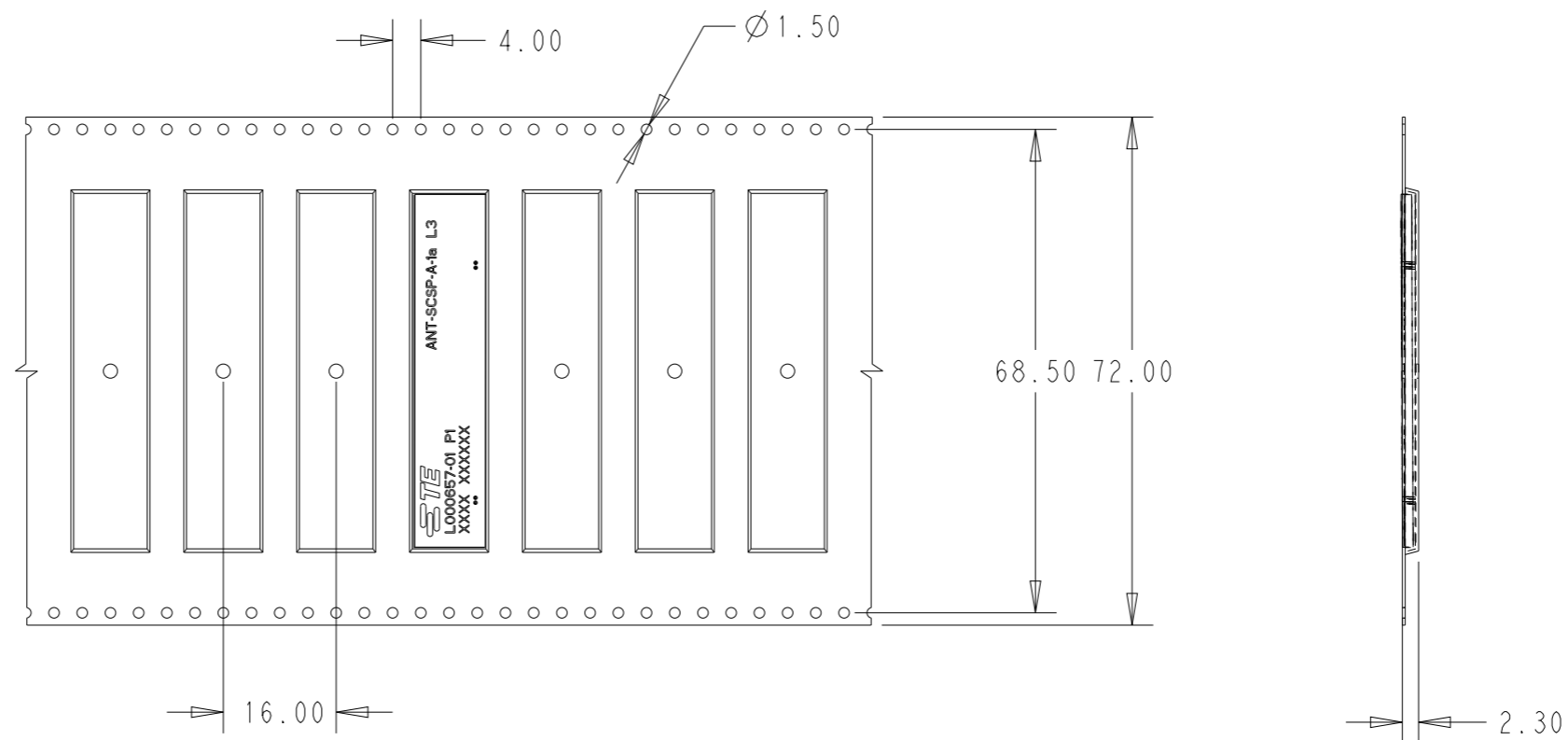
7. PACKAGING: TAPE AND REEL PACKAGED, SEE SHEET 2.
8. REFER TO RF TEST EVALUATION BOARD, SEE SHEET 3.



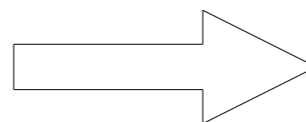
TAPE AND REELED	L000657-01
PACKAGING	PART NUMBER

THIS DRAWING IS A CONTROLLED DOCUMENT.		DWN	SJ.NOH	27JUL2023	 TE Connectivity NAME SPLATCH 5G/LTE GLOBAL WIDEBAND CHIP ANT 617-5000MHZ			
DIMENSIONS: mm		CHK	-	27JUL2023				
TOLERANCES UNLESS OTHERWISE SPECIFIED:		APVD	JH.KIM	27JUL2023				
0 PLC ±- 1 PLC ±- 2 PLC ±- 3 PLC ±- 4 PLC ±- ANGLES ±-		PRODUCT SPEC	-	-				
MATERIAL	TBD	APPLICATION SPEC	-	-	SIZE	CAGE CODE	DRAWING NO	RESTRICTED TO
-	-	FINISH	-	-	A3	00779	©-L000657	-
CUSTOMER DRAWING		WEIGHT	-	-	SCALE		2:1	SHEET
finish_spec_2		CUSTOMER DRAWING		SCALE		2:1	SHEET	1 OF 3
								REV
								A3

P	LTR	DESCRIPTION	DATE	DWN	APVD
-	-	SEE SHEET 1	-	-	-



USER DIRECTION OF UNREELING



NOTES: UNLESS OTHERWISE SPECIFIED.

1. MATERIALS FOR CARRIER TAPE TO BE SELECTED BY SUPPLIER AND APPROVED BY TE CONNECTIVITY.

2. ORIENT PARTS AS SHOWN.

3. MATERIALS FOR COVER TAPE TO BE SELECTED BY SUPPLIER AND APPROVED BY TE CONNECTIVITY.

4. PARTS MUST CONFORM TO E.I.A STANDARDS.

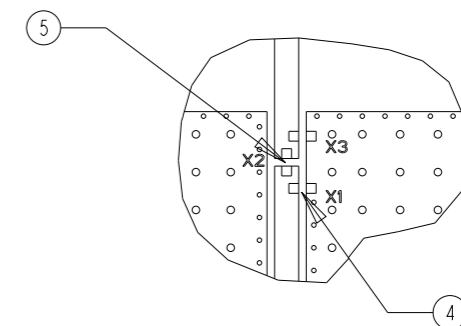
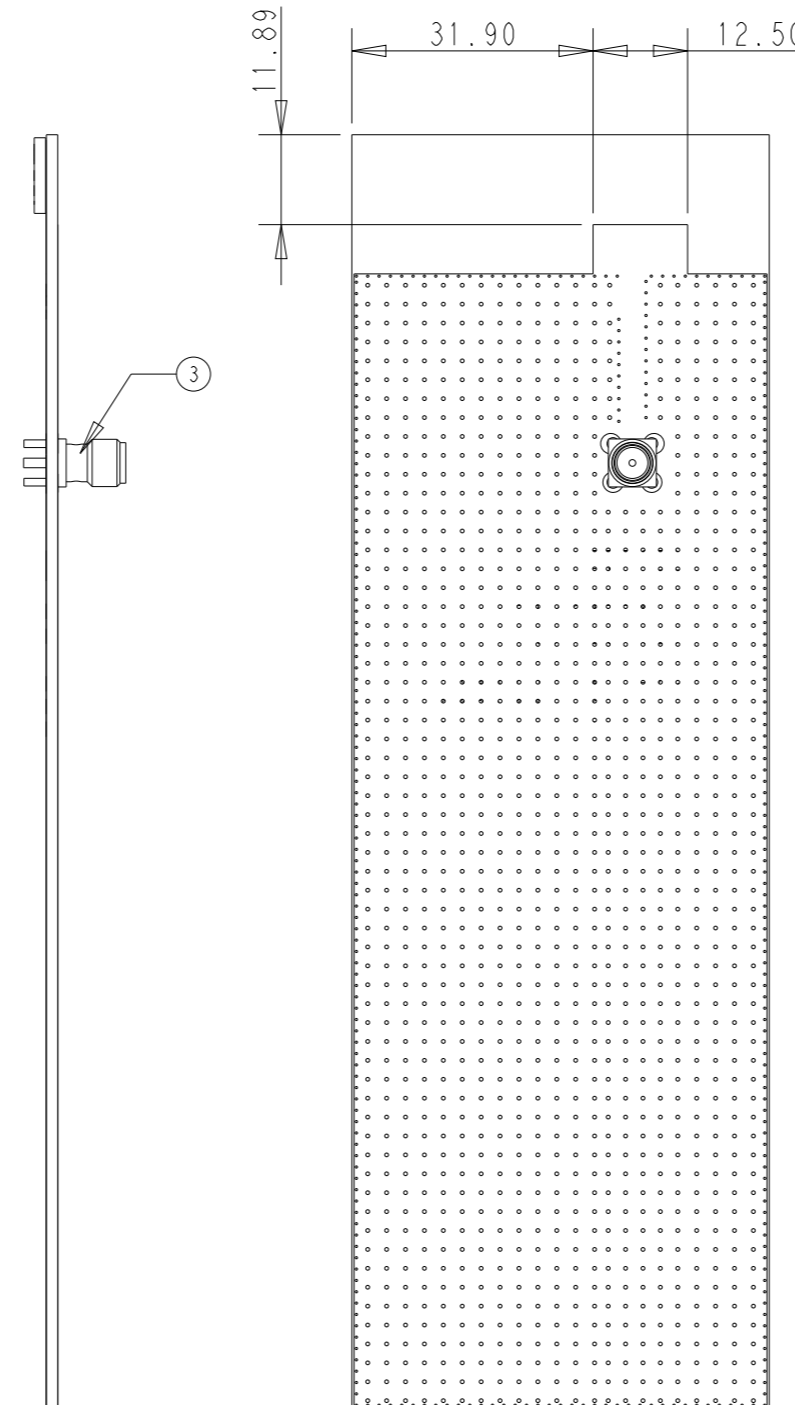
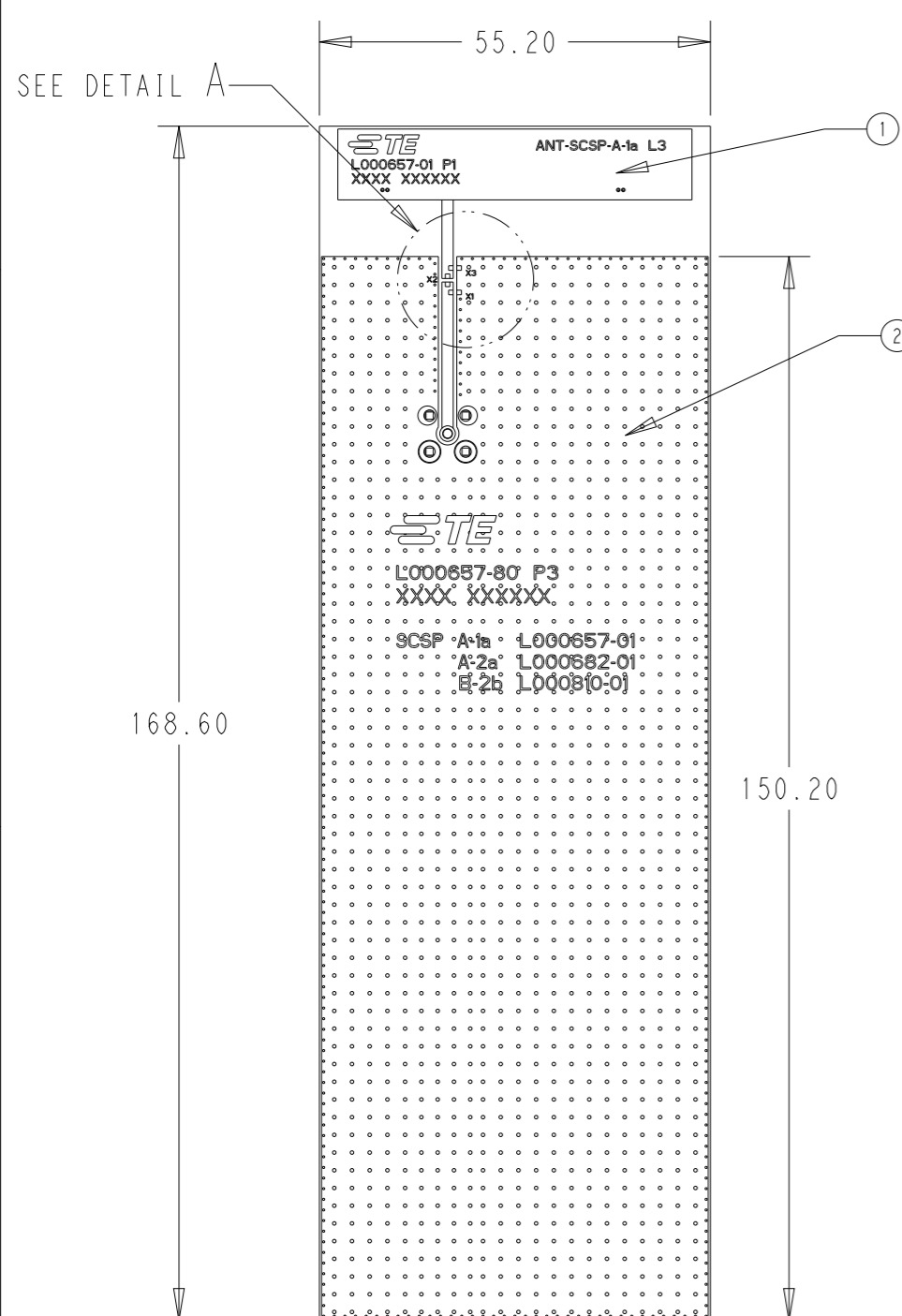
5. PARTS ARE COMPLIANT TO RoHS STANDARDS PER TE CONNECTIVITY. STANDARD TEC-138-702.

6. PACKAGING Q'TY : 1500 / REEL

THIS DRAWING IS A CONTROLLED DOCUMENT.		DWN	SJ.NOH		27JUL2023
DIMENSIONS:		CHK	-		27JUL2023
mm	TOLERANCES UNLESS OTHERWISE SPECIFIED:	APVD	JH.KIM		27JUL2023
	0 PLC	PRODUCT SPEC	-		
	1 PLC	APPLICATION SPEC	-		
	2 PLC	WEIGHT	-		
	3 PLC	CUSTOMER DRAWING	-		
4 PLC	FINISH	-			
ANGLES	finish_spec_2	-			
MATERIAL	TBD	NAME		SPLATCH 5G/LTE GLOBAL WIDEBAND CHIP ANT 617-5000MHZ	
-	-	SIZE	CAGE CODE	DRAWING NO	RESTRICTED TO
		A3	00779	©-L000657	-
		SCALE	SHEET	REV	
		1:1	2 OF 3	A3	



P	LTR	DESCRIPTION	DATE	DWN	APVD
-	-	SEE SHEET 1	-	-	-



DETAIL A
SCALE 2:1

AS SHOWN L000657-80

L000657-80
PART NUMBER

QTY	DESCRIPTION	ITEM
1	"X2" RESISTOR 0ohm	5
1	"X1" INDUCTOR 15nH	4
1	SMA PCB VERT CONNECTOR	3
1	EVALRATION BORD	2
1	PCB ANTENNA	1

THIS DRAWING IS A CONTROLLED DOCUMENT.		DWN	SJ.NOH	27JUL2023	<p>TE Connectivity</p> <p>NAME SPLATCH 5G/LTE GLOBAL WIDEBAND CHIP ANT 617-5000MHZ</p>								
DIMENSIONS: mm		CHK	-	27JUL2023									
TOLERANCES UNLESS OTHERWISE SPECIFIED:		APVD	JH.KIM	27JUL2023									
0 PLC ±- 1 PLC ±- 2 PLC ±- 3 PLC ±- 4 PLC ±- ANGLES ±-		PRODUCT SPEC	-	-									
MATERIAL	TBD	APPLICATION SPEC	-	-	SIZE	A3	CAGE CODE	00779	DRAWING NO	©-L000657	RESTRICTED TO	-	
FINISH		WEIGHT	-	-	SCALE		2:1		SHEET		3 OF 3	REV	A3
finish_spec_2		CUSTOMER DRAWING		SCALE		2:1		SHEET		3 OF 3		REV	A3