

RAMO 22 F, USB, round collar, frontring black, USB 3.0 type A with cable 55 cm

Description



Cable feed-through for front panels. Front side USB 3.0 or RJ45, rear side with corresponding sockets in the housing or 55 cm cable and socket.



technical data

> general

Collar color	black
Front ring color	black
Collar shape	round
Operating temperature, min.	-25 °C
Operating temperature, max.	70 °C
Storage temperature, min.	-40 °C
Storage temperature, max.	90 °C
illuminated	No
Packaging	Box
Packaging unit	2 pcs.
Net weight	52 g
Operating life	1,500 cycles
Degree of protection, front side, according to DIN EN 60529	IP65 with sealing cap
Environment resistance	IEC 60068-2-14 IEC 60068-2-30 IEC 60068-2-78
Impact resistance IK	05 side 07 frontal
Minimum order quantity (MOQ)	2 pcs.
RoHS compliant	Yes
REACH compliant	Yes
Country of origin	HU

> mounting diameters

Outside dimension, length	29.8 mm
Outside dimension, width	29.8 mm
Outside dimension, height	54.1 mm
Mounting hole	22.3 mm
Mounting depth	26.6 mm
Installation height	11.47 mm
Grid, min.	30 mm

direct links

> [RAFI eCatalog](#)

Collar dimension 29.8 mm

> **mechanical data**

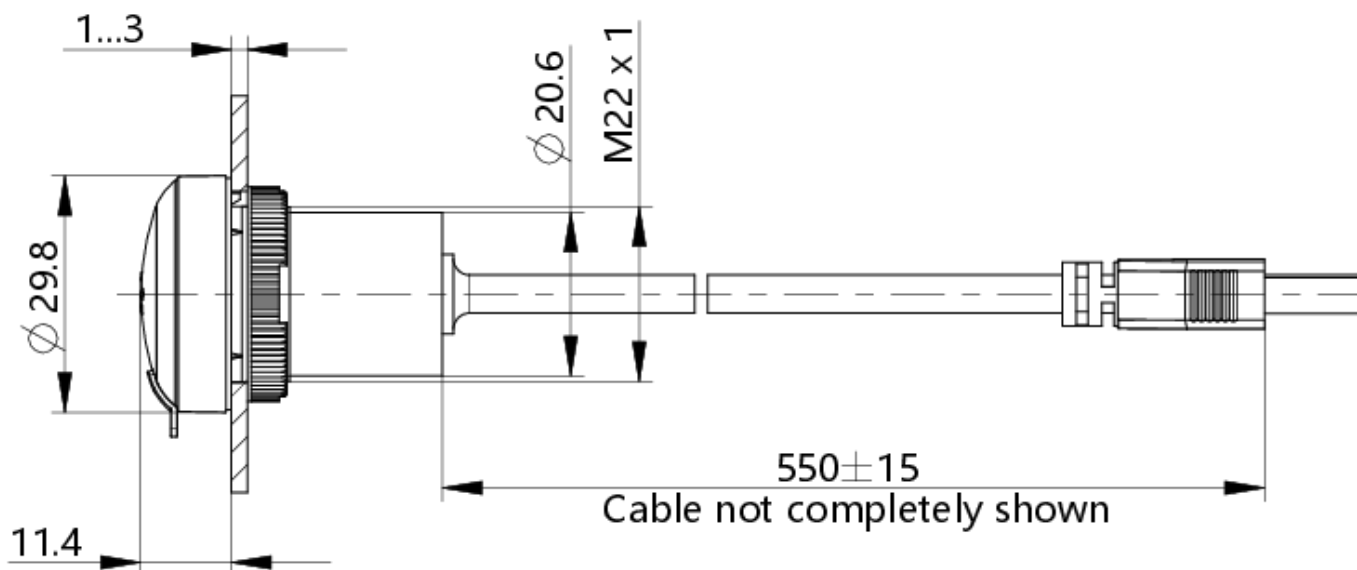
Front side terminal USB 3.0 type A
Terminal on the rear USB 3.0 type A with cable 55 cm
Fixing Threaded ring
Threaded ring torque, max. 1.2 Nm

> **Specifications according to UL 60947**

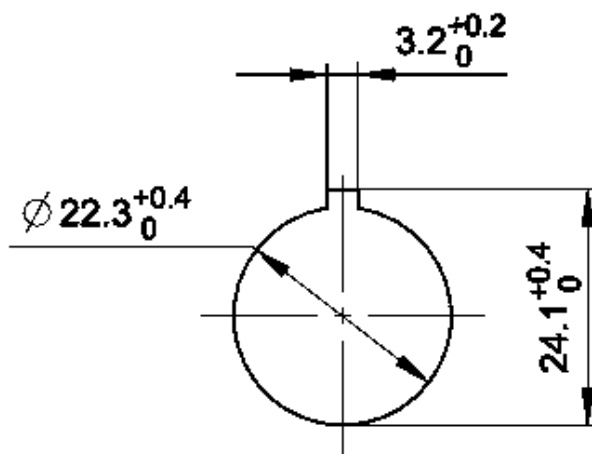
UL Enclosure Type Rating front side type 4X indoor
Operating temperature, max. to UL/TÜV 70 °C

drawings

Dimensioned drawing



Mounting hole drawing



acc. to IEC 60947-5-1