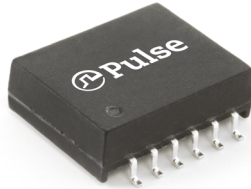
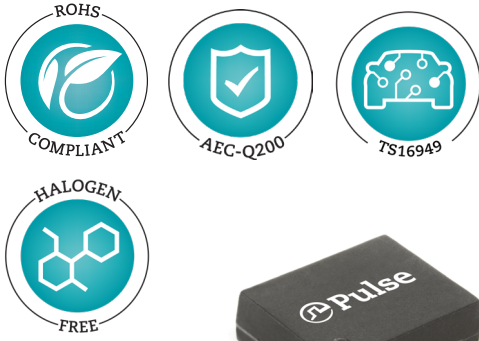


Halogen Free BMS Transformer

Approved for ADBM6830 16-channel multicell battery monitor IC



- Ⓢ Fully qualified with leading BMS Silicon from ADI
- Ⓢ UL Compliance to IEC/UL62368-1
- Ⓢ Low profile height 4.88mm max
- Ⓢ High temperature performance up to +125°C
- Ⓢ Automated Winding and Production Process

Applications:

Ideal for Electric Vehicles (EV), Energy Storage (ESS) and marine or aviation transportation.

Operating Temperature - see Table Below

Part Number	Inductance (100kHz, 100mVrms)	Turns Ratio	Choke fitted	Isolation breakdown (Pri:Sec)	Working Voltage	Insulation & Creepage (mm)	Operating Temperature	Qualified BMS Silicon
HM2171HL	150 uH min 450 uH max	1.00 +/- 2%	YES	4300Vrms / 60sec	1500VDC	Functional >3mm	-40 to +125°C	ADI - ADBM6830

Additional Electrical performance

Electrical (Cont...)

Part Number	Leakage Inductance (Max)	Winding DCR (Ω)		Insertion Loss	Return Loss $ Z _{out} = 100 \Omega$	CMRR	
		PHY Side	Line Side			1 - 10MHz	10 - 1000MHz
HM2171HL	0.50 uH @ 100kHz	0.45 max	0.85 max	-0.30dB max @ 4MHz	-20 dB min @ 4MHz	-35dB	-20dB

Notes:

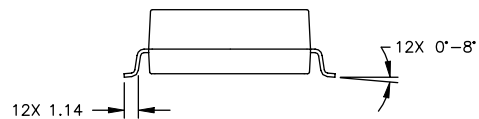
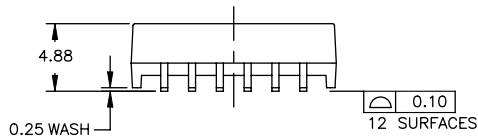
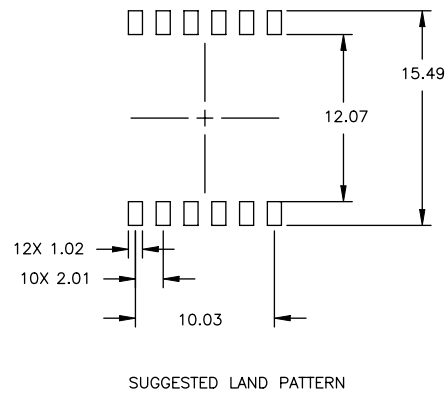
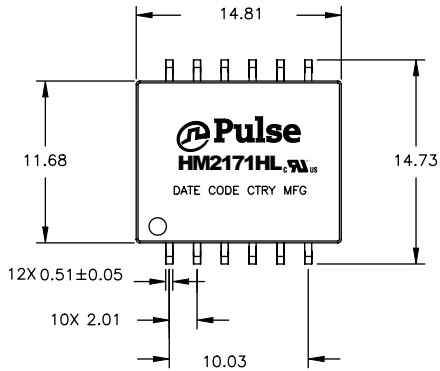
1. Storage Temperature: -50°C to +125°C
2. Compliance to J-STD:
 - A. J-STD-002: Solderability at 245°C Reflow Profile
 - B. J-STD-020: Moisture Sensitive Level 1
 - C. J-STD-075: R7, 245°C Maximum Through Reflow Solder
3. The HL suffix part comes in Tubes with 35pcs per tube. To order tape and reel packaging add a 'T' suffix to the part number (ie: HM2171HL becomes H2171HLT). Quantity per reel is 350pcs/reel.
4. Header: DAP (Diallyl Phthalate) with flammability Rating UL 94V-0 or better
5. Lead Frame: Cooper Alloy
Under plated: Half Hard Ductile Nickel 50-100" (1.3-2.5um)
Over plated : 100% Tin electro-deposited per ASTM B545 300 - 50u"(8-13um)
Finish : Matte finish 100% Tin solder
6. AEC-Q200 Qualified, PPAP on request

Halogen Free BMS Transformer

Approved for ADBM6830 16-channel multicell battery monitor IC

MECHANICAL

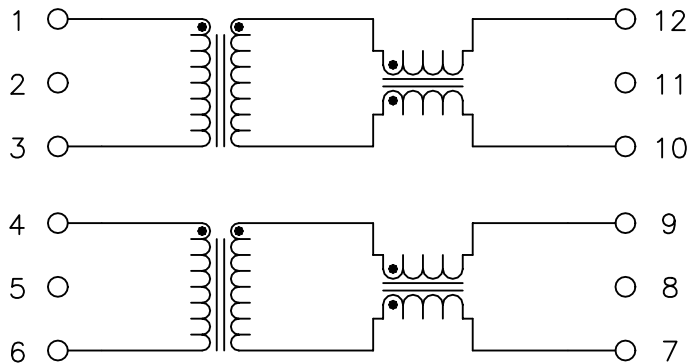
HM2171HL



Dimensions:
Unless otherwise specified,
all tolerances are $\pm 0,25$

SCHEMATIC

HM2171HL

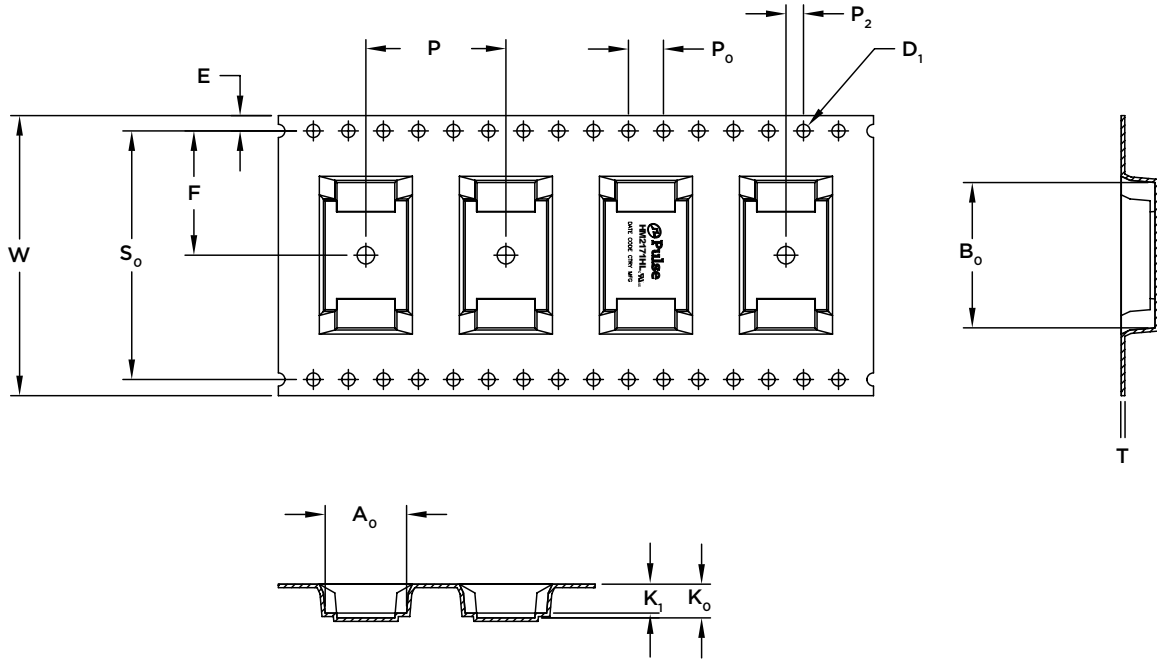


Halogen Free BMS Transformer

Approved for ADBM6830 16-channel multicell battery monitor IC

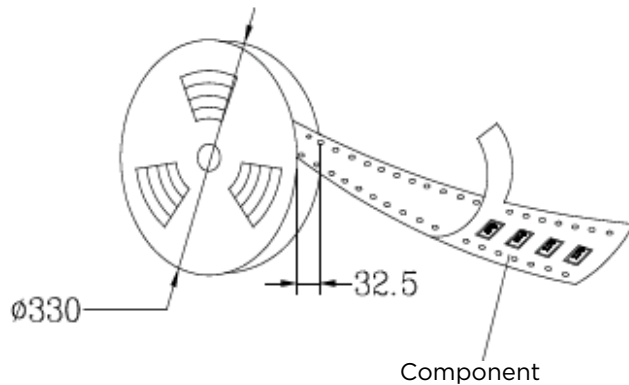
TAPE & REEL

HM2171HL



W	32.0±0.30	P	16.00	A ₀	9.30	B ₀	16.60
S ₀	28.40	P ₀	4.00	A ₁	-----	B ₁	-----
E	1.75	P ₂	2.00	A ₂	-----	B ₂	-----
F	14.20	D ₀	-----	K ₀	3.85	K ₁	3.30
T	0.40±0.05	D ₁	1.50 ±0.10 -0.00				UNIT: mm

All Dimensions meet EIA-481-D requirements.



1. **Material:** Black Conductive Polystyrene
2. **Components per Reel:** 1000 pcs
3. **Quantity per box:** 5x reels = 5000 pcs

For More Information:

Americas - prod_info_network_americas@yageo.com | Europe - prod_info_network_emea@yageo.com | Asia - prod_info_network_apac@yageo.com

Performance warranty of products offered on this data sheet is limited to the parameters specified. Data is subject to change without notice. Other brand and product names mentioned herein may be trademarks or registered trademarks of their respective owners. © Copyright, 2023. Pulse Electronics, Inc. All rights reserved.