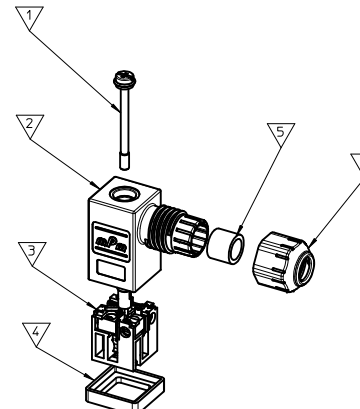


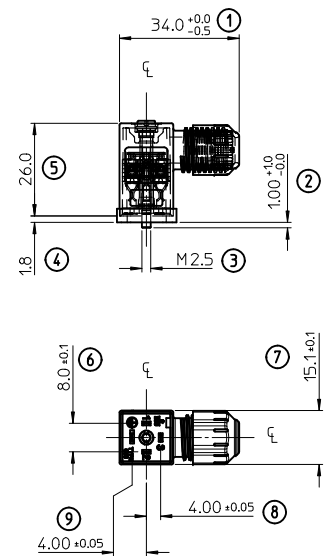
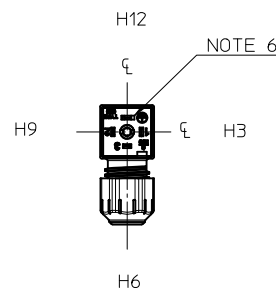
Part No	MPM Part No	DESCRIPTION
1212040001	C25200N0T	FORM C 2 POLE BLACK NBR GASKET
1212040002	C25200G0T	FORM C 2 POLE GREY NBR GASKET
1212040003	C25200W0T	FORM C 2 POLE BLACK V0 NBR GASKET
1212040004	C25200T0T	FORM C 2 POLE TRANSPARENT NBR GASKET
1212040005	C25300N0T	FORM C 3 POLE BLACK NBR GASKET
1212040006	C25300G0T	FORM C 3 POLE GREY NBR GASKET
1212040007	C25300W0T	FORM C 3 POLE BLACK V0 NBR GASKET
1212040008	C25300T0T	FORM C 3 POLE TRANSPARENT NBR GASKET
1212040009	C25200N0TCN	FORM C 2 POLE EXT ASY BLK PA6 BULK
1212040010	C25200N2TSN	FORM C 2 POLE EXT ASY BLK PA6 BULK MOUNTED
1212040011	C25300N2TSN	FORM C 3 POLE EXT ASY BLK PA6 BULK MOUNTED

ITEM	DESCRIPTION
1	SCREW
2	EXTERNAL THREAD COVER
3	INSERT
4	GASKET
5	GROMMET
6	EXTERNAL THREAD NUT



C25200N0T * *

SERIES _____
 C25= EXTERNAL THREAD FORM C
 POLES _____
 2= 2 POLE & 3= 3 POLE
 THREAD _____
 00 = EXTERNAL THREAD
 MATERIAL AND HOUSING COLOR _____
 G= PA6 GRAY, N= PA6 BLACK, W= PA6 BLACK V0, T= TRANSPARENT
 GROUND POSITION _____
 0= UNMOUNTED, 2= H12, 3=H3, 6 =H6 & 9= H9
 SCREW AND GASKET _____
 U= PROFILE SILICON GASKET AND IP67 SCREW
 T= PROFILE NBR GASKET AND IP67 SCREW
 NON STANDARD PACKAGING _____
 CN= BULK PACK UN-MOUNTED
 SN= BULK PACK MOUNTED
 67= NEUTRAL PACKAGING



NOTES:

- FOR SPECIFIC PART NUMBERS PLEASE CONTACT SALES OR CONSULT THE INTELLIGENT PART NUMBERS IN THE TABLE ATTACHED
- PACKAGING SPECIFICATION: PLEASE SEE PK-121204-001
- PRODUCT SPECIFICATION: PLEASE SEE PS-121201-001
- CABLE SIZES 3 - 5.5 MM DIAMETER
- TIGHTENING TORQUES: SEE PS-121201-001
- GROUND POSITION SHOWN H12

LAST INSPECTION NUMBER 9

ADDED PART No EC NO: WEU2011-0474 2011/03/15 DRAWN BY: DRWINDSHEA 2011/03/15 CHKD:DMAHER 2011/03/15 APPR:EFOLAN 2011/04/04	QUALITY SYMBOLS ▽=0 ▽=0	GENERAL TOLERANCES (UNLESS SPECIFIED)		DIMENSION STYLE MM ONLY		SCALE 1:1	DESIGN UNITS METRIC	THIRD ANGLE PROJECTION
		4 PLACES ± --- ± --- 3 PLACES ± --- ± --- 2 PLACES ± 0.1 ± --- 1 PLACE ± 0.2 ± --- ANGULAR ± ---°	mm INCH ± --- ± --- ± 0.1 ± --- ± 0.2 ± --- ± ---°	DRAWN BY DMAHER_WEU 2010/03/12	DATE 2010/03/12	TITLE EXTERNAL THREAD C25 SERIES 121204		APPROVED BY JWALLACE 2010/03/24
DRAFT WHERE APPLICABLE MUST REMAIN WITHIN DIMENSIONS		SEE TABLE		MATERIAL NO.		DOCUMENT NO. SD-121204-001		SHEET NO. 1 OF 1
THIS DRAWING CONTAINS INFORMATION THAT IS PROPRIETARY TO MOLEX INCORPORATED AND SHOULD NOT BE USED WITHOUT WRITTEN PERMISSION								