



IOLP2ZZ-M3201 (SICK Memory Stick)



Ordering information

Type	Part no.
IOLP2ZZ-M3201 (SICK Memory Stick)	1064290

Other models and accessories → www.sick.com/



Detailed technical data

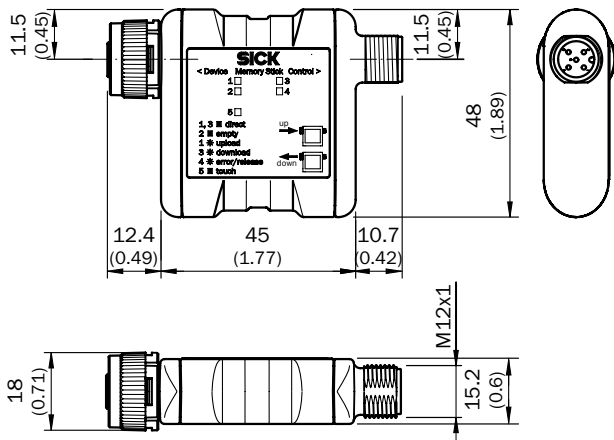
Technical specifications

Accessory family	Cloning modules
Enclosure rating	IP67
Description	IO-Link version V1.1, Port class 2, PIN 2, 4, 5 galvanically connected, Supply voltage 18 V DC ... 32 V DC (limit values, operation in short-circuit protected network max. 8 A)

Classifications

eCl@ss 5.0	27279214
eCl@ss 5.1.4	27279214
eCl@ss 6.0	27279214
eCl@ss 6.2	27279214
eCl@ss 7.0	27279214
eCl@ss 8.0	27279214
eCl@ss 8.1	27279214
eCl@ss 9.0	27242602
eCl@ss 10.0	27242602
eCl@ss 11.0	27242602
eCl@ss 12.0	27242602
ETIM 5.0	EC001597
ETIM 6.0	EC001597
ETIM 7.0	EC001597
ETIM 8.0	EC001597
UNSPSC 16.0901	32151705

Dimensional drawing (Dimensions in mm (inch))



SICK AT A GLANCE

SICK is one of the leading manufacturers of intelligent sensors and sensor solutions for industrial applications. A unique range of products and services creates the perfect basis for controlling processes securely and efficiently, protecting individuals from accidents and preventing damage to the environment.

We have extensive experience in a wide range of industries and understand their processes and requirements. With intelligent sensors, we can deliver exactly what our customers need. In application centers in Europe, Asia and North America, system solutions are tested and optimized in accordance with customer specifications. All this makes us a reliable supplier and development partner.

Comprehensive services complete our offering: SICK LifeTime Services provide support throughout the machine life cycle and ensure safety and productivity.

For us, that is “Sensor Intelligence.”

WORLDWIDE PRESENCE:

Contacts and other locations –www.sick.com