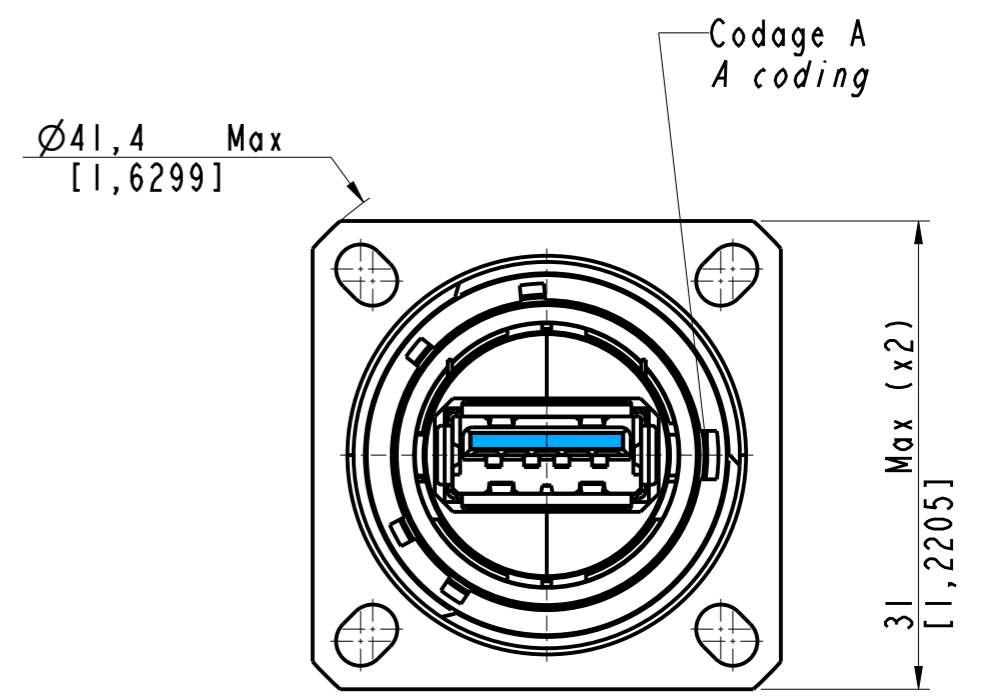
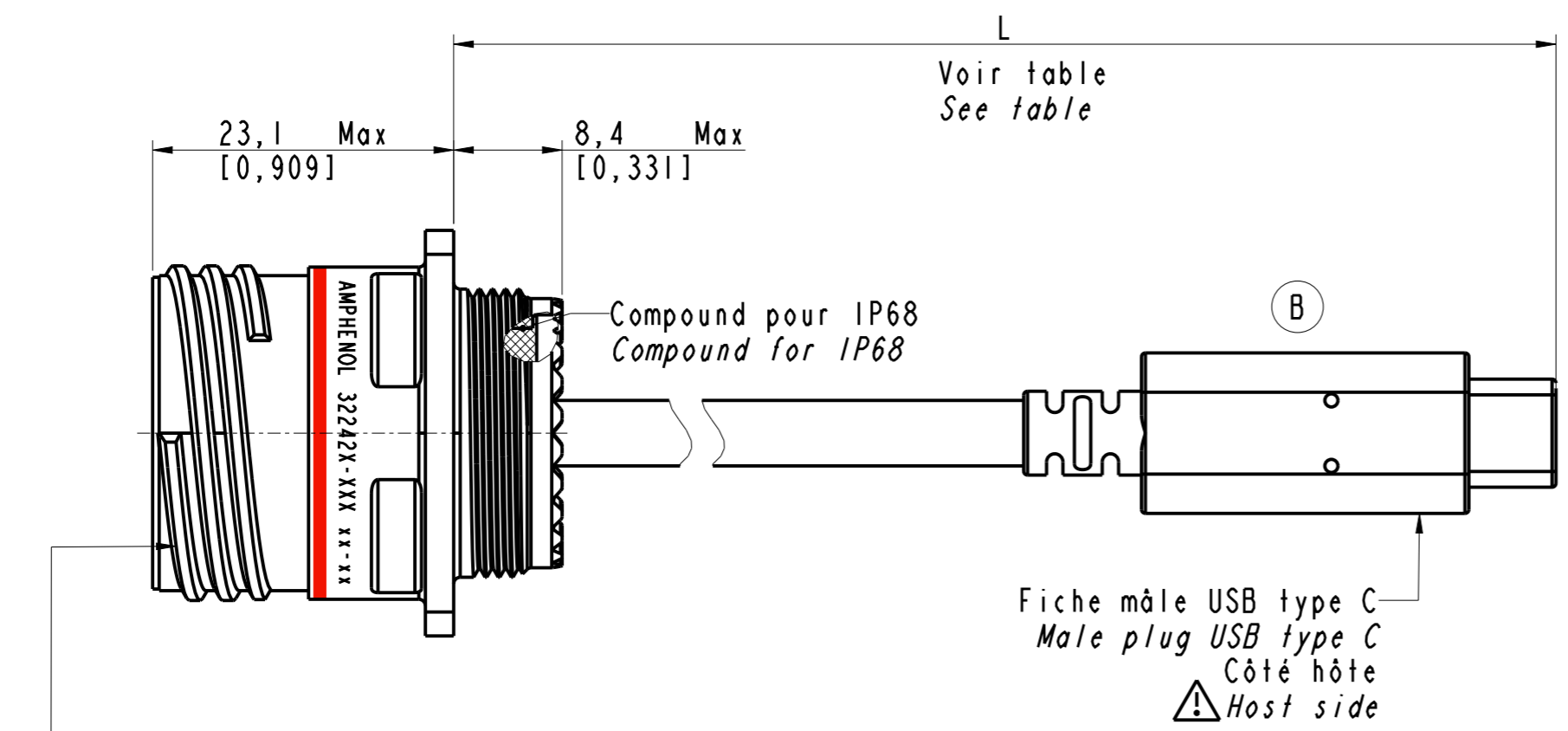


IN THE CONSTANT PURPOSE OF IMPROVING ITS PRODUCTS, Amphenol Socapex RESERVES THE RIGHT TO MODIFY ANY DIMENSION OR CHARACTERISTICS. FM.NPD.0076.THYZE.PUNE rev B



⚠ Embase USB3A  
USB3 A receptacle  
Côté périphérique  
Device side

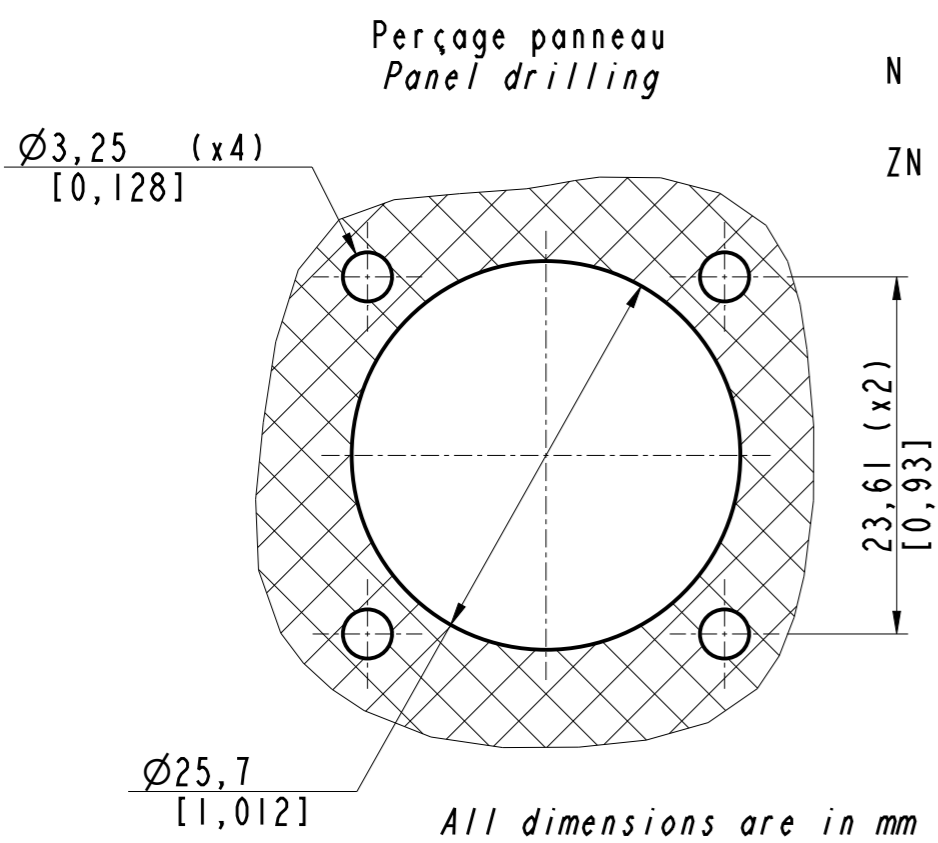
Fiche mâle USB type C  
Male plug USB type C  
Côté hôte  
⚠ Host side

# 32242X-XXX

- G Protection cadmium vert olive (non RoHS)  
*Olive drab cadmium plating (not RoHS)*
- N Protection nickel (RoHS)  
*Nickel plating (RoHS)*
- ZN Protection zinc nickel noir (RoHS)  
*Black zinc nickel plating (RoHS)*

Longueur  
Voir tableau  
Length  
See table

Références References	Longueur Length
015	150 $+10_0$ [5,9 $+0,4_0$ ]
030	300 $+10_0$ [11,8 $+0,4_0$ ]
050	500 $+10_0$ [19,7 $+0,4_0$ ]
100	1000 $+20_0$ [39,4 $+0,8_0$ ]



Perçage panneau  
Panel drilling

**Nota / Note :**

Le contact 4 (GND), 7 (Drain) et shield sont reliés ensemble.  
Contact 4 (GND), 7 (Drain) and shield are connected together.

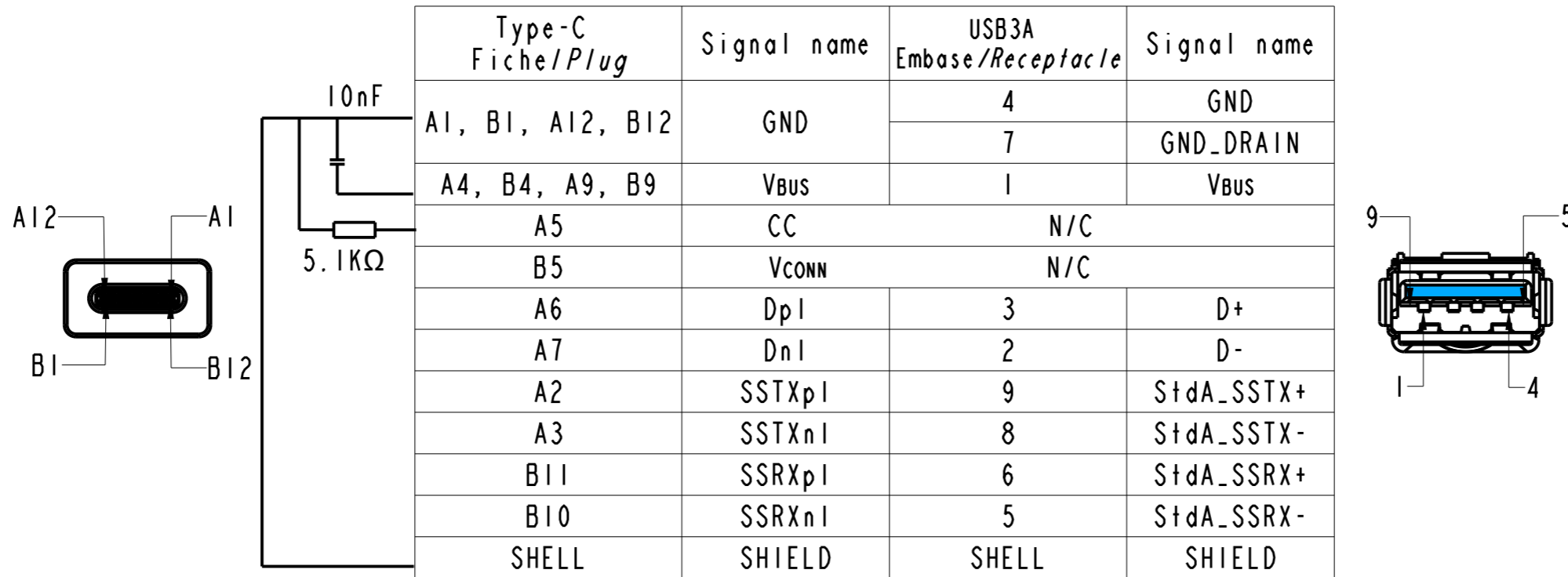
All dimensions are in mm / [inches]

APPROVAL FOR MANUFACTURING Add missing specifications on the drawing if necessary (specific labellings, tolerances,...)		DRAWN BY : S. FALCOZ	UPDATED BY: F.ROCH	LAST APPROVED BY: S.FALCOZ	
CUSTOMER :	Name : _____ Date : _____	ALL DIMENSIONS ARE IN MM		ORIGINAL DRAWING DATE : 14/03/23	CONFIGURATION DATA ARE AVAILABLE IN PDM
PROGRAM :				REV : B	PAGE : 1/2
CUSTOMER SIGNATURE		SCALE : 2,0		191-PLC-1218-00	
		AMPHENOL SOCAPEX		B.P. 29 74311 THYZE CEDEX	

IN THE CONSTANT PURPOSE OF IMPROVING ITS PRODUCTS, Amphenol Socapex RESERVES THE RIGHT TO MODIFY ANY DIMENSION OR CHARACTERISTICS.  
FM.NPD.0076.THYZE.PUNE rev B

Assignement des contacts  
Pin Assignment

⚠ Câblage droit / Straight cabling



APPROVAL FOR MANUFACTURING Add missing specifications on the drawing if necessary (specific labellings, tolerances,...)		DRAWN BY : S. FALCOZ	UPDATED BY: F.ROCH	LAST APPROVED BY: S.FALCOZ
CUSTOMER :	Name : _____ Date : _____	ALL DIMENSIONS ARE IN MM	<b>AMPHENOL SOCAPEX</b>	ORIGINAL DRAWING DATE : 14/03/23
PROGRAM :				CONFIGURATION DATA ARE AVAILABLE IN PDM
CUSTOMER SIGNATURE		SCALE : 1,0	B.P. 29 74311 THYZE CEDEX	REV : B PAGE : 2/2
		⊕		<b>191-PLC-1218-00</b>