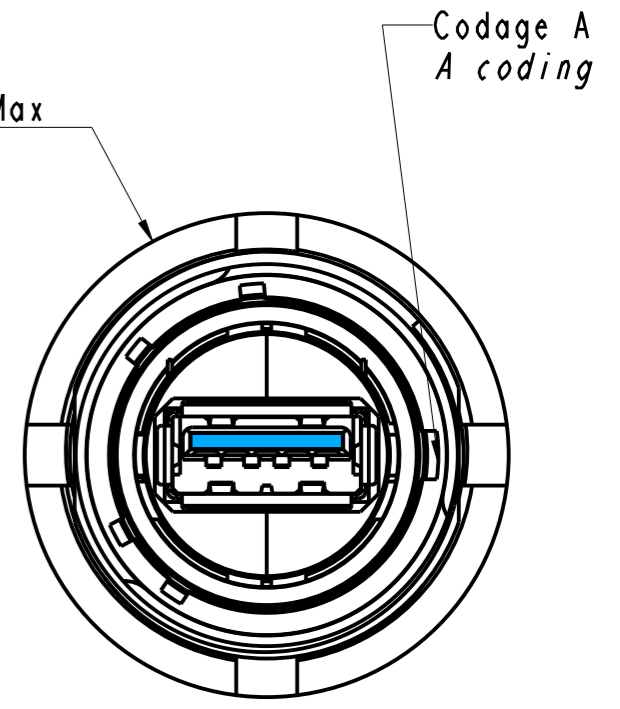
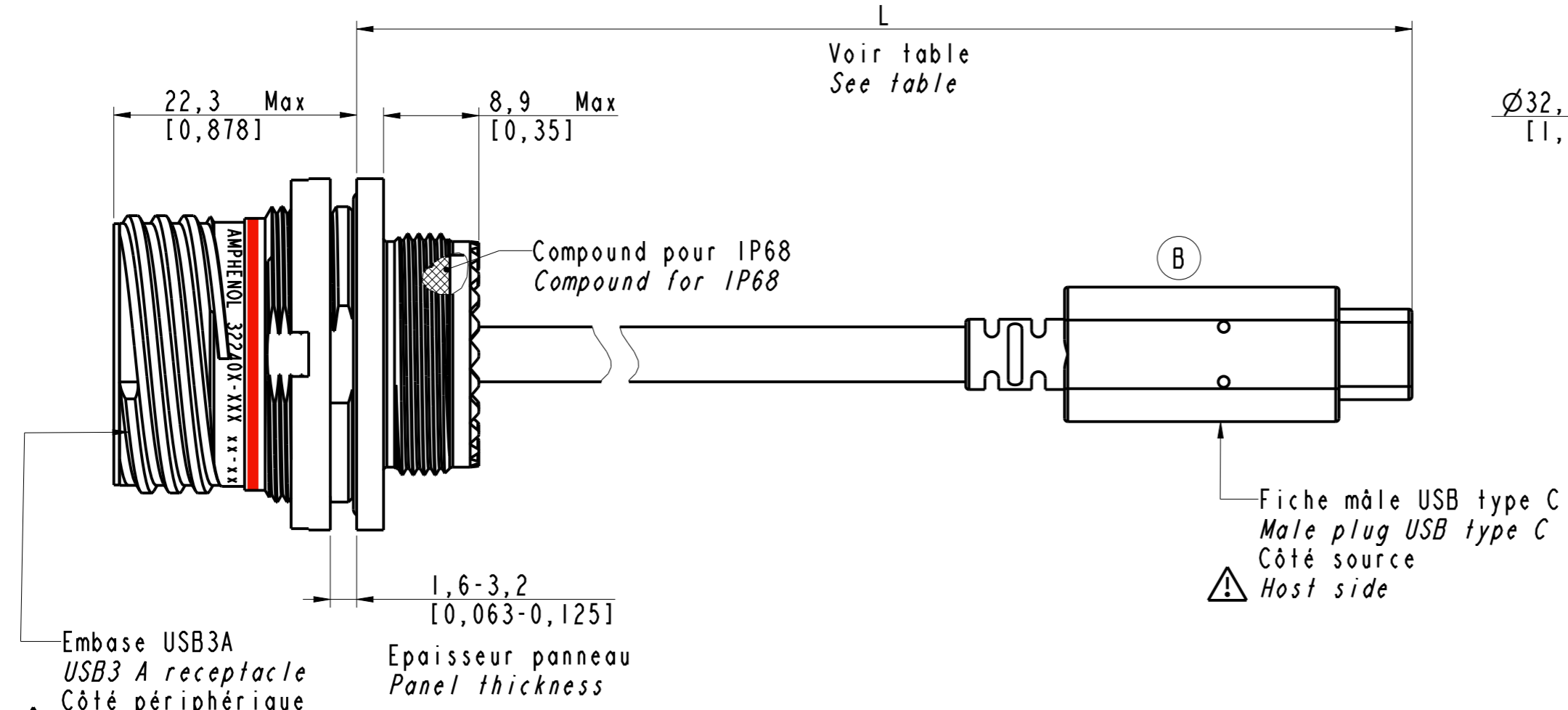


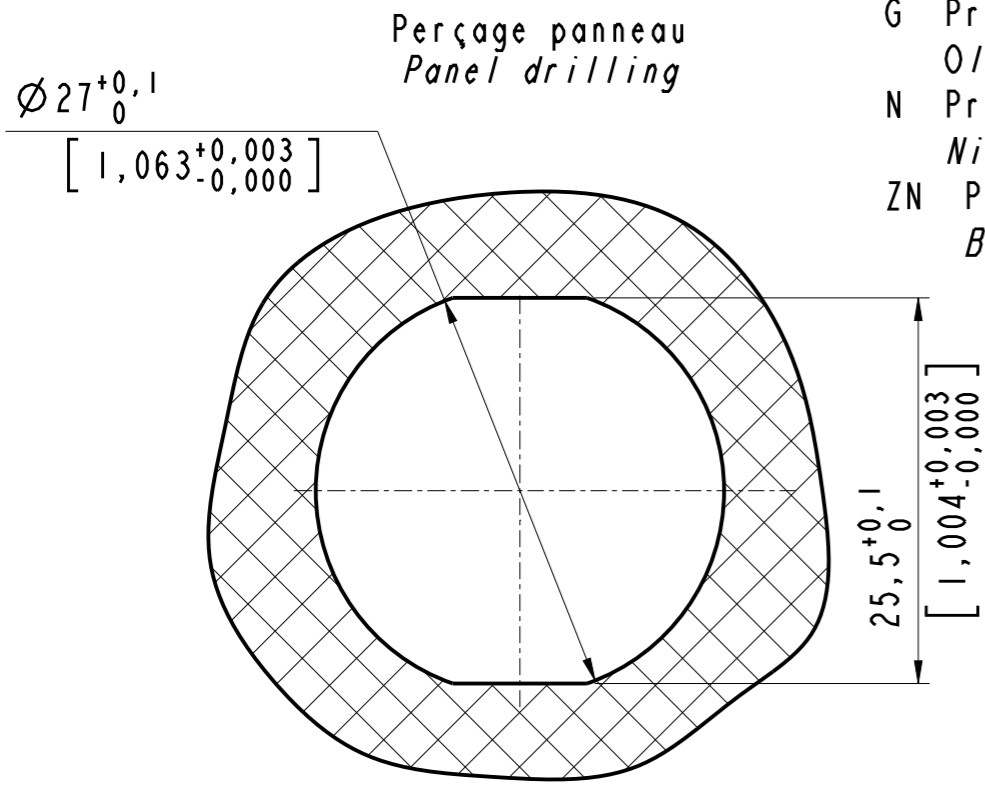
IN THE CONSTANT PURPOSE OF IMPROVING ITS PRODUCTS, Amphenol Socapex RESERVES THE RIGHT TO MODIFY ANY DIMENSION OR CHARACTERISTICS. FM.NPD.0076.THYZE.PUNE rev B



# 32240X-XXX

- G Protection cadmium vert olive (non RoHS) / Olive drab cadmium plating (not RoHS)
  - N Protection nickel (RoHS) / Nickel plating (RoHS)
  - ZN Protection zinc nickel noir (RoHS) / Black zinc nickel plating (RoHS)
- Longueur / Voir tableau / Length / See table

Références / References	Longueur / Length
015	$150^{+10}_0$ [5,9 $^{+0,4}_0$ ]
030	$300^{+10}_0$ [11,8 $^{+0,4}_0$ ]
050	$500^{+10}_0$ [19,7 $^{+0,4}_0$ ]
100	$1000^{+20}_0$ [39,4 $^{+0,8}_0$ ]



Nota / Note :  
 Le contact 4 (GND), 7 (Drain) et shield sont reliés ensemble.  
 Contact 4 (GND), 7 (Drain) and shield are connected together.

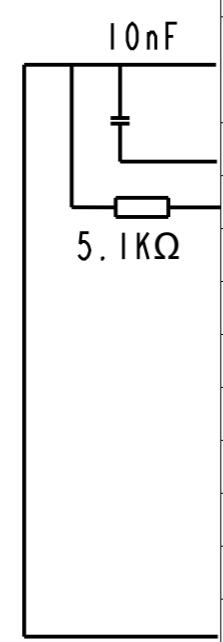
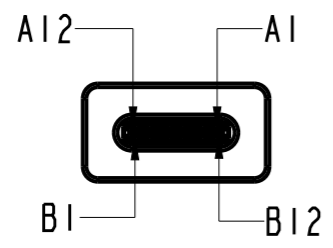
All dimensions are in mm / [inches]

APPROVAL FOR MANUFACTURING Add missing specifications on the drawing if necessary (specific labellings, tolerances,...)		DRAWN BY : S. FALCOZ	UPDATED BY: F.ROCH	LAST APPROVED BY: S.FALCOZ	
CUSTOMER :	Name : _____ Date : _____	ALL DIMENSIONS ARE IN MM	AMPHENOL SOCAPEX	ORIGINAL DRAWING DATE : 14/03/23	CONFIGURATION DATA ARE AVAILABLE IN PDM
PROGRAM :				REV : B	PAGE : 1/2
CUSTOMER SIGNATURE		SCALE : 2,0	B.P. 29 74311 THYZE CEDEX	191-PLC-1216-00	

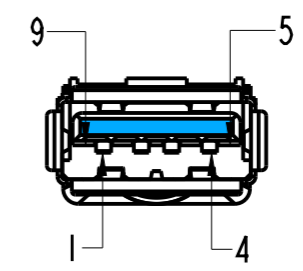
IN THE CONSTANT PURPOSE OF IMPROVING ITS PRODUCTS, Amphenol Socapex RESERVES THE RIGHT TO MODIFY ANY DIMENSION OR CHARACTERISTICS.  
FM.NPD.0076.THYZE.PUNE rev B

Assignement des contacts  
Pin Assignment

⚠ Câblage droit / Straight cabling



Type-C Fiche/Plug	Signal name	USB3A Embase/Receptacle	Signal name
A1, B1, A12, B12	GND	4	GND
		7	GND_DRAIN
A4, B4, A9, B9	Vbus	1	Vbus
A5	CC	N/C	
B5	VCONN	N/C	
A6	Dp1	3	D+
A7	Dn1	2	D-
A2	SSTXp1	9	StdA_SSTX+
A3	SSTXn1	8	StdA_SSTX-
B11	SSRXp1	6	StdA_SSRX+
B10	SSRXn1	5	StdA_SSRX-
SHELL	SHIELD	SHELL	SHIELD



<b>APPROVAL FOR MANUFACTURING</b> Add missing specifications on the drawing if necessary (specific labellings, tolerances,...)		DRAWN BY : S. FALCOZ	UPDATED BY: F.ROCH	LAST APPROVED BY: S.FALCOZ
CUSTOMER : PROGRAM : Name : _____ Date : _____	ALL DIMENSIONS ARE IN MM SCALE : 2,0 	<b>AMPHENOL SOCAPEX</b> B.P. 29 74311 THYZE CEDEX		ORIGINAL DRAWING DATE : 14/03/23 CONFIGURATION DATA ARE AVAILABLE IN PDM REV : B PAGE : 2/2
CUSTOMER SIGNATURE _____				<b>191-PLC-1216-00</b>